

PRODUCT INFORMATION PACKET

marathon[®]
Motors

Model No: 515396F-Y
Catalog No: 515396F-Y
B-515396F-Y C BOX BASE/(2)2"NPT

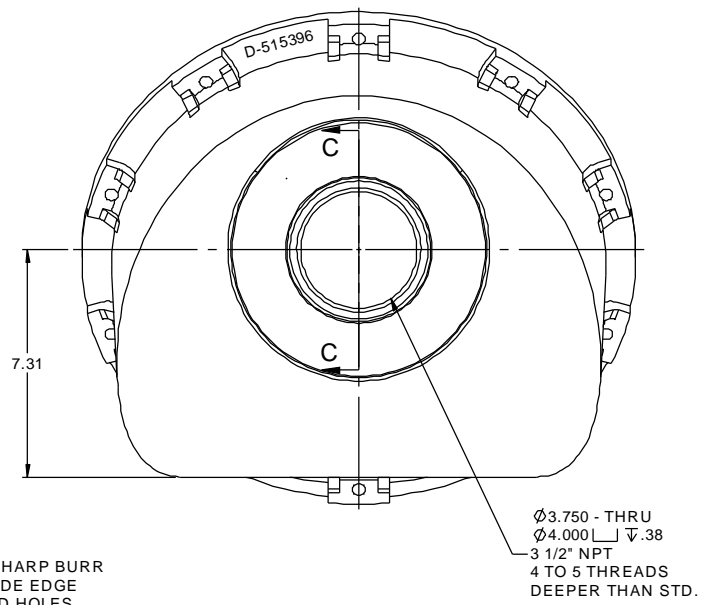
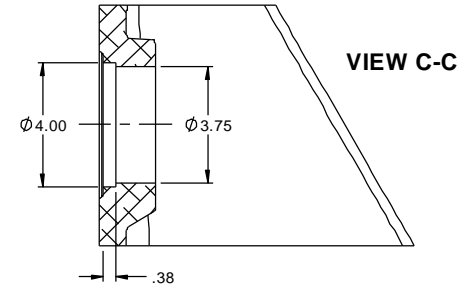
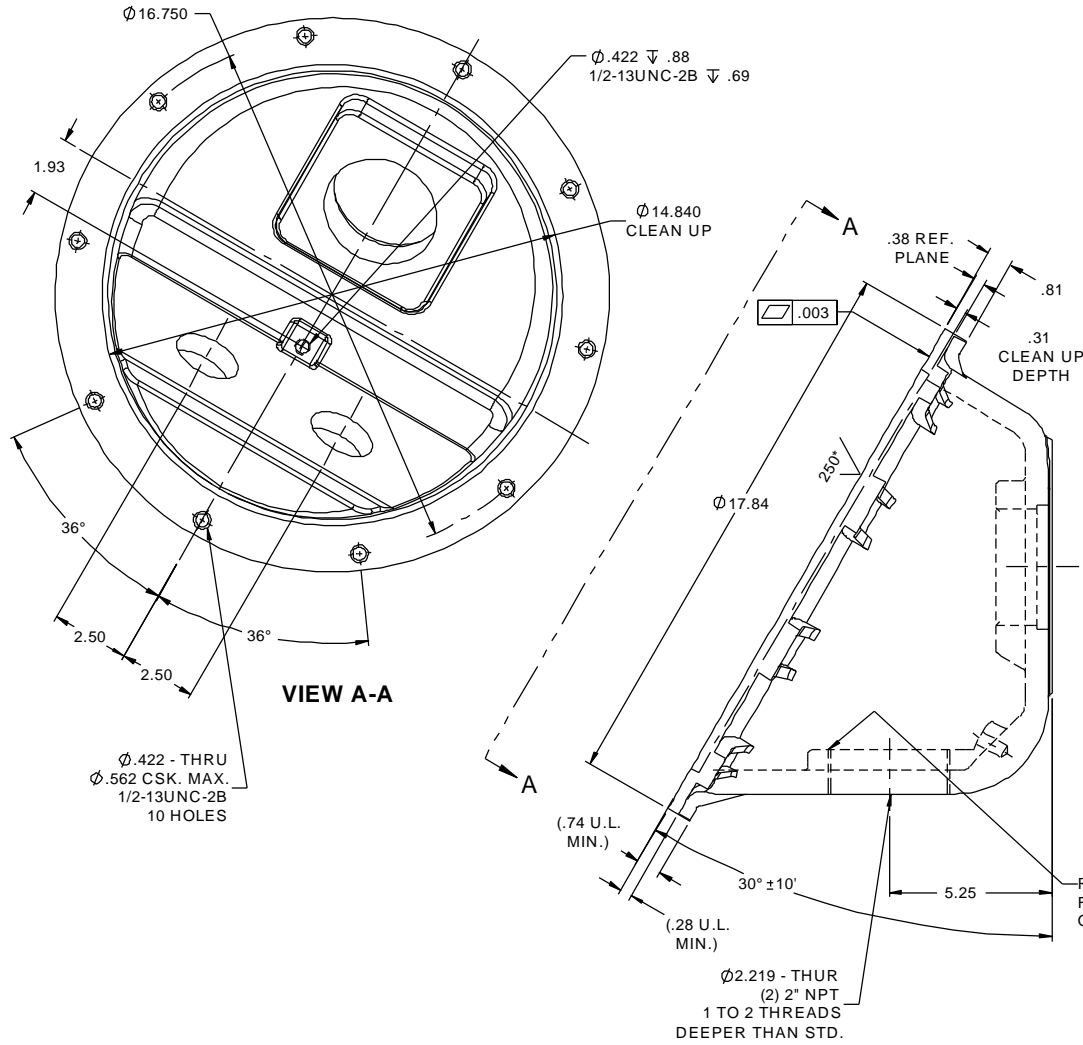
Regal and Marathon are trademarks of Regal Rexnord Corporation or one of its affiliated companies.
©2025 Regal Rexnord Corporation, All Rights Reserved. MC017097E

RegalRexnord

Nameplate Specifications

Technical Specifications

This is an uncontrolled document once printed or downloaded and is subject to change without notice. Date Created:04/05/2025



* IF POROSITY IS PRESENT ON MACHINED SURFACES NOTED BY ∇ PER U.L. THE PART IS TO BE SCARPED.

(U.L. MINIMUM WALL THICKNESS = .630 UNLESS OTHERWISE SPECIFIED.)

TOLERANCES UNLESS SPECIFIED		REGAL Regal-Beloit Corporation	DRAWN HV 07-05-2013	
DEC	INCHES			CHK MH 07-15-2013
X	±.1	TITLE MACHINING CONDUIT BOX 360-440 FR. EX. PR.	APPR DJK 07-15-2013	
XX	±.02		SCALE 1:4	
XXX	±.005		REF	
XXXX	±.0005		MATL	FMF MU114264
			FINISH	PAGE OF
NO	REVISION	BY & DATE	CHK ANG ±7'30"	
		RFP	PREV	
THIRD ANGLE PROJECTION		NETWORK FILE NAME 515396F	SIZE B	
			DRAWING NO 515396F	
			REV	