

PRODUCT INFORMATION PACKET

marathon[®]
Motors

Model No: 201001H-AV
Catalog No: 201001H-AV
B-201001H-AV FAN GUARD/CENTERED BRUSH

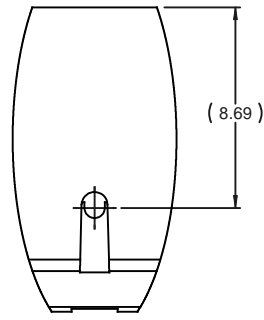
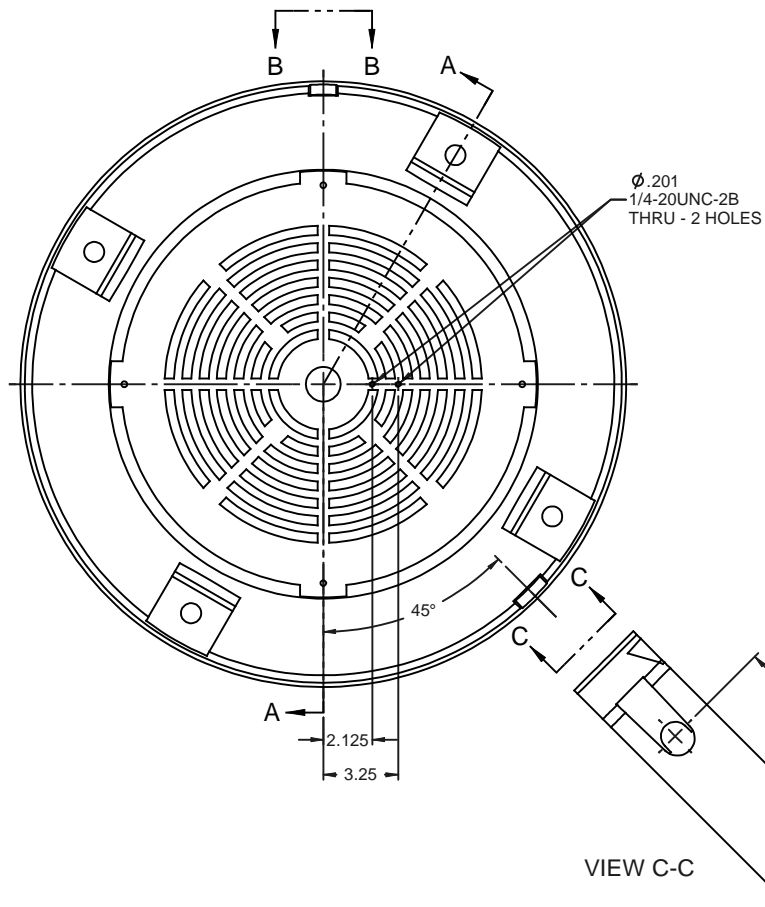
Regal and Marathon are trademarks of Regal Rexnord Corporation or one of its affiliated companies.
©2025 Regal Rexnord Corporation, All Rights Reserved. MC017097E

The logo for Regal Rexnord, featuring a stylized 'R' icon followed by the text 'RegalRexnord'.

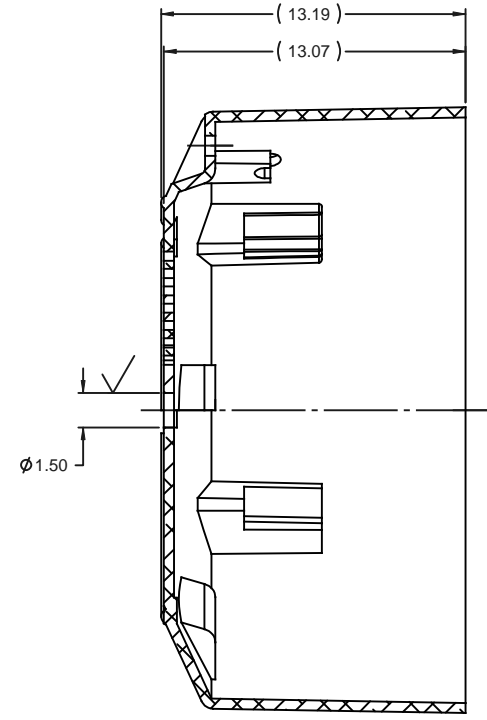
Nameplate Specifications

Technical Specifications

This is an uncontrolled document once printed or downloaded and is subject to change without notice. Date Created:04/05/2025



VIEW B-B



SECTION A-A

REQUIRES SPECIAL MACHINING
OF BRACKET MOUNTING HOLES

(USE BRUSH HOLDER: B-93163)

TOLERANCES UNLESS SPECIFIED		REGAL-BELOIT CORPORATION		DRAWN JJB 12-16-2008	
DEC	INCHES	CHK	ANG	APPR	MH 12-16-2008
X	±.1				
XX	±.02				
XXX	±.005				
XXXX	±.0005				
TITLE FAN GUARD MACHINING - VERTICAL MTG. 440 FR. - GROUND BRUSH CENTERED		MATERIAL		SCALE 3:16	
FINISH 200 UNLESS OTHERWISE SPECIFIED		REF		CSTG. D-20100	
NO REVISION		BY & DATE		FMF MU89049	
THIRD ANGLE PROJECTION		RFP 12-16-2008		PAGE OF	
NETWORK FILE NAME 201001H		PREV		DRAWING NO	
		SIZE B		201001H	
				REV	