

PRODUCT INFORMATION PACKET

Model No: V308M2

Catalog No: V308M2

General Purpose Farm Duty Motor, 5.5 HP, 1 Ph, 60 Hz, 230 V, 1200 RPM, 215T Frame, DP



Regal and are trademarks of Regal Rexnord Corporation or one of its affiliated companies.
©2022 Regal Rexnord Corporation, All Rights Reserved. MC017097E

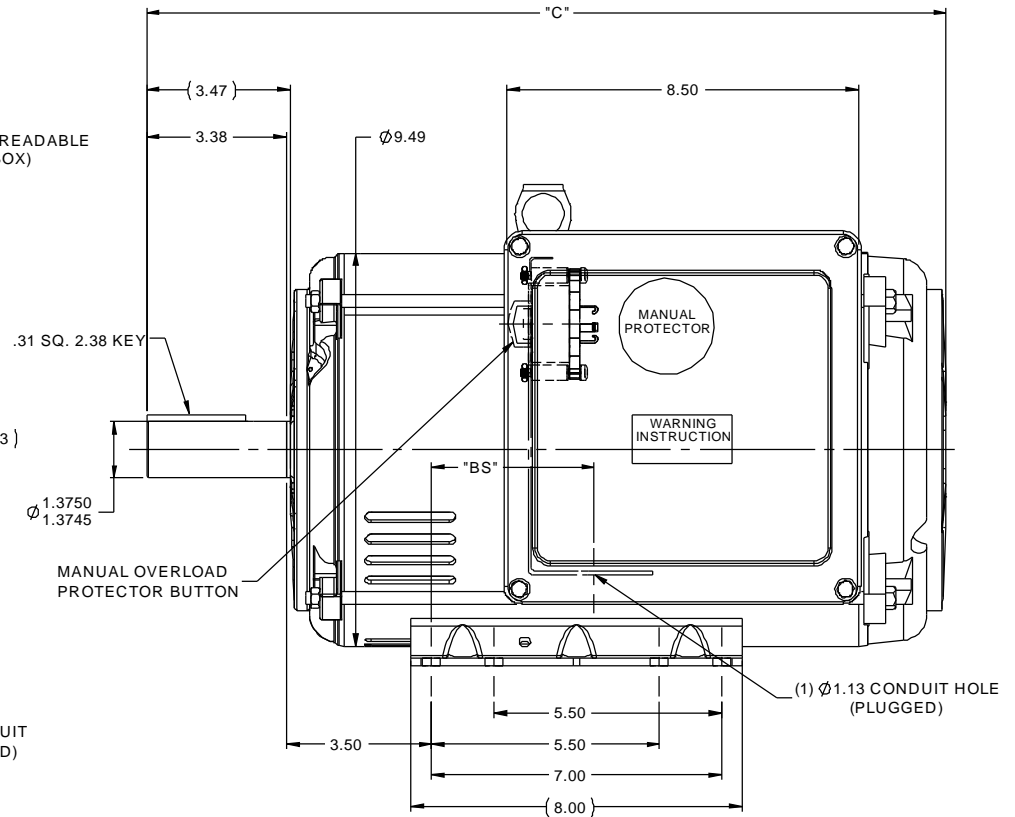
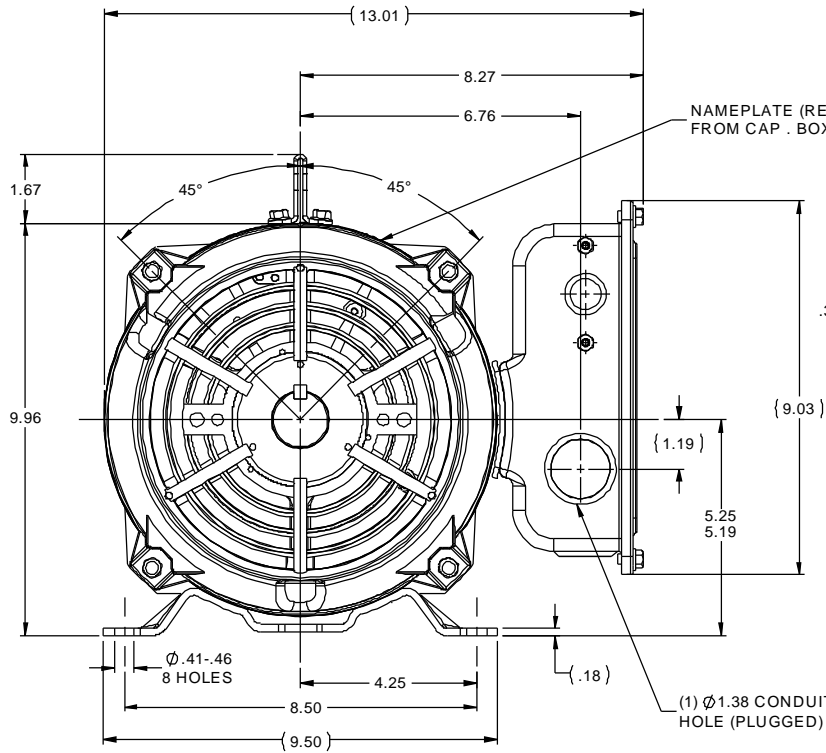
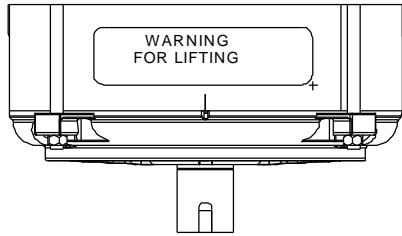
Nameplate Specifications

Output HP	5.5 Hp	Output KW	4.1 kW
Frequency	60 Hz	Voltage	230 V
Current	22 A	Speed	1165 rpm
Service Factor	1	Phase	1
Duty	Continuous	Insulation Class	F
Frame	215T	Enclosure	Drip Proof
Thermal Protection	Manual	Ambient Temperature	40 °C
UL	Recognized	CSA	Y
CE	N	Number of Speeds	1

Technical Specifications


Electrical Type	Capacitor Start Capacitor Run	Starting Method	Across The Line
Poles	6	Rotation	Selective Counterclockwise
Mounting	Rigid Base	Drive End Bearing	Ball
Opp Drive End Bearing	Ball	Frame Material	Rolled Steel
Shaft Type	Keyed	Overall Length	19.31 in
Frame Length	12.40 in	Shaft Diameter	1.375 in
Shaft Extension	3.47 in		
Outline Drawing	037826CY	Connection Drawing	A-EE9048MT-CY

This is an uncontrolled document once printed or downloaded and is subject to change without notice. Date Created:09/08/2022

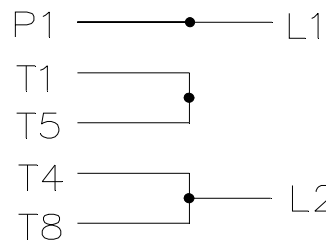


NOTES:
1. NAMEPLATE TO BE READ FROM C'BOX SIDE OF MOTOR

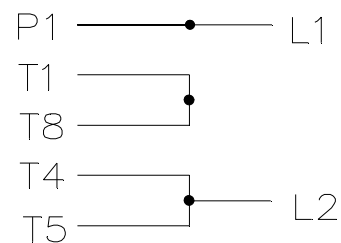
DASH	FRAME	C	BS
965	213T	16.56	1.18
1115	213/15T	18.06	2.68
1240	213/15T	19.31	3.93

		TOLERANCES UNLESS SPECIFIED				DRAWN GR 21/01/12	
		DEC	INCHES			CHK SR 21/01/12	
		X	±.1	TITLE OUTLINE - 210T		APPR	
		XX	±.02	DP - RIGID - STD - F2 - 1PH		SCALE 1:4	
		XXX	±.005	MAT'L		REF	
		XXXX	±.0005	FINISH		FMF	
		XXXXX	±.0001	PREV		PAGE OF	
NO	REVISION	BY & DATE	CHK LANG	±.730"	FINISH	SIZE	DRAWING NO
	THIRD ANGLE PROJECTION		RFP	PREV	NETWORK FILE NAME 037826CY	B	037826CY
							REV

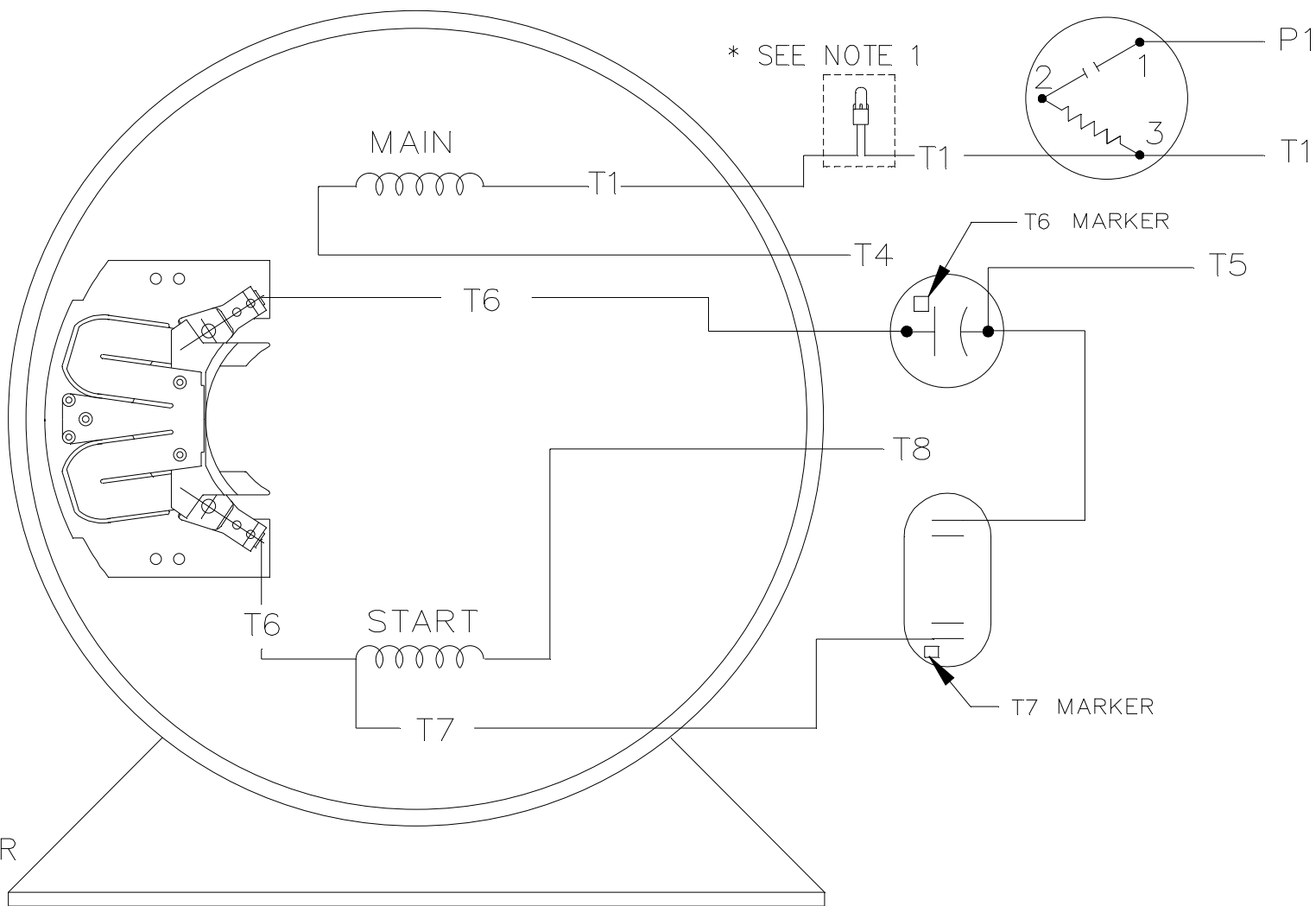
C.W. ROTATION



C.C.W. ROTATION



SINGLE VOLTAGE
CAPACITOR START
CAPACITOR RUN
REVERSIBLE



VIEW OF TERMINAL END

180 - 210 SWITCH

TOLERANCES
UNLESS SPECIFIED

DEC. INCHES

.X ±.1

.XX ±.02

.XXX ±.005

.XXXX ±.0005

ANG ±7'30"



TITLE CONNECTION DIAGRAM

DRAWN ML 04-11-1998

CHK CK 04-11-1998

APPD MS 04-11-1998

SCALE 1=1

REF

FMF

PREV

1 ADDED PRESSURE CONNECTOR IN MT2 MODEL

NB 10/5/2011

AK

.XXXX ±.0005

MAT'L.

NO. REVISION

BY & DATE

CHK

ANG ±7'30"

FINISH

THIS DRAWING IN DESIGN AND DETAIL IS OUR PROPERTY AND MUST NOT BE USED EXCEPT IN CONNECTION WITH OUR WORK ALL RIGHTS OF DESIGN AND INVENTION ARE RESERVED THIS IS AN ELECTRONICALLY GENERATED DOCUMENT - DO NOT SCALE THIS PRINT

RFP

CAD FILE EE9048MT

SIZE

DRAWING NO. PAGE OF REV.

DIST LB-LE

A

EE9048MT

1

•
•
•
•
•

