

PRODUCT INFORMATION PACKET

Model No: V201M2

Catalog No: V201M2

Air Compressor Motor, 3 HP, 1 Ph, 60 Hz, 115/230 V, 1800 RPM, 184T Frame, ODP



Regal and are trademarks of Regal Rexnord Corporation or one of its affiliated companies.
©2022 Regal Rexnord Corporation, All Rights Reserved. MC017097E

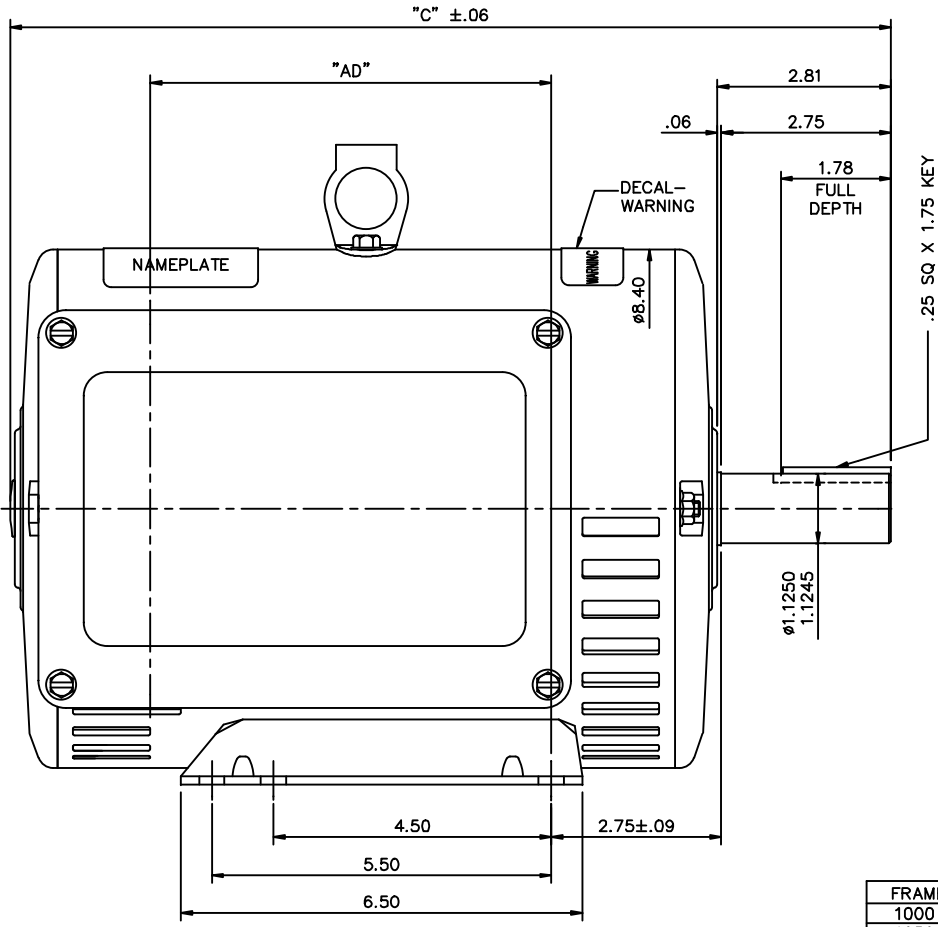
Nameplate Specifications

Output HP	3 Hp	Output KW	2.2 kW
Frequency	60 Hz	Voltage	115/230 V
Current	33.5/16.8 A	Speed	1747 rpm
Service Factor	1.15	Phase	1
Duty	Continuous	Insulation Class	F
Frame	184T	Enclosure	Open Drip Proof
Thermal Protection	No Protection	Ambient Temperature	40 °C
UL	Recognized	CSA	Y
CE	Y	Number of Speeds	1

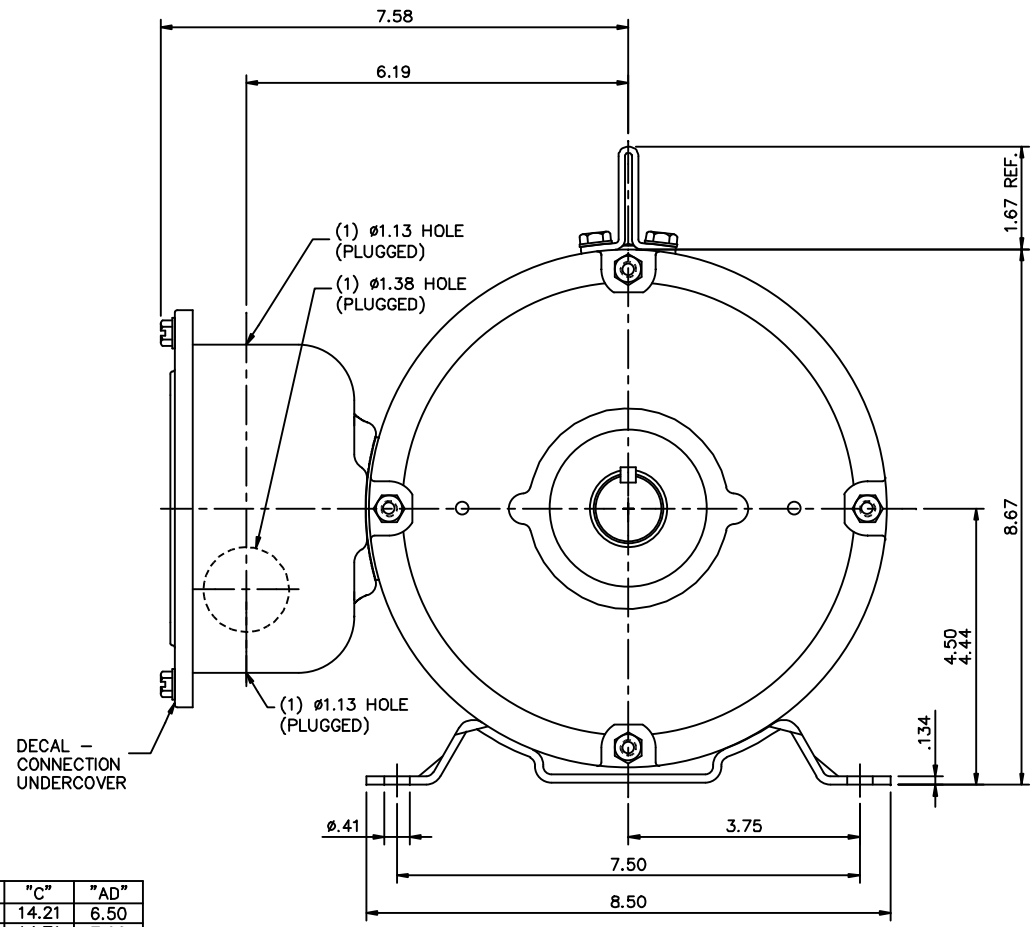
Technical Specifications

Electrical Type	Capacitor Start	Starting Method	Across The Line
Poles	4	Rotation	Counterclockwise
Mounting	Rigid Base	Drive End Bearing	Ball
Opp Drive End Bearing	Ball	Frame Material	Rolled Steel
Shaft Type	Keyed	Overall Length	14.21 in
Frame Length	10.00 in	Shaft Diameter	1.125 in
Shaft Extension	2.81 in		
Connection Drawing	005062.01CY	Outline Drawing	035655CY


This is an uncontrolled document once printed or downloaded and is subject to change without notice. Date Created:09/07/2022



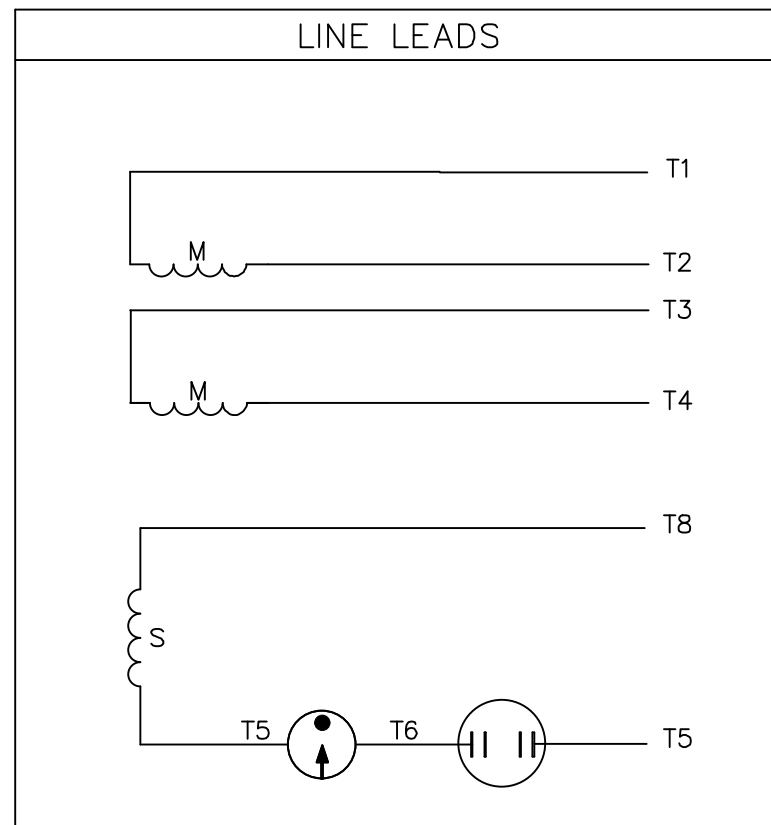
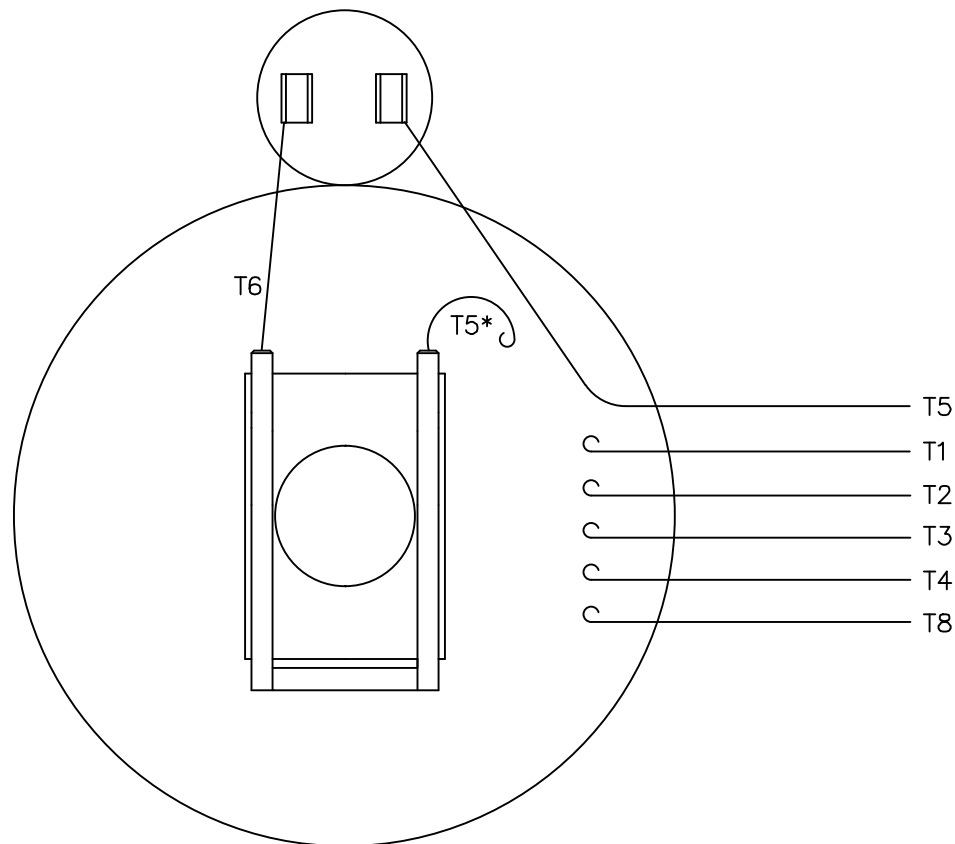
FRAME	"C"	"AD"
1000	14.21	6.50
1050	14.71	7.00
1100	15.21	7.50
1150	15.71	8.50
1200	16.21	9.00
1250	16.71	9.50



GASKETS THROUGHOUT

		TOLERANCES UNLESS SPECIFIED				DRAWN GR 07/17/12	
		DEC.	INCHES			CHK VS 07/17/12	
		.X	±.1	TITLE OUTLINE- 180T FRAME DRIP PROOF- RIGID		APPD	
		.XX	±.03			SCALE 1-2	
		.XXX	±.005			REF 035655	
01 UPDATED "AD" DIMENSION		VS 10/8/2012		MATT'L.		FMF V200	
NO.	REVISION	BY & DATE	CHK	ANG	FINISH	PREV	
THIS DRAWING IN DESIGN AND DETAIL IS OUR PROPERTY AND MUST NOT BE USED EXCEPT IN CONNECTION WITH OUR WORK ALL RIGHTS OF DESIGN AND INVENTION ARE RESERVED THIS IS AN ELECTRONICALLY GENERATED DOCUMENT - DO NOT SCALE THIS PRINT				RFP	CAD FILE	035655CY	SIZE B
				DIST	DRAWING NO. 035655CY		REV. 01

VIEW FROM OUTSIDE OF MOTOR AT SWITCH END.



	ROTATION FACING LEAD END	L1	L2	JOIN
HIGH VOLT	C.C.W.	T1	T4 T5	T2,T3 T8
	C.W.	T1	T4 T8	T2,T3 T5
LOW VOLT	C.C.W.	T1,T3 T8	T2,T4 T5	---
	C.W.	T1,T3 T5	T2,T4 T8	---

* THIS LEAD MAY BE WHITE

		TOLERANCES UNLESS SPECIFIED			
		DEC.	INCHES		
		.X	±.1		
		.XX	±.01		
		.XXX	±.005		
		.XXXX	±.0005		
NO.	REVISION	BY & DATE	CHK	ANG	±1/2'



DRAWN	GR 07/23/12
CHK	VS 07/23/12
APPD	
SCALE	1=1
REF	005062-01
FMF	
PREV	

TITLE
EXT. WIRING DIAGRAM
TYPE "C" W/O PROTECTOR

MAT'L.
DECAL - 004012

FINISH

THIS DRAWING IN DESIGN AND DETAIL IS OUR PROPERTY AND MUST NOT BE USED EXCEPT IN CONNECTION WITH OUR WORK ALL RIGHTS OF DESIGN AND INVENTION ARE RESERVED THIS IS AN ELECTRONICALLY GENERATED DOCUMENT - DO NOT SCALE THIS PRINT		RFP	CAD FILE	00506201CY	SIZE	DRAWING NO.	REV.
		DIST	NLV		A	005062-01CY	