

# PRODUCT INFORMATION PACKET



Model No: V200M2  
Catalog No: V200M2

General Purpose Motor, 2 HP, 1 Ph, 60 Hz, 115/230 V, 1800 RPM, 182T Frame, ODP



Regal and Century are trademarks of Regal Rexnord Corporation or one of its affiliated companies.  
©2022 Regal Rexnord Corporation, All Rights Reserved. MC017097E





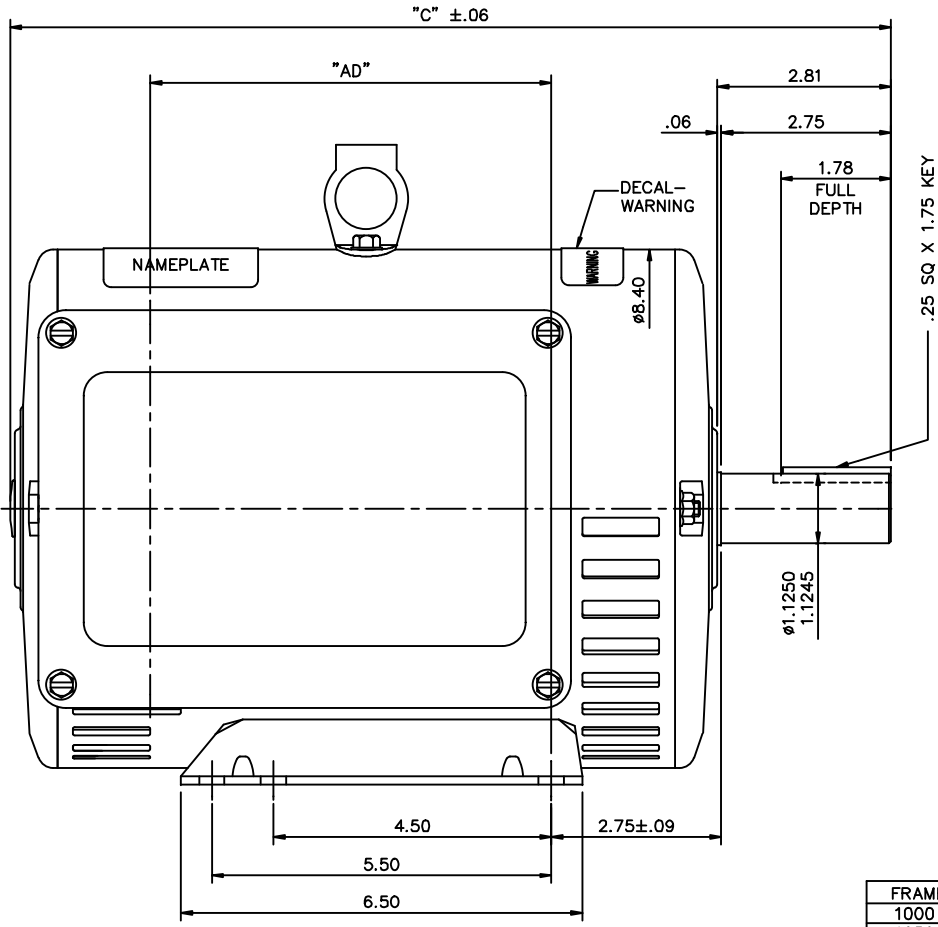
**Nameplate Specifications**

Output HP	<b>2 Hp</b>	Output KW	<b>1.5 kW</b>
Frequency	<b>60 Hz</b>	Voltage	<b>115/230 V</b>
Current	<b>23/11.5 A</b>	Speed	<b>1750 rpm</b>
Service Factor	<b>1.15</b>	Phase	<b>1</b>
Duty	<b>Continuous</b>	Insulation Class	<b>F</b>
Frame	<b>182T</b>	Enclosure	<b>Open Drip Proof</b>
Thermal Protection	<b>No Protection</b>	Ambient Temperature	<b>40 °C</b>
UL	<b>Recognized</b>	CSA	<b>Y</b>
CE	<b>Y</b>	Number of Speeds	<b>1</b>

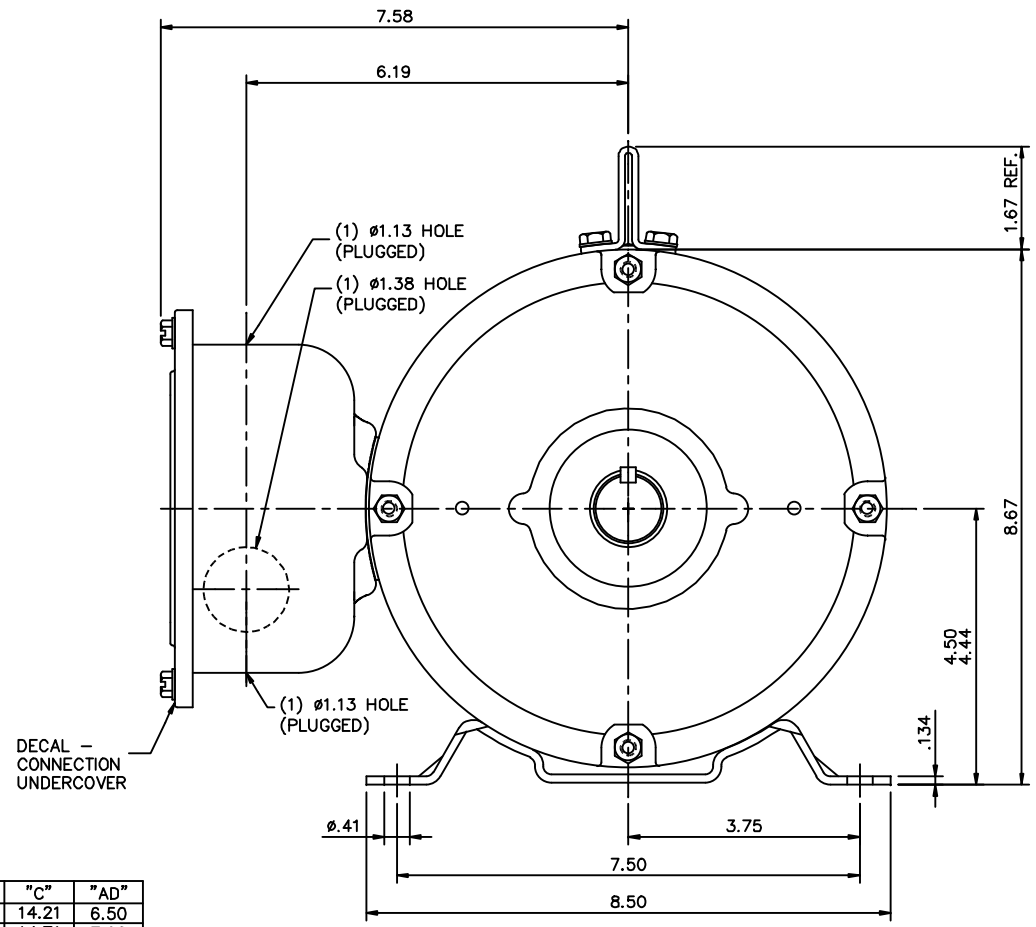
**Technical Specifications**

Electrical Type	<b>Capacitor Start</b>	Starting Method	<b>Across The Line</b>
Poles	<b>4</b>	Rotation	<b>Counterclockwise</b>
Mounting	<b>Rigid Base</b>	Drive End Bearing	<b>Ball</b>
Opp Drive End Bearing	<b>Ball</b>	Frame Material	<b>Rolled Steel</b>
Shaft Type	<b>Keyed</b>	Overall Length	<b>14.21 in</b>
Frame Length	<b>10.00 in</b>	Shaft Diameter	<b>1.125 in</b>
Shaft Extension	<b>2.81 in</b>		
Outline Drawing	<b>035655CY</b>	Connection Drawing	<b>005062.01CY</b>

This is an uncontrolled document once printed or downloaded and is subject to change without notice. Date Created:11/28/2022



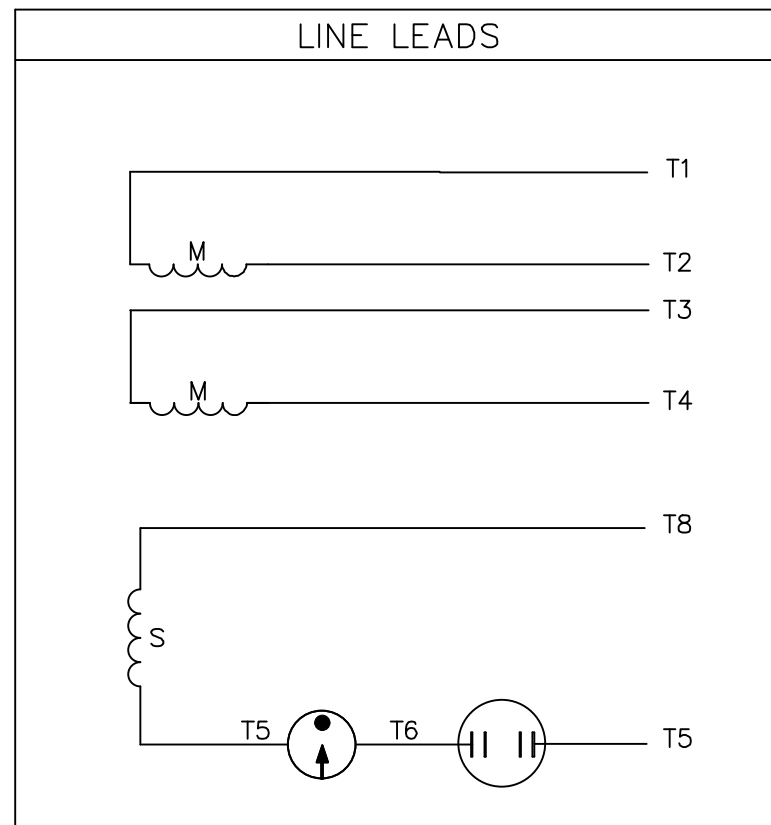
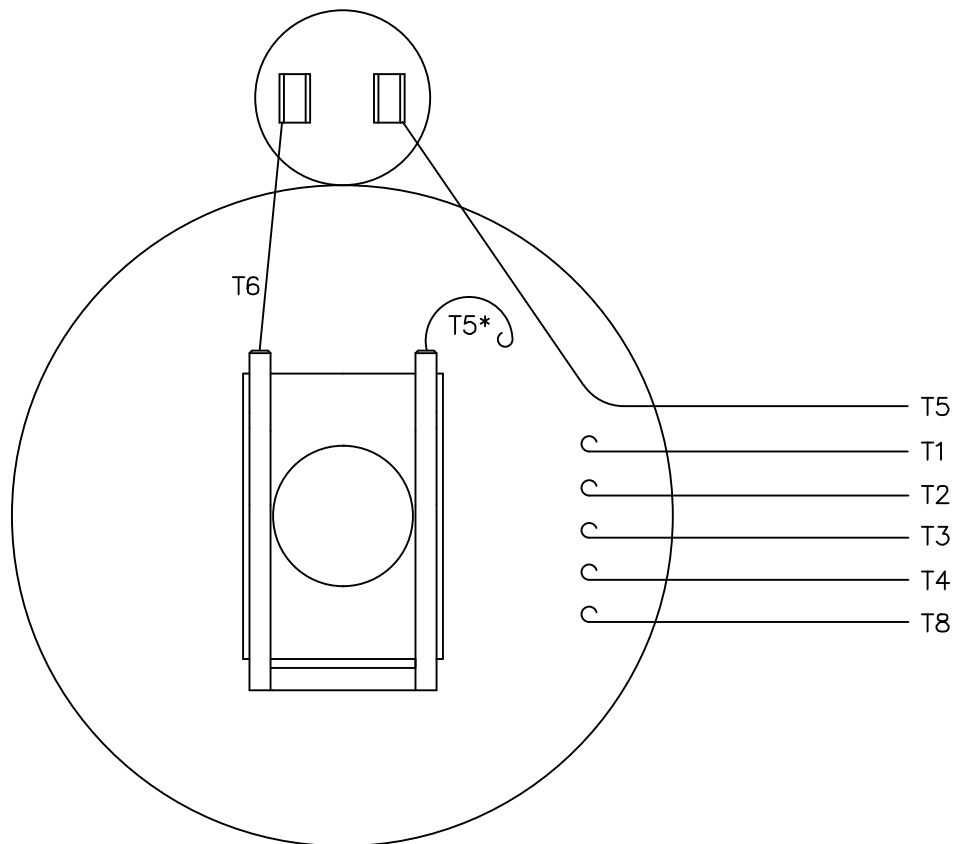
FRAME	"C"	"AD"
1000	14.21	6.50
1050	14.71	7.00
1100	15.21	7.50
1150	15.71	8.50
1200	16.21	9.00
1250	16.71	9.50



GASKETS THROUGHOUT

				TOLERANCES UNLESS SPECIFIED		DRAWN GR 07/17/12	
				DEC.	INCHES	CHK VS 07/17/12	
				.X	±.1	APPD	
				.XX	±.03	SCALE 1-2	
				.XXX	±.005	REF 035655	
				.XXXX	±.0005	FMF V200	
01	UPDATED "AD" DIMENSION	VS 10/8/2012	BY & DATE	CHK	ANG	PREV	
THIS DRAWING IN DESIGN AND DETAIL IS OUR PROPERTY AND MUST NOT BE USED EXCEPT IN CONNECTION WITH OUR WORK ALL RIGHTS OF DESIGN AND INVENTION ARE RESERVED THIS IS AN ELECTRONICALLY GENERATED DOCUMENT - DO NOT SCALE THIS PRINT				RFP	CAD FILE	035655CY	SIZE B
				DIST		DRAWING NO.	REV. 01
						035655CY	

VIEW FROM OUTSIDE OF MOTOR AT SWITCH END.



	ROTATION FACING LEAD END	L1	L2	JOIN
HIGH VOLT	C.C.W.	T1	T4 T5	T2,T3 T8
	C.W.	T1	T4 T8	T2,T3 T5
LOW VOLT	C.C.W.	T1,T3 T8	T2,T4 T5	---
	C.W.	T1,T3 T5	T2,T4 T8	---

\* THIS LEAD MAY BE WHITE

NO.	REVISION	BY & DATE	CHK	ANG	TOLERANCES UNLESS SPECIFIED	
					DEC.	INCHES
					.X	±.1
					.XX	±.01
					.XXX	±.005
					.XXXX	±.0005
					±1/2'	



TITLE	EXT. WIRING DIAGRAM TYPE "C" W/O PROTECTOR	DRAWN	GR 07/23/12
MAT'L.	DECAL - 004012	CHK	VS 07/23/12
FINISH		APPD	
		SCALE	1=1
		REF	005062-01
		FMF	
		PREV	

THIS DRAWING IN DESIGN AND DETAIL IS OUR PROPERTY AND MUST NOT BE USED EXCEPT IN CONNECTION WITH OUR WORK ALL RIGHTS OF DESIGN AND INVENTION ARE RESERVED THIS IS AN ELECTRONICALLY GENERATED DOCUMENT - DO NOT SCALE THIS PRINT		RFP	CAD FILE	00506201CY	SIZE	DRAWING NO.	REV.
		DIST	NLV		A	005062-01CY	