

PRODUCT INFORMATION PACKET



Model No: TO177
Catalog No: TO177
100 HP General Purpose Motor, 3 phase, 1800 RPM, 230/460 V, 404T Frame, ODP
General Purpose Motors



Regal and Century are trademarks of Regal Rexnord Corporation or one of its affiliated companies.
©2021 Regal Rexnord Corporation, All Rights Reserved. MC017097E





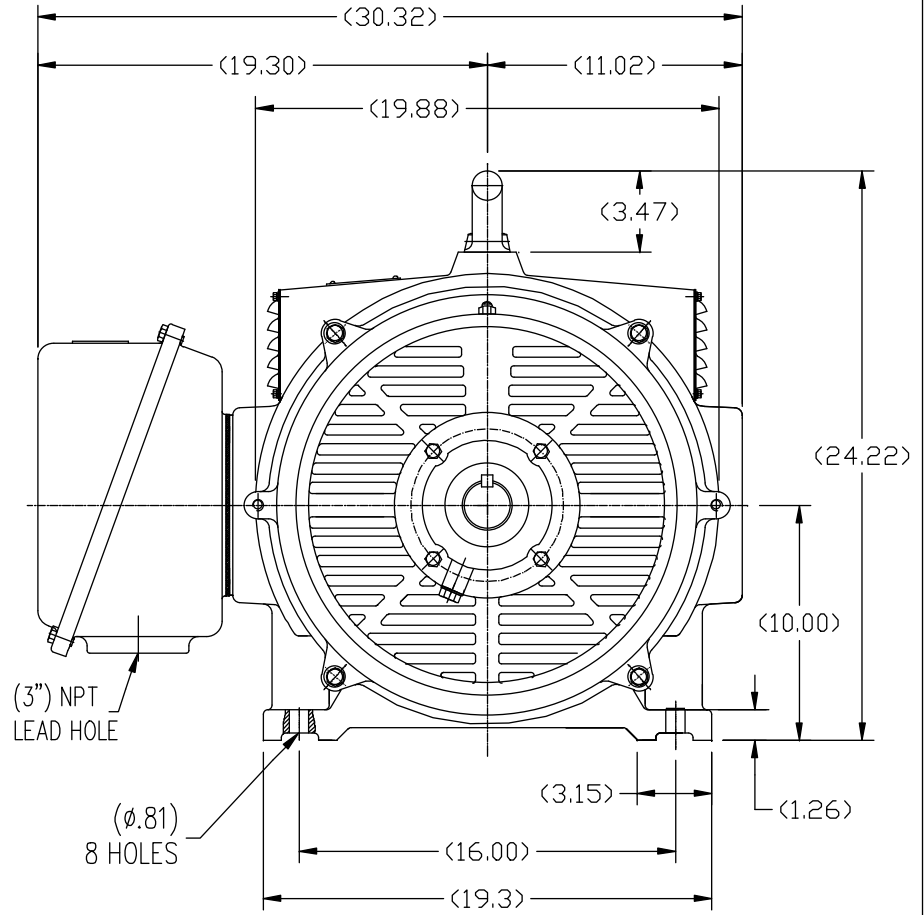
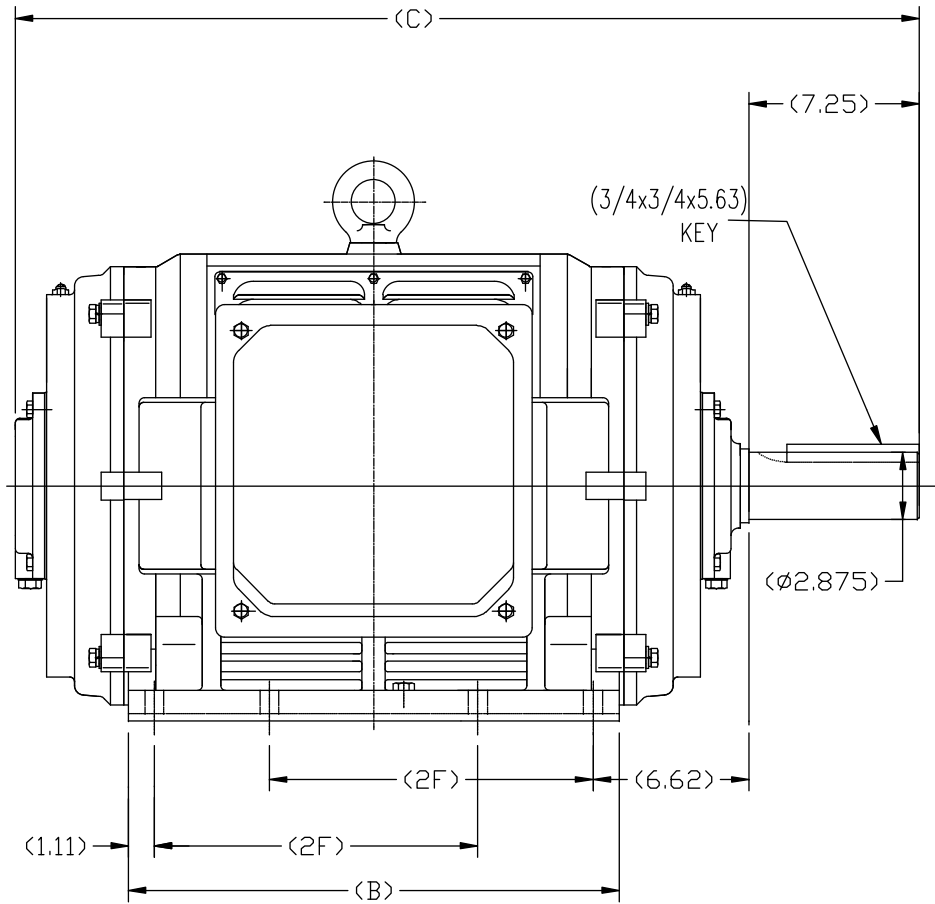
Nameplate Specifications

Output HP	100 Hp	Output KW	74.6 kW
Frequency	60 Hz	Voltage	230/460 V
Current	226/113 A	Speed	1788 rpm
Service Factor	1.15	Phase	3
Duty	Continuous	Insulation Class	F
Frame	404T	Enclosure	Drip Proof
Thermal Protection	None	Ambient Temperature	40 °C
UL	Recognized	CSA	Y
CE	Y	Number of Speeds	1

Technical Specifications

Electrical Type	POLYPHASE	Starting Method	Across The Line
Poles	4	Rotation	Reversible
Mounting	Rigid Base	Drive End Bearing	Ball
Opp Drive End Bearing	Ball	Frame Material	Cast Iron
Shaft Type	Keyed	Overall Length	37.20 in
Frame Length	19.68 in	Shaft Diameter	2.875 in
Shaft Extension	7.25 in		
Outline Drawing	SS620253	Connection Drawing	A-EE7308AA

This is an uncontrolled document once printed or downloaded and is subject to change without notice. Date Created:10/12/2021



404T	37.20	19.29	12.25
405T	38.78	20.87	13.75
FRAME	C	B	2F

TOLERANCES UNLESS SPECIFIED		REGAL REGAL - BELOIT CORPORATION		DRAWN HZJ 03-04-2010					
DEC.	INCHES			CHK	ZYH 03-04-2010				
.X	±.1	TITLE 404/405T FR-DDP-CAST IRON		APPD	CL 03-04-2010				
.XX	±.03			SCALE	1=75				
.XXX	±.005			REF					
.XXXX	±.0005			FMF	HWADA				
NO.	REVISION	BY & DATE	CHK	ANG	±1/21	FINISH	PREV		
THIS DRAWING IN DESIGN AND DETAIL IS OUR PROPERTY AND MUST NOT BE USED EXCEPT IN CONNECTION WITH OUR WORK ALL RIGHTS OF DESIGN AND INVENTION ARE RESERVED THIS IS AN ELECTRONICALLY GENERATED DOCUMENT - DO NOT SCALE THIS PRINT				RFP	CAD FILE	SS620253	SIZE	DRAWING NO.	REV.
				DIST			B	SS620253	



LOW VOLTAGE



HIGH VOLTAGE



VIEW OF TERMINAL END

DRAWING REVISION K	REVISION BY AJW	DATE 07-17-2015
ECO ECO-0081632	APPROVED BY T. VUE	DATE 07-17-2015
ECO DESCRIPTION REV'D IEC MARKINGS PER IEC 60034-8		
<small>COPYRIGHT REGAL BELOIT AMERICA, INC. ALL RIGHTS RESERVED. PROPRIETARY AND CONFIDENTIAL INFORMATION - THIS DOCUMENT IS THE PROPERTY OF REGAL BELOIT AMERICA, INC. ("OWNER") AND CONTAINS OWNER'S PROPRIETARY INFORMATION. ANY PERSON, CORPORATION OR OTHER FIRM RECEIVING IT IS DEEMED, BY RECEIVING IT, TO AGREE THAT IT, AND/OR ANY PART OF IT, SHALL NOT BE DISCLOSED TO ANY PERSON, CORPORATION OR OTHER ENTITY, DUPLICATED, AND/OR USED, EXCEPT AS EXPRESSLY APPROVED IN WRITING IN ADVANCE BY OWNER. THIS DOCUMENT SHALL BE RETURNED TO OWNER UPON REQUEST. IT MAY BE SUBJECT TO CERTAIN RESTRICTIONS UNDER APPLICABLE EXPORT CONTROL LAWS AND REGULATIONS.</small>		



DRAWN BY LZ	Regal Beloit America, Inc.	
DATE 01-12-1994		
APPROVED BY GK	DESCRIPTION CONN DIAGRAM-EXTERNAL 3Ø-2/1 DELTA-12 LEADS	
DATE 01-14-1994		
REFERENCE	MATERIAL	PROCESS/FINISH
THIRD ANGLE PROJECTION	SIZE A	DRAWING NUMBER EE7308AA
		SHEET 1 OF 1