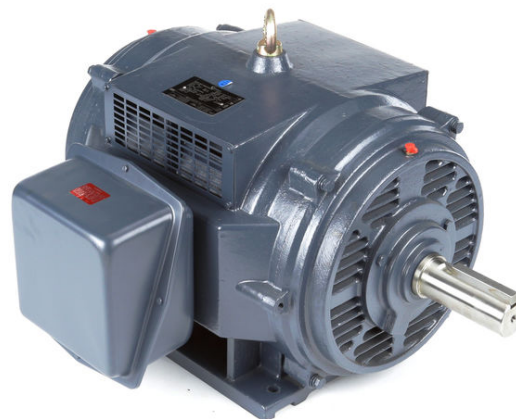


PRODUCT INFORMATION PACKET



Model No: TO160RS
Catalog No: TO160RS
50 HP General Purpose Motor, 3 phase, 1800 RPM, 200 V, 326T Frame, ODP
General Purpose Motors



Regal and Century are trademarks of Regal Rexnord Corporation or one of its affiliated companies.
©2021 Regal Rexnord Corporation, All Rights Reserved. MC017097E





Nameplate Specifications

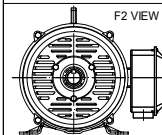
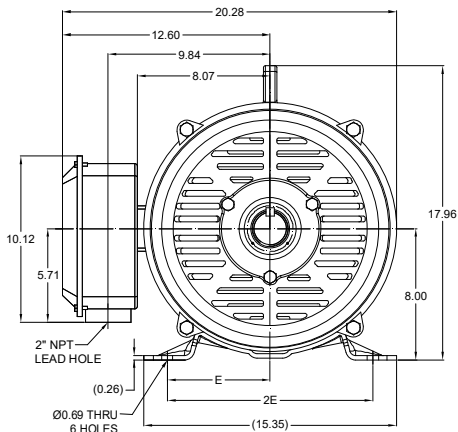
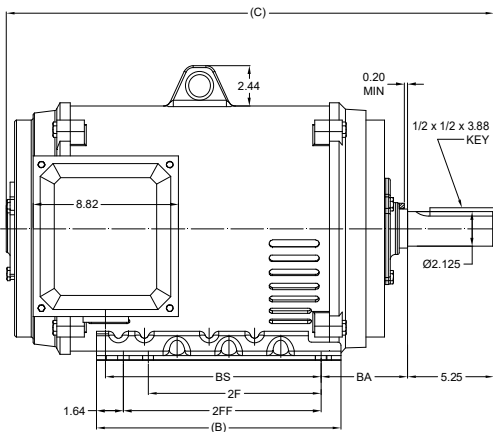
Output HP	50 Hp	Output KW	37.3 kW
Frequency	60 Hz	Voltage	200 V
Current	136 A	Speed	1780 rpm
Service Factor	1.15	Phase	3
Duty	Continuous	Insulation Class	F
Frame	326T	Enclosure	Drip Proof
Thermal Protection	None	Ambient Temperature	40 °C
UL	Recognized	CSA	Y
CE	Y	Number of Speeds	1

Technical Specifications

Electrical Type	Three Phase	Starting Method	Across The Line
Poles	4	Rotation	Reversible
Mounting	Rigid Base	Drive End Bearing	Ball
Opp Drive End Bearing	Ball	Frame Material	Rolled Steel
Shaft Type	Keyed	Overall Length	29.73 in
Frame Length	15.74 in	Shaft Diameter	2.125 in
Shaft Extension	5.25 in		
Connection Drawing	EE7300	Outline Drawing	SS620746


This is an uncontrolled document once printed or downloaded and is subject to change without notice. Date Created:10/07/2021

DASH NO.	4		3				2		1	
	B	C	E	2E	2F	2FF	BA	BS	MOUNTING	FRAME
100	14.85	28.55	6.25	12.50	10.50	12.00	5.25	11.90	F1 OR F2	324T
200		29.73								326T



DRAWING REVISION B	REVISION BY BISWA	REV DATE/ @ DATE 04/03/2021
ECD CR-0001470	APPROVED BY GNK	DATE 04/03/2021
ECD DESCRIPTION DRAWING UPDATED		
<small> COPYRIGHT (P) & REGISTERED (R) REGAL BELoit AMERICA, INC. ALL RIGHTS RESERVED. NO PART OF THIS DOCUMENT MAY BE REPRODUCED OR TRANSMITTED IN ANY FORM OR BY ANY MEANS, ELECTRONIC OR MECHANICAL, INCLUDING PHOTOCOPYING, RECORDING, OR BY ANY INFORMATION STORAGE AND RETRIEVAL SYSTEM, WITHOUT PERMISSION IN WRITING FROM REGAL BELoit AMERICA, INC. PERMISSION TO REPRODUCE THIS DOCUMENT IS GRANTED BY REGAL BELoit AMERICA, INC. TO ANY PERSON OR ENTITY WHOSE BUSINESS OPERATIONS ARE DIRECTLY AFFECTED BY THIS DOCUMENT. THIS DOCUMENT IS THE PROPERTY OF REGAL BELoit AMERICA, INC. AND IS LOANED TO YOU. IT IS TO BE USED ONLY FOR THE PURPOSES INTENDED BY REGAL BELoit AMERICA, INC. IT IS NOT TO BE DISTRIBUTED OR REPRODUCED IN ANY MANNER WITHOUT THE WRITTEN PERMISSION OF REGAL BELoit AMERICA, INC. THIS DOCUMENT IS THE PROPERTY OF REGAL BELoit AMERICA, INC. AND IS LOANED TO YOU. IT IS TO BE USED ONLY FOR THE PURPOSES INTENDED BY REGAL BELoit AMERICA, INC. IT IS NOT TO BE DISTRIBUTED OR REPRODUCED IN ANY MANNER WITHOUT THE WRITTEN PERMISSION OF REGAL BELoit AMERICA, INC. </small>		

PRIMARY DIMENSIONS ARE INCH
ITEM DIMENSIONS IN (BRACKETS)
ARE FOR REFERENCE ONLY

DRAWN BY XZ	 Regal Beloit America, Inc.
DATE 25/02/2016	DESCRIPTION OUTLINE 324/326T FR NEMA ODP RS
APPROVED BY	MATERIAL
DATE	PROCESS/FINISH
REFERENCE	SIZE B
THIRD ANGLE PROJECTION	DRAWING NUMBER SS620746
	SHEET 1 OF 1

**THREE PHASE - SINGLE VOLTAGE
MOTOR - CONDUIT BOX @ 'A'**

**TO REVERSE ROTATION:
INTERCHANGE ANY TWO
LINE LEAD CONNECTIONS.**

TERMINAL BLOCK WHEN SPECIFIED



VIEW OF TERMINAL END

**IF MOTOR HAS
6 LEADS**



A-9806 DECAL

**OPTIONAL CORD
CONNECTION**



DRAWING REVISION AB	REVISION BY JJB	DATE 06-27-2017
ECO ECO-0125361	APPROVED BY TB	DATE 06-27-2017
ECO DESCRIPTION UPDATED TO CURRENT STANDARDS		
<small>COPYRIGHT REGAL BELOIT AMERICA, INC. ALL RIGHTS RESERVED. PROPRIETARY AND CONFIDENTIAL INFORMATION - THIS DOCUMENT IS THE PROPERTY OF REGAL BELOIT AMERICA, INC. ("OWNER") AND CONTAINS OWNER'S PROPRIETARY INFORMATION. ANY PERSON, CORPORATION OR OTHER FIRM RECEIVING IT IS DEEMED, BY RECEIVING IT, TO AGREE THAT IT, AND/OR ANY PART OF IT, SHALL NOT BE DISCLOSED TO ANY PERSON, CORPORATION OR OTHER ENTITY, DUPLICATED, AND/OR USED, EXCEPT AS EXPRESSLY APPROVED IN WRITING IN ADVANCE BY OWNER. THIS DOCUMENT SHALL BE RETURNED TO OWNER UPON REQUEST. IT MAY BE SUBJECT TO CERTAIN RESTRICTIONS UNDER APPLICABLE EXPORT CONTROL LAWS AND REGULATIONS.</small>		



DRAWN BY DA
DATE 03-26-1993
APPROVED BY TB
DATE 03-26-1993
REFERENCE
THIRD ANGLE PROJECTION

Regal Beloit America, Inc.	
DESCRIPTION CONNECTION DIAGRAM EXTERNAL - SINGLE VOLTAGE - 3Ø MOTOR	
MATERIAL	PROCESS/FINISH
SIZE A	DRAWING NUMBER EE7300
SHEET 1 OF 1	