

# PRODUCT INFORMATION PACKET

Model No: TCM1324A2113GAC011

Catalog No: TCM1324A2113GAC011

TerraMAX® IE3, Mining Duty Motors, 132 kW, 3Ph, 8 Pole, 400/690V, B3, 50Hz, 355M Frame, TEFC



Regal and Marathon are trademarks of Regal Rexnord Corporation or one of its affiliated companies.

©2022 Regal Rexnord Corporation, All Rights Reserved. MC017097E

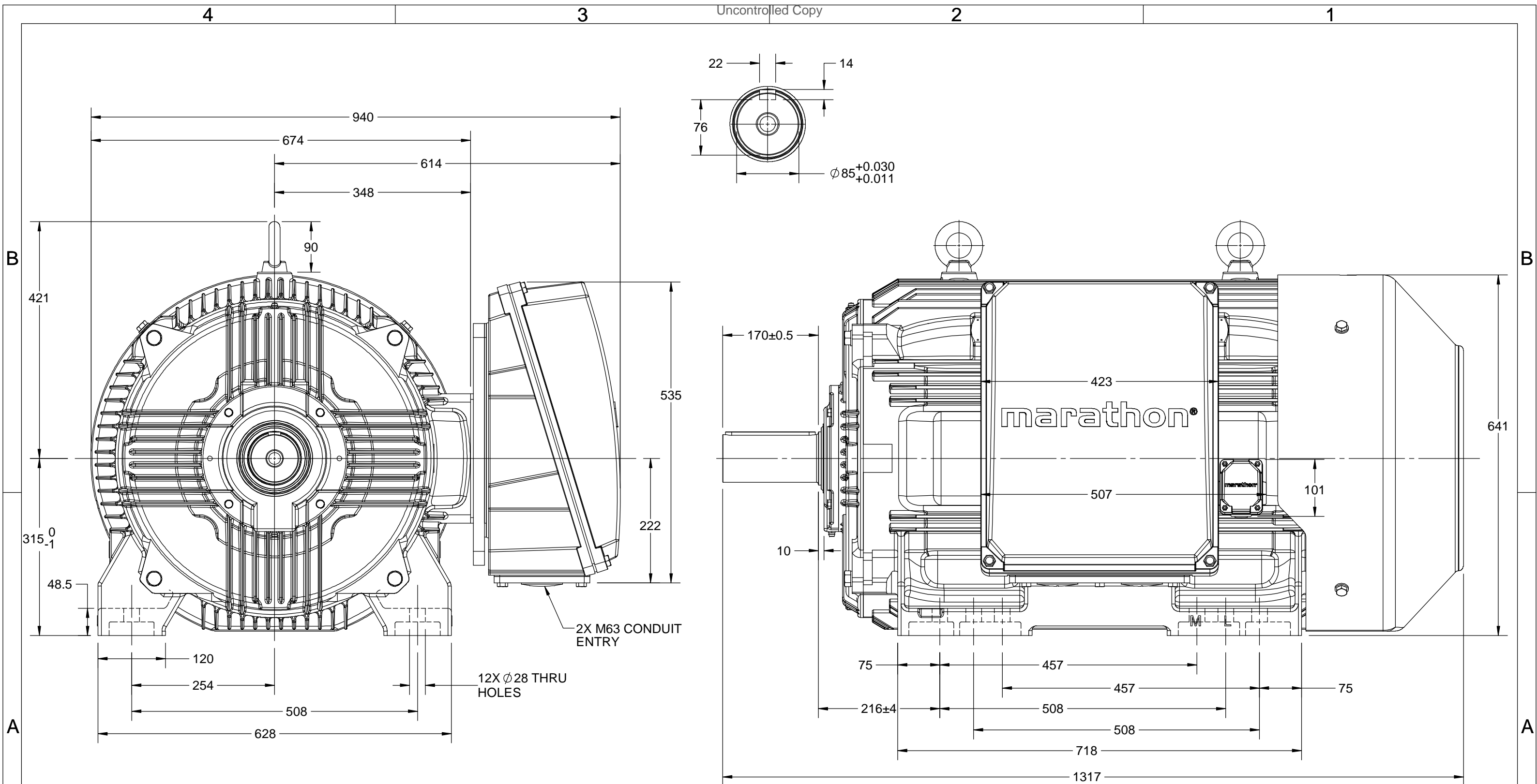
### Nameplate Specifications

Output HP	<b>175 Hp</b>	Output KW	<b>132.0 kW</b>
Frequency	<b>50 Hz</b>	Voltage	<b>400/690 V</b>
Current	<b>247.0 A</b>	Speed	<b>742 rpm</b>
Service Factor	<b>1</b>	Phase	<b>3</b>
Efficiency	<b>94 %</b>	Power Factor	<b>0.82</b>
Duty	<b>S1</b>	Insulation Class	<b>H</b>
Frame	<b>355M</b>	Enclosure	<b>Totally Enclosed Fan Cooled</b>
Thermal Protection	<b>No Protection</b>	Ambient Temperature	<b>40 °C</b>
Drive End Bearing Size	<b>NU319</b>	Opp Drive End Bearing Size	<b>6319</b>
UL	<b>NO</b>	CSA	<b>NO</b>
CE	<b>YES</b>	IP Code	<b>66</b>
Number of Speeds	<b>1</b>	Efficiency Class	<b>IE3</b>

### Technical Specifications

Electrical Type	<b>Squirrel Cage</b>	Starting Method	<b>Direct On Line</b>
Poles	<b>8</b>	Rotation	<b>Bi-Directional</b>
Mounting	<b>B3</b>	Motor Orientation	<b>Horizontal</b>
Drive End Bearing	<b>C3</b>	Opp Drive End Bearing	<b>C3</b>
Frame Material	<b>Cast Iron</b>	Shaft Type	<b>Keyed</b>
Overall Length	<b>1317 mm</b>	Frame Length	<b>729 mm</b>
Shaft Diameter	<b>85 mm</b>	Shaft Extension	<b>170 mm</b>
Assembly/Box Mounting	<b>RHS</b>		
Connection Drawing	<b>8442180001</b>	Outline Drawing	<b>0231501424</b>

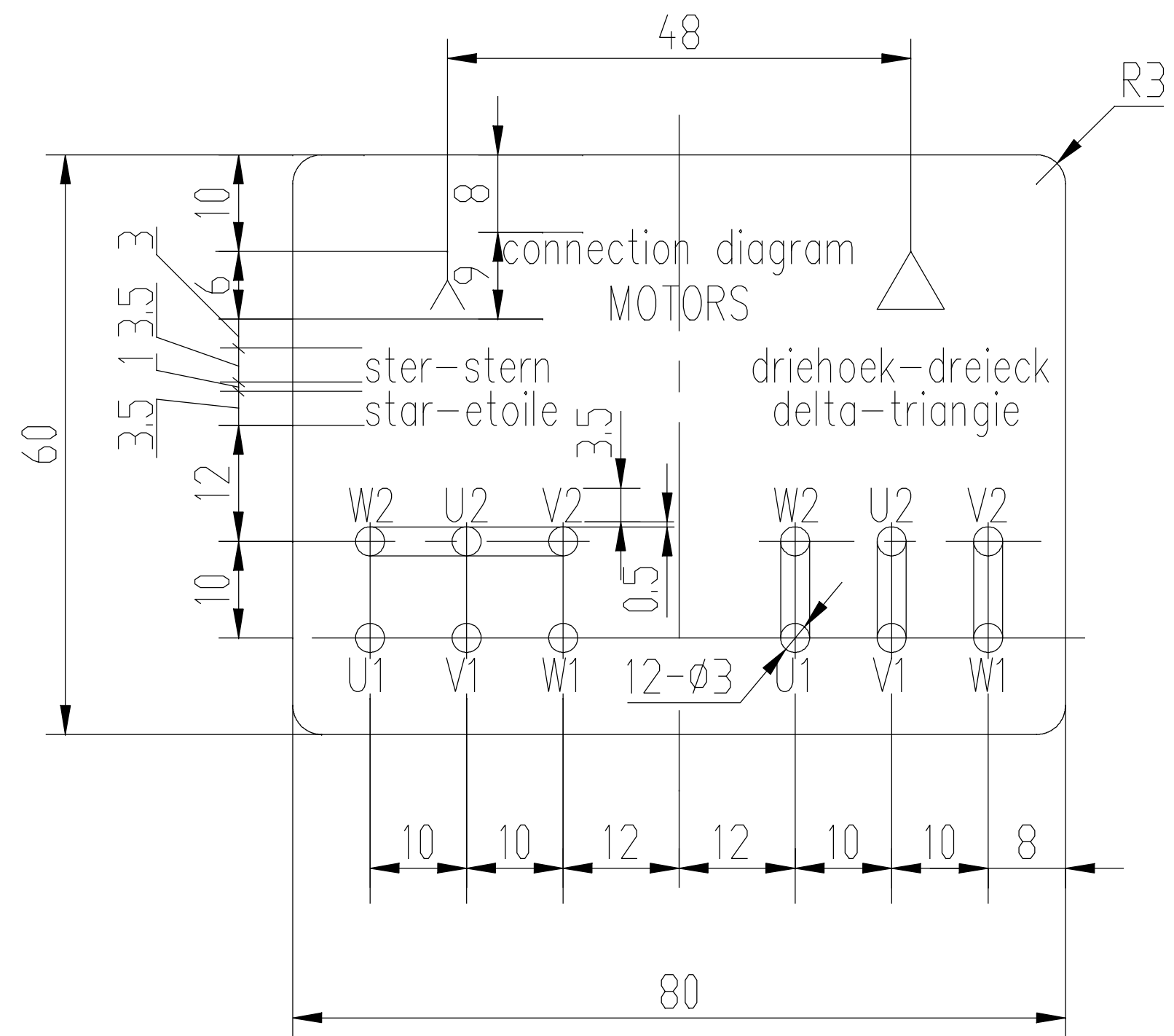
This is an uncontrolled document once printed or downloaded and is subject to change without notice. Date Created:12/02/2022



DRAWING REVISION B	REVISION BY LK	DATE 03/08/2018
ECO ECO-0158551	APPROVED BY SBD	DATE 03/08/2018
ECO DESCRIPTION MODEL UPDATED WITH NEW STRUCTURE		
<small>COPYRIGHT REGAL BELOIT AMERICA, INC. ALL RIGHTS RESERVED.          PROPRIETARY AND CONFIDENTIAL INFORMATION - THIS DOCUMENT IS THE PROPERTY OF          REGAL BELOIT AMERICA, INC. ("OWNER") AND CONTAINS OWNER'S PROPRIETARY          INFORMATION. ANY PERSON, CORPORATION OR OTHER FIRM RECEIVING IT IS DEEMED,          BY RECEIVING IT, TO AGREE THAT IT, AND/OR ANY PART OF IT, SHALL NOT BE DISCLOSED          TO ANY PERSON, CORPORATION OR OTHER ENTITY, DUPLICATED, AND/OR USED, EXCEPT          AS EXPRESSLY APPROVED IN WRITING IN ADVANCE BY OWNER. THIS DOCUMENT SHALL          BE RETURNED TO OWNER UPON REQUEST. IT MAY BE SUBJECT TO CERTAIN          RESTRICTIONS UNDER APPLICABLE EXPORT CONTROL LAWS AND REGULATIONS.</small>		

DRAWN BY LK		
DATE 22/01/2018		
APPROVED BY SBD	DESCRIPTION OUTLINE	
DATE 22/01/2018	FR-315L-B3 MTG. 4-8P MOTOR TYPE: TCM	
REFERENCE	MATERIAL	PROCESS/FINISH
THIRD ANGLE PROJECTION	SIZE B	DRAWING NUMBER 0231501424
		SHEET 1 OF 1

8442180001



技术要求

- 1、字母小号3.5，大号5，字母应整齐清晰，Δ、Y下面的字母分别关于Δ、Y对称；
- 2、底为黄色，文字线条为黑色；
- 3、压敏胶纸反面涂不干胶。

修改  
校对  
审核  
工艺  
标准

修改  
校对  
审核  
工艺  
标准

修改  
校对  
审核  
工艺  
标准

设计  
校对  
审核  
批准  
工艺

						8442180001				
						压敏胶纸				
标记	处数	分区	更改文件号	签名	年月日	阶段标记		重量	比例	接线指示 DM1-180
设计			标准化						1:1	
校对			审定			共 页		第 页		无锡华达电机有限公司
审核										
工艺			批准							

**Model No.** TCM1324A2113GAC011

U (V)	Δ / Y Conn	f [Hz]	P		I [A]	n [RPM]	T [Nm]	IE Class	% EFF at __ load				PF at __ load			I <sub>A</sub> /I <sub>N</sub> [pu]	T <sub>A</sub> /T <sub>N</sub> [pu]	T <sub>K</sub> /T <sub>N</sub> [pu]
			[kW]	[hp]					5/4FL	FL	3/4FL	1/2FL	FL	3/4FL	1/2FL			
400	Δ	50	132	175	247.2	742	1679.41	IE3	-	94	94	94.5	0.82	0.79	0.7	6	1.5	2.4

Motor type	TCM	Degree of protection	IP 66
Enclosure	TEFC	Mounting type	IM B3
Frame Material	Cast Iron	Cooling method	IC 411
Frame size	355M	Motor weight - approx.	1659 kg
Duty	S1	Gross weight - approx.	1704 kg
Voltage variation *	± 10%	Motor inertia	8.9257 kgm <sup>2</sup>
Frequency variation *	± 5%	Load inertia	Customer to Provide
Combined variation *	10%	Vibration level	2.8 mm/s
Design	N	Noise level ( 1meter distance from motor)	65 dB(A)
Service factor	1.15	No. of starts hot/cold/Equally spread	2/3/4
Insulation class	H	Starting method	DOL
Ambient temperature	-20 to +40 °C	Type of coupling	Direct
Temperature rise (by resistance)	80 [ Class B ] K	LR withstand time (hot/cold)	25/50 s
Altitude above sea level	1000 meter	Direction of rotation	Bi-directional
Hazardous area classification	NA	Standard rotation	Clockwise form DE
Zone classification	NA	Paint shade	RAL 2008
Gas group	NA	Accessories	
Temperature class	NA	Accessory - 1	PTC 150°C
Rotor type	Aluminum die cast	Accessory - 2	-
Bearing type	Anti-friction ball	Accessory - 3	-
DE / NDE bearing	NU319 / 6319-C3	Terminal box position	RHS
Lubrication method	Regreasable	Maximum cable size/conduit size	1R x 3C x 300mm <sup>2</sup> /4 X M63 x 1.5
Type of grease	CHEVRON SRI-2 or Equivalent	Auxiliary terminal box	YES

I<sub>A</sub>/I<sub>N</sub> - Locked Rotor Current / Rated Current

T<sub>K</sub>/T<sub>N</sub> - Breakdown Torque / Rated Torque

T<sub>A</sub>/T<sub>N</sub> - Locked Rotor Torque / Rated Torque

**NOTE**

All performance values at rated voltage and frequency.

All performance parameters are subjected to standard tolerance as per IEC 60034-1

\* Voltage, Frequency and combine variation are as per IEC60034-1

Technical data are subject to change. There may be slight variations between calculated values in this datasheet and the motor nameplate figures.

Efficiency Standards	Europe IEC:60034-30-1	China -	India -	Aus/Nz AS/NZ 1359:5:2004	Brazil -	Global IEC IEC:60034-30-1

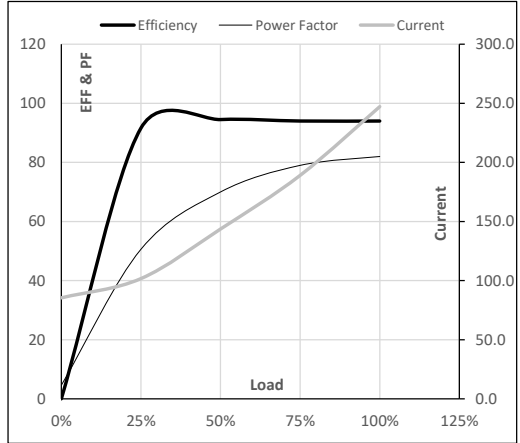
Model No. TCM1324A2113GAC011

Enclosure	U (V)	Δ / Y Conn	f [Hz]	P [kW]	P [hp]	I [A]	n [RPM]	T [kgm]	T [Nm]	IE Class	Amb [°C]	Duty	Elevation [m]	Inertia [kg-m <sup>2</sup> ]	Weight [kg]
TEFC	400	Δ	50	132	175.0	247.2	742	171.25	1679.41	IE3	40	S1	1000	8.9257	1659

**Motor Load Data**

Load Point		NL	1/4FL	1/2FL	3/4FL	FL	5/4FL
Current	A	85.4	101.7	143.7	189.0	247.2	
Torque	Nm	0.0	416.6	835.2	1256.0	1679.4	
Speed	r/min	750	748	746	744	742	
Efficiency	%	0.0	91.6	94.5	94.0	94.0	
Power Factor	%	4.6	50.6	70.0	79.0	82.0	

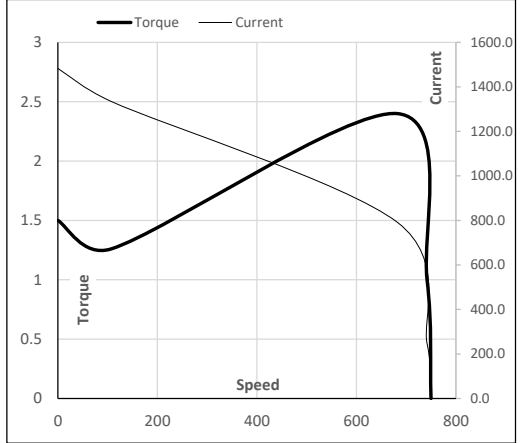
**Performance vs Load Chart**



**Motor Speed Torque Data**

Load Point		LR	P-Up	BD	Rated	NL
Speed	r/min	0	107	683	742	750
Current	A	1483.1	1334.8	791.0	247.2	85.4
Torque	pu	1.5	1.3	2.4	1	0

**Starting Characteristics Chart**



**NOTE** Refer data sheet for applicable standard and tolerances on performance parameters

Issued By  
Issued Date



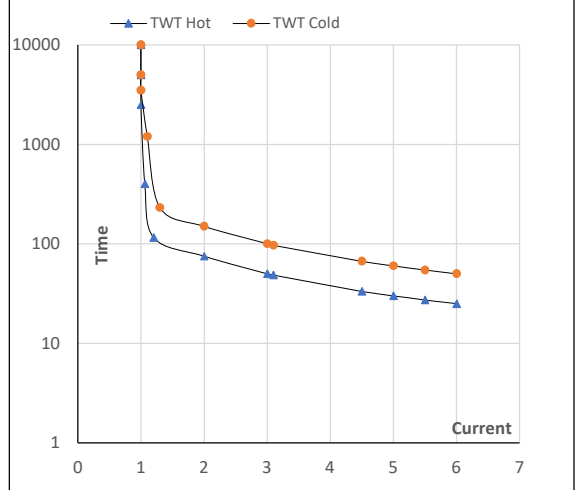
**Model No.** TCM1324A2113GAC011

Enclosure	U (V)	Δ / Y Conn	f [Hz]	P [kW]	P [hp]	I [A]	n [rpm]	T [kgm]	T [Nm]	IE Class	Amb [°C]	Duty	Elevation [m]	Inertia [kg-m <sup>2</sup> ]	Weight [kg]
TEFC	400	Δ	50	132	175	247.2	742	171.25	1679.41	IE3	40	S1	1000	8.9257	1659

**Motor Speed Torque Data**

Load	FL	I <sub>1</sub>	I <sub>2</sub>	I <sub>3</sub>	I <sub>4</sub>	I <sub>5</sub>	LR	
TWT Hot	s 10000	75	50	40	30	27	25	
TWT Cold	s 10000	150	100	82	60	55	50	
Current	pu	1	2	3	4	5	5.5	6

**Thermal Characteristics Chart**



**NOTE** Refer data sheet for applicable standard and tolerances on performance parameters

Issued By  
Issued Date

