

PRODUCT INFORMATION PACKET

Model No: TCA7P52AE251GAA009

Catalog No: R931

TerraMAX® Cast Iron Motor, 10 & 7.50 HP, 3 Ph, 60 & 50 Hz, 230/460 & 200/400 V, 1800 & 1500 RPM,
132M Frame, TEFC



Regal and Marathon are trademarks of Regal Rexnord Corporation or one of its affiliated companies.

©2023 Regal Rexnord Corporation, All Rights Reserved. MC017097E

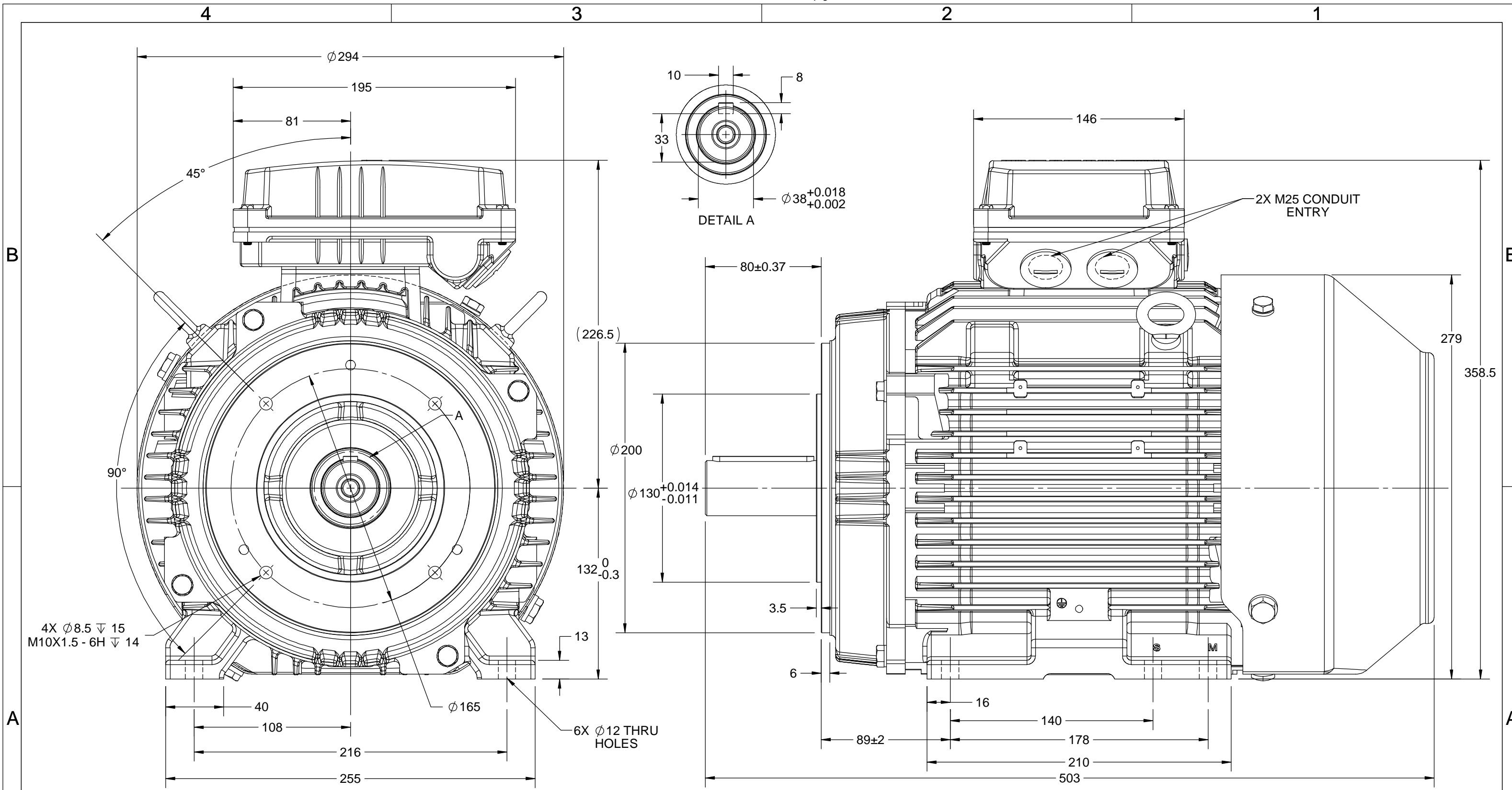
Nameplate Specifications

Phase	3	Output HP	10 & 7.5 Hp
Output KW	7.5 & 5.5 kW	Voltage	230/460 & 200/400 V
Speed	1775 & 1480 rpm	Service Factor	1.15 & 1.15
Frame	132M	Enclosure	Totally Enclosed Fan Cooled
Thermal Protection	No Protection	Efficiency	91.7 & 89.6 %
Ambient Temperature	40 °C	Frequency	60 & 50 Hz
Current	25.4/12.7 & 22.6/11.3 A	Power Factor	81
Duty	Continuous	Insulation Class	F
Design Code	N (IEC)	KVA Code	K
Drive End Bearing Size	6308	Opp Drive End Bearing Size	6208
UL	Recognized	CSA	N
CE	Y	IP Code	55
Number of Speeds	1	Efficiency Class	IE3

Technical Specifications

Electrical Type	Squirrel Cage Inverter Rated	Starting Method	Line Or Inverter
Poles	4	Rotation	Reversible
Resistance Main	1.05 Ohms	Mounting	B3
Motor Orientation	Horizontal	Drive End Bearing	Ball
Opp Drive End Bearing	Ball	Frame Material	Cast Iron
Shaft Type	IEC	Shaft Diameter	38.000 in
Assembly/Box Mounting	F3	Inverter Load	CONSTANT 2:1/VARIABLE 10:1
Outline Drawing	SS620952	Connection Drawing	8442000715

This is an uncontrolled document once printed or downloaded and is subject to change without notice. Date Created:06/22/2023



DRAWING REVISION A	REVISION BY	DATE
ECO ECO-0176075	APPROVED BY	DATE
ECO DESCRIPTION		
NEW DRAWING		
<small>COPYRIGHT REGAL BELOIT AMERICA, INC. ALL RIGHTS RESERVED. PROPRIETARY AND CONFIDENTIAL INFORMATION - THIS DOCUMENT IS THE PROPERTY OF REGAL BELOIT AMERICA, INC. ("OWNER") AND CONTAINS OWNER'S PROPRIETARY INFORMATION. ANY PERSON, CORPORATION OR OTHER FIRM RECEIVING IT IS DEEMED, BY RECEIVING IT, TO AGREE THAT IT, AND/OR ANY PART OF IT, SHALL NOT BE DISCLOSED TO ANY PERSON, CORPORATION OR OTHER ENTITY, DUPLICATED, AND/OR USED, EXCEPT AS EXPRESSLY APPROVED IN WRITING IN ADVANCE BY OWNER. THIS DOCUMENT SHALL BE RETURNED TO OWNER UPON REQUEST. IT MAY BE SUBJECT TO CERTAIN RESTRICTIONS UNDER APPLICABLE EXPORT CONTROL LAWS AND REGULATIONS.</small>		

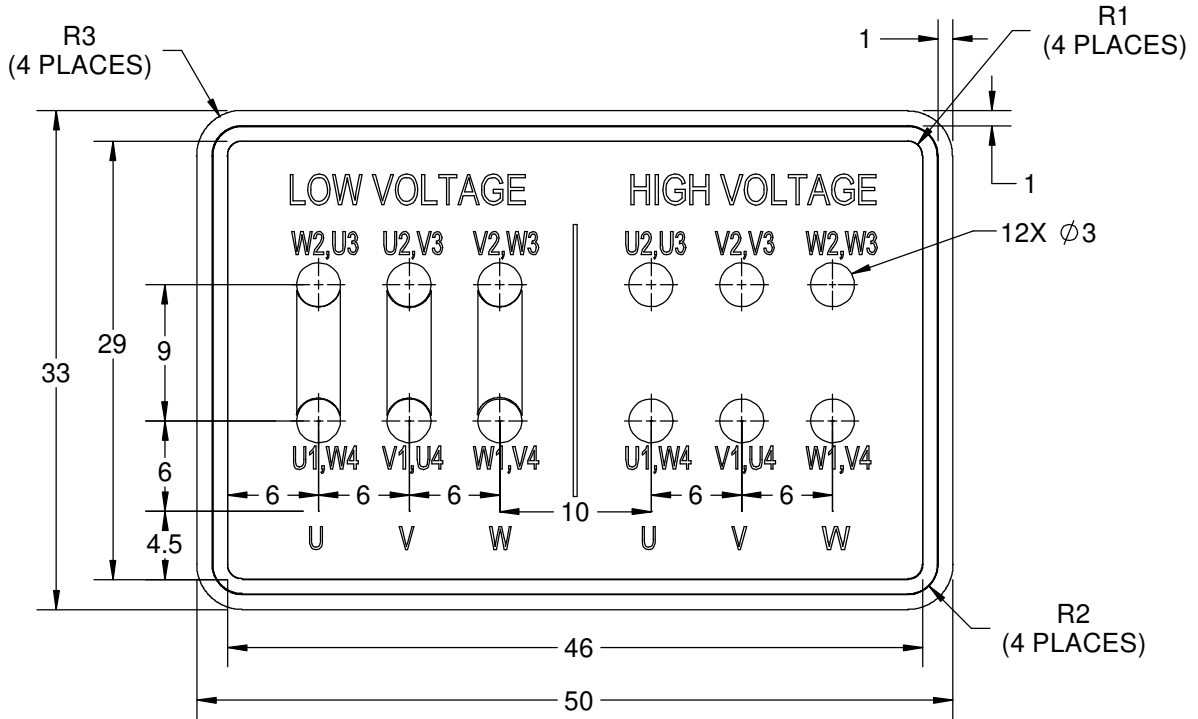


DRAWN BY RI		
DATE 01-08-2020		
APPROVED BY VJ	DESCRIPTION OUTLINE	
DATE 01-08-2020	IEC-132M-B34A-TEFC-CAST IRON	
REFERENCE SS620875	MATERIAL	PROCESS/FINISH
THIRD ANGLE PROJECTION	SIZE B	DRAWING NUMBER SS620952
		SHEET 1 OF 1

COPYRIGHT REGAL BELOIT AMERICA, INC. ALL RIGHTS RESERVED.
 PROPRIETARY AND CONFIDENTIAL INFORMATION - THIS DOCUMENT IS THE PROPERTY OF
 REGAL BELOIT AMERICA, INC. ("OWNER") AND CONTAINS OWNER'S PROPRIETARY
 INFORMATION. ANY PERSON, CORPORATION OR OTHER FIRM RECEIVING IT IS DEEMED,
 BY RECEIVING IT, TO AGREE THAT IT, AND/OR ANY PART OF IT, SHALL NOT BE DISCLOSED
 TO ANY PERSON, CORPORATION OR OTHER ENTITY, DUPLICATED, AND/OR USED, EXCEPT
 AS EXPRESSLY APPROVED IN WRITING IN ADVANCE BY OWNER. THIS DOCUMENT SHALL
 BE RETURNED TO OWNER UPON REQUEST. IT MAY BE SUBJECT TO CERTAIN
 RESTRICTIONS UNDER APPLICABLE EXPORT CONTROL LAWS AND REGULATIONS.

DRAWING REVISION A	REVISION BY S.MUDDA	DATE 16/11/2020
ECO ECO-0194685	APPROVED BY SUMANTA	DATE 16/11/2020
ECO DESCRIPTION NEW DRAWING		

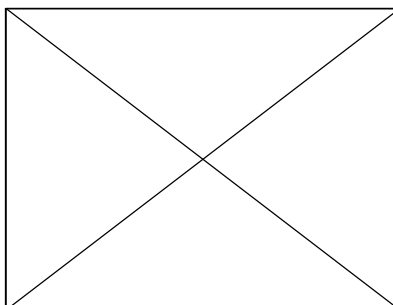
GEOMETRIC TOLERANCE		
LINEAR DIM	>0~6	±0.1
	>6~30	±0.2
	>30~120	±0.3



NOTES:

1. PRESSURE-SENSITIVE ADHESIVE COATED PAPER ON THE BACK OF SELF-ADHESIVE.
2. AT THE END OF YELLOW, WORDS, SYMBOLS, LETTERS ARE BLACK, BORDER IS BLACK.
3. THE TOLERANCE OF THE LINEAR SIZE OF THE TOLERANCE WITHOUT THE TOLERANCE BY THE TABLE.
4. LEAD TERMINAL MARKINGS FONT SIZE : T1-T12 & U1-U4,V1-V4& W1-W4 OF ARIAL WITH 3mm SIZE
5. OTHER LETTER FONT SIZE SHOULD BE 3.5mm.

8WD.442.2017



DRAWN BY S.MUDDA	DESCRIPTION CONN DIAGRAM-NAMEPLATE	
	MATERIAL	
	PROCESS/FINISH	
	SIZE A	DRAWING NUMBER 8442000715
	SHEET 1 OF 1	



P.O. BOX 8003
WAUSAU, WI 54401-8003
PH. 715-675-3311

DATA VOLTS: 460

CERTIFICATION DATA SHEET

CUSTOMER: _____
ORDER #: _____
CONN. DIAGRAM: 8442000677
OUTLINE: SS620952
WINDING: IE3L1324202 NONE 1
SPEED: _____

CUSTOMER P.O. #: _____
REFERENCE MODEL #: TCA7P52AE251GAA009
CAT #: R931
CUSTOMER PART #: _____
MOUNTING: F3

TYPICAL MOTOR PERFORMANCE DATA

HP	KW	SYNC RPM	FL RPM	FRAME	ENCLOSURE	TYPE	KVA CODE	DESIGN
10	7.5	1800	1775	132M	TEFC	TCA 132MA04	K	N

PH	HZ	VOLTS	AMPS	START TYPE	DUTY	INSL	S.F.	AMB (° C)	ELEV.(Ft.)
3	60/50	230/460#200/400	25.4/12.7&22.6/11.3	LINE OR INVERTER	CONT	F	1.15	40	3300

F.L. EFF	91.7	3/4 LD EFF	91.7	1/2 LD EFF	90.1	GTD EFF	ELECT. TYPE
F.L. PF	81.0	3/4 LD PF	75.0	1/2 LD PF	64.0	90.5	SQ CAGE INV RATED

F.L. TORQUE	LR AMPS @ 460 V	L.R. TORQUE	B.D. TORQUE	F.L. RISE (° C)
29.6 LB-FT	110	90.0 LB-FT	304%	95.7 LB-FT

SOUND PRESSURE @ 3 FT.	SOUND	POWER	ROTOR WK ²	MAX. LOAD WK ²	SAFE STALL TIME	STARTS/HOUR	APROX.	MOTOR WGT
65 dBA	74 dBA		1.31 LB-FT ²	1.31 LB-FT ²	10 SEC.	2	99	KG.

***** SUPPLEMENTAL INFORMATION *****

DE BRACKET TYPE	ODE BRACKET TYPE	MOUNT TYPE	MOTOR ORIENTATION	SEVERE DUTY	HAZARDOUS LOCATION	DRIP COVER	SCREENS	PAINT
FT-FLANGE-165	STANDARD	B3	HORIZONTAL	NO	NONE	NO	NONE	BLUE (ENAMEL)

BEARINGS		GREASE	SHAFT TYPE	SPECIAL DE	SPECIAL ODE	SHAFT MATERIAL	FRAME MATERIAL
DE	ODE	POLYREX EM	STANDARD IEC	NONE	NONE	1045 HOT ROLLED (C-204)	CAST IRON
BALL	BALL						
6308	6208						

THERMOSTATS	PROTECTORS	WDG RTD's	BRG RTD's	THERMISTORS	CONTROL	SPACE	HEATERS
NONE	NOT	NONE	NONE	NONE	FALSE		NA

R1 (ohms/ph)	R2 (ohms/ph)	X1 (ohms/ph)	X2 (ohms/ph)	Xm (ohms/ph)	VIBRATION (in/sec)	FLOAT
0.652	0.340	1.560	2.212	45.044	0.150	ODE

* N O T E S *	INVERTER TORQUE: CONSTANT 2:1/VARIABLE 10:1 INV. HP SPEED RANGE: NONE						
	ENCODER: NONE						
	NONE						
	NONE PPR						
	BRAKE: NONE						

PREPARED BY: _____	BRAKE: NONE
DATE: 11/27/2020	NONE
	FT-LB: NA
	VOLTAGE: NONE
	HZ: _____
	UL: V - LI,ME-INS,CONST UL REC

FORM: 3531 REV_4 2/27/06





Data Sheet

Date: 4/13/2020 TCA7P52AE251GAA009

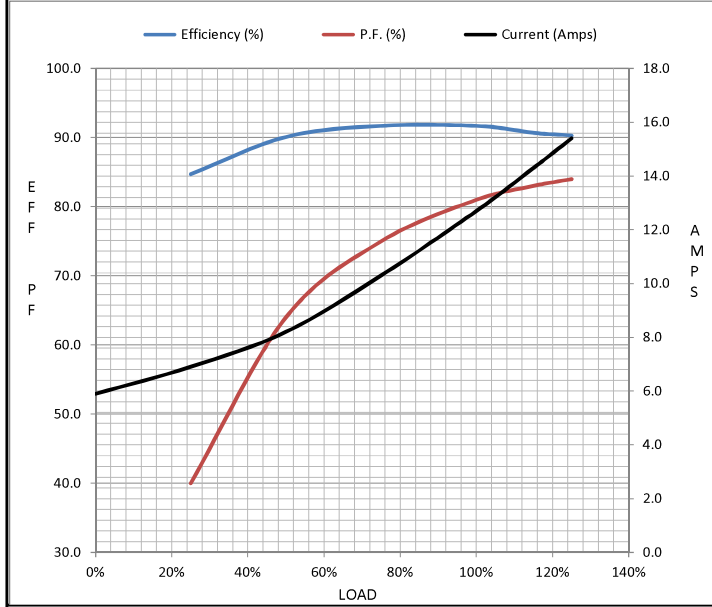
Customer: _____

Attention: _____ **Submittal**

Submitted by: _____ Data @ 460 V

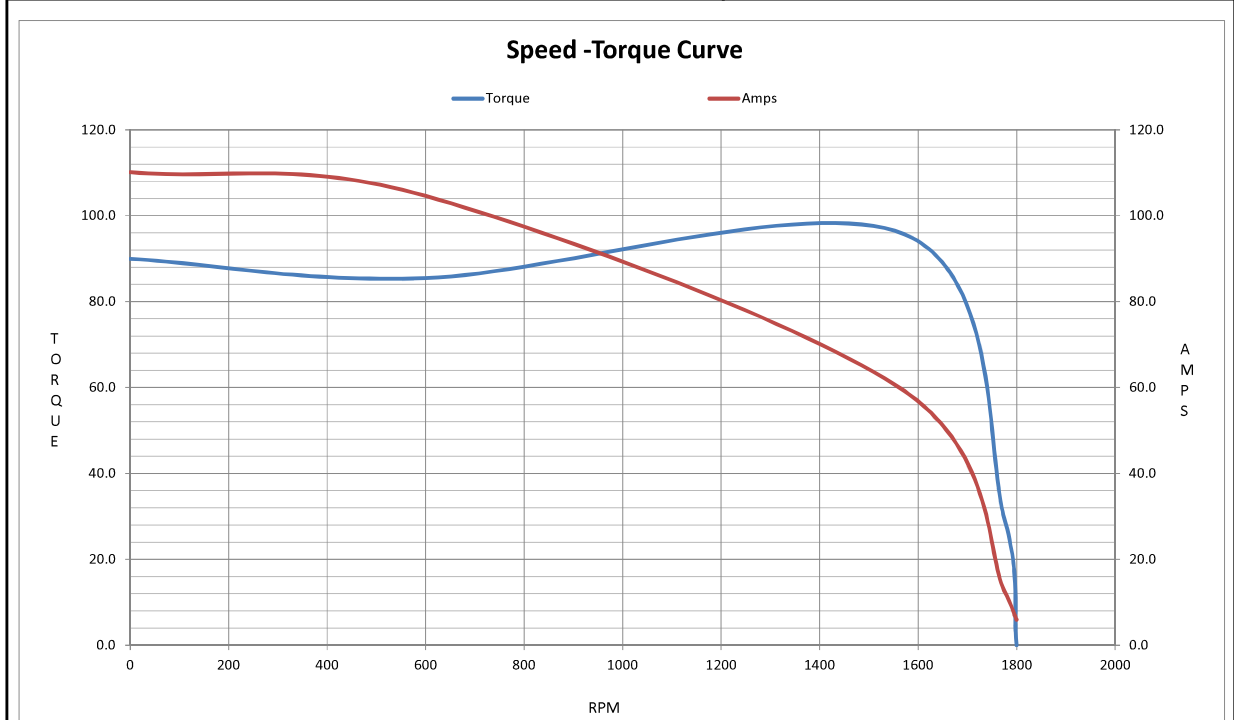
Motor Load Data									
Load	0%	25%	50%	75%	100%	115%	125%	LR	
Current (Amps)	5.9	6.9	8.2	10.3	12.7	14.3	15.4	110	
Torque (ft-lb)	0.00	7.3	14.7	22.1	29.6	34.2	37.2	90.0	
RPM	1800	1794	1787	1781	1775	1,769	1766	0	
Efficiency (%)		84.7	90.1	91.7	91.7	90.7	90.3		
P.F. (%)	7.0	40.0	64.0	75.0	81.0	83.0	84.0	63.4	

Motor Speed Data						Information Block	
	LR	Pull-Up	BD	Rated	Idle		
Speed (RPM)	0	600	1572	1775	1800	HP	10.0
Current (Amps)	110	105	59.2	12.7	5.9	Sync. RPM	1800
Torque (ft-lb)	90.0	85.5	95.7	29.6	0.00	Frame	132
						Enclosure	TEFC
						Construction	TCA 132M04
						Voltage	230/460#200/400 V
						Frequency	60 Hz
						Design	N
						LR Code letter	K
						Service Factor	1.15
						Temp Rise @ FL	80 °C
						Duty	CONT
						Ambient	40 °C
						Elevation	3,300 feet
						Rotor/Shaft wk ²	1.31 Lb-Ft ²
						Ref Wdg	IE3L1324202 NONE
						Sound Pressure @ 1M	65 dBA
						VFD Rating	CONSTANT 2:1/VARIABLE 10:1
						Outline Dwg	SS620952
						Conn. Diag	8442000677
Additional Specifications:							
0							
0							
EQUIV CKT (OHMS / PHASE)							
	R1	R2	X1	X2	Xm		
	0.6520	0.3400	1.5600	2.2120	45.0440		



Information Block

HP	10.0				
Sync. RPM	1800				
Frame	132				
Enclosure	TEFC				
Construction	TCA 132M04				
Voltage	230/460#200/400 V				
Frequency	60 Hz				
Design	N				
LR Code letter	K				
Service Factor	1.15				
Temp Rise @ FL	80 °C				
Duty	CONT				
Ambient	40 °C				
Elevation	3,300 feet				
Rotor/Shaft wk ²	1.31 Lb-Ft ²				
Ref Wdg	IE3L1324202 NONE				
Sound Pressure @ 1M	65 dBA				
VFD Rating	CONSTANT 2:1/VARIABLE 10:1				
Outline Dwg	SS620952				
Conn. Diag	8442000677				
Additional Specifications:					
0					
0					
EQUIV CKT (OHMS / PHASE)					
	R1	R2	X1	X2	Xm
	0.6520	0.3400	1.5600	2.2120	45.0440



EC Declaration of Conformity

The undersigned representing
the manufacturer:

Regal Beloit America
100 East Randolph St.
Wausau, WI 54401

and the authorized representative
established within the Community:

Marathon Electric UK
6F Thistleton Road Ind. Estate
Market Overton
Oakham, Rutland LE15 7PP UK

are committed to providing customers with products that comply with applicable regulations and international protocols to which they are subject, including the requirements of the European Parliament Directive on the Harmonization of the laws relating to electrical equipment designed for use within certain voltage limits (2014/35/EU).

Regal Beloit America declares that the following product(s), to which this declaration relates, are in conformity with the relevant sections of the EC standards listed below.

This statement supersedes any statements previously issued pertaining to the product(s) listed below and is subject to change without notice.

Model No : TCA7P52AE251GAA009

(Model No. may contain prefix and/or suffix characters)

Catalog No : R931

Rework No : N/A

Directives :

Low Voltage Directive 2014/35/EU

Harmonized Standards Used :

EN 60034-1: 2010 (IEC 60034-1: 2010)

EN 60034-5: 2001/A1:2007 (IEC 60034-5: 2000/A1:2006)

Authorized Representative:



Michael A. Logsdon
Vice President, Technology

Authorized Representative in the Community:



Julian Clark
Marketing Engineer

Created on 09/01/2022

CE 22