

# PRODUCT INFORMATION PACKET

Model No: TCA7P51AP211GAA009

Catalog No: R430B

Cast Iron Motor, 10 HP, 3 Ph, 60 Hz, 575 V, 3600 RPM, 132S Frame, TEFC



Regal and Marathon are trademarks of Regal Rexnord Corporation or one of its affiliated companies.  
©2022 Regal Rexnord Corporation, All Rights Reserved. MC017097E



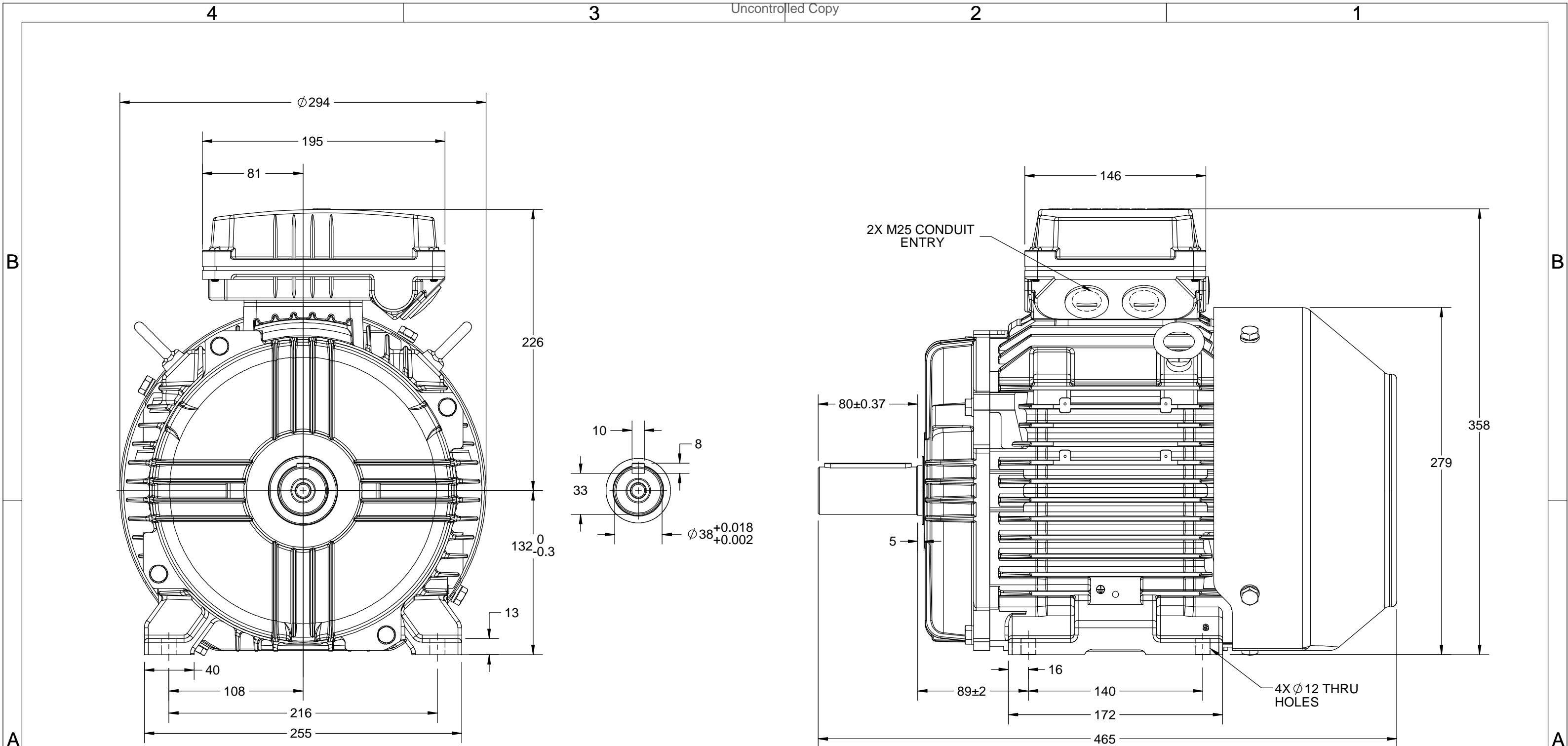
### Nameplate Specifications

Output HP	<b>10 Hp</b>	Output KW	<b>7.5 kW</b>
Frequency	<b>60 Hz</b>	Voltage	<b>575 V</b>
Current	<b>9.5 A</b>	Speed	<b>3540 rpm</b>
Service Factor	<b>1.15</b>	Phase	<b>3</b>
Efficiency	<b>90.2 %</b>	Power Factor	<b>88</b>
Duty	<b>Continuous</b>	Insulation Class	<b>F</b>
Design Code	<b>N (IEC)</b>	KVA Code	<b>J</b>
Frame	<b>132S</b>	Enclosure	<b>Totally Enclosed Fan Cooled</b>
Thermal Protection	<b>No Protection</b>	Ambient Temperature	<b>40 °C</b>
Drive End Bearing Size	<b>6308</b>	Opp Drive End Bearing Size	<b>6208</b>
UL	<b>Recognized</b>	CSA	<b>N</b>
CE	<b>Y</b>	IP Code	<b>55</b>
Number of Speeds	<b>1</b>	Efficiency Class	<b>IE3</b>

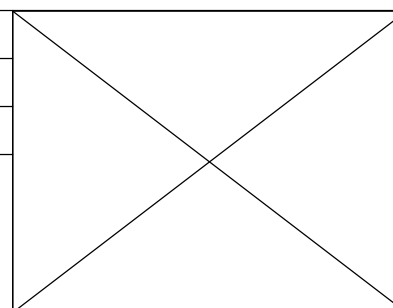
### Technical Specifications

Electrical Type	<b>Squirrel Cage Inverter Rated</b>	Starting Method	<b>Line Or Inverter</b>
Poles	<b>2</b>	Rotation	<b>Reversible</b>
Resistance Main	<b>1.24 Ohms</b>	Mounting	<b>B3</b>
Motor Orientation	<b>Horizontal</b>	Drive End Bearing	<b>Ball</b>
Opp Drive End Bearing	<b>Ball</b>	Frame Material	<b>Cast Iron</b>
Shaft Type	<b>IEC</b>	Overall Length	<b>18.31 in</b>
Frame Length	<b>7.95 in</b>	Shaft Diameter	<b>1.496 in</b>
Shaft Extension	<b>3.15 in</b>	Assembly/Box Mounting	<b>F3</b>
Inverter Load	<b>CONSTANT 2:1/VARIABLE 10:1</b>		
Connection Drawing	<b>8442000685</b>	Outline Drawing	<b>SS810118</b>



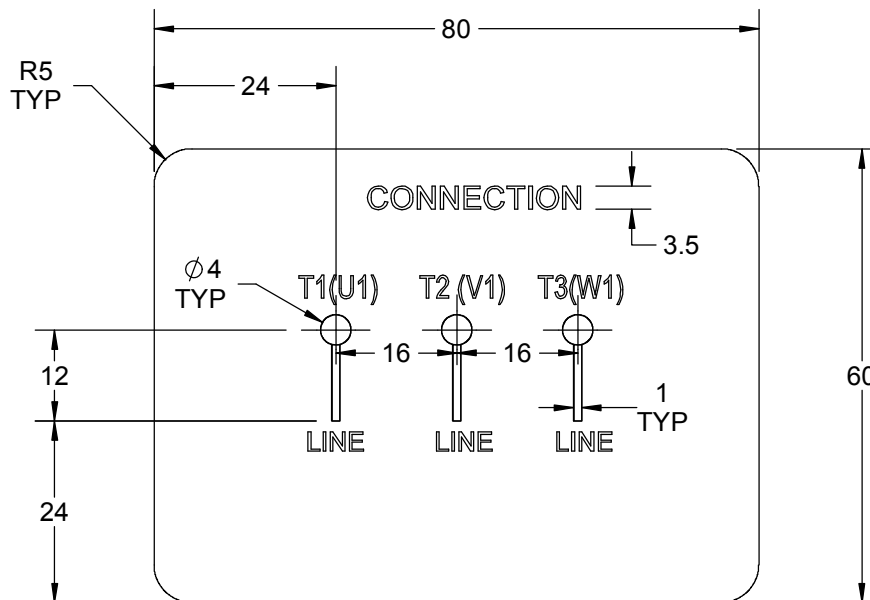


DRAWING REVISION A	REVISION BY NIV	DATE 04/12/2018
ECO ECO-0157171	APPROVED BY JAY	DATE 04/12/2018
ECO DESCRIPTION <b>NEW DRAWING RELEASE</b> COPYRIGHT REGAL BELOIT AMERICA, INC. ALL RIGHTS RESERVED. PROPRIETARY AND CONFIDENTIAL INFORMATION - THIS DOCUMENT IS THE PROPERTY OF REGAL BELOIT AMERICA, INC. ("OWNER") AND CONTAINS OWNER'S PROPRIETARY INFORMATION. ANY PERSON, CORPORATION OR OTHER FIRM RECEIVING IT IS DEEMED, BY RECEIVING IT, TO AGREE THAT IT, AND/OR ANY PART OF IT, SHALL NOT BE DISCLOSED TO ANY PERSON, CORPORATION OR OTHER ENTITY, DUPLICATED, AND/OR USED, EXCEPT AS EXPRESSLY APPROVED IN WRITING IN ADVANCE BY OWNER. THIS DOCUMENT SHALL BE RETURNED TO OWNER UPON REQUEST. IT MAY BE SUBJECT TO CERTAIN RESTRICTIONS UNDER APPLICABLE EXPORT CONTROL LAWS AND REGULATIONS.		



DRAWN BY NIV	<b>marathon™ Motors</b>	
DATE 04/12/2018		
APPROVED BY JAY	DESCRIPTION <b>OUTLINE</b> IEC-132S-FR.- B3 MOTOR TYPE :TEFC-CAST IRON	
DATE 04/12/2018	MATERIAL	PROCESS/FINISH
REFERENCE	SIZE B	DRAWING NUMBER <b>SS810118</b>
THIRD ANGLE PROJECTION		SHEET 1 OF 1

GENERAL TOLERANCE		
LINEAR DIM	>0~6	±0.1
	>6~30	±0.2
	>30~120	±0.3



NOTES:

1. PRESSURE-SENSITIVE ADHESIVE TAPE COATED WITH ANTI-ADHESIVE.
2. YELLOW COLOR BACK GROUND LETTERS WILL BE BLACK.
3. THE TOLERANCE OF THE LINEAR SIZE OF THE TOLERANCE WITHOUT THE TOLERANCE BY THE TABLE.
4. LEAD TERMINAL MARKINGS FONT SIZE : T1-T2 - T3 & U1-V1-W1 OF ARIAL WITH 3mm SIZE
5. OTHER LETTER FONT SIZE SHOULD BE 3.5mm.

DRAWING REVISION A	REVISION BY A. KEETHA	DATE 25/07/2019		DRAWN BY A. KEETHA	Regal Beloit America, Inc.	
ECO ECO-0171114	APPROVED BY SN	DATE 25/07/2019		DATE 24/07/2019		
ECO DESCRIPTION NEW DRAWING RELEASE				APPROVED BY SN	DESCRIPTION CONNECTION DIAGRAM 3 LEAD CONNECTION	
COPYRIGHT REGAL BELOIT AMERICA, INC. ALL RIGHTS RESERVED. PROPRIETARY AND CONFIDENTIAL INFORMATION - THIS DOCUMENT IS THE PROPERTY OF REGAL BELOIT AMERICA, INC. ("OWNER") AND CONTAINS OWNER'S PROPRIETARY INFORMATION. ANY PERSON, CORPORATION OR OTHER FIRM RECEIVING IT IS DEEMED, BY RECEIVING IT, TO AGREE THAT IT, AND/OR ANY PART OF IT, SHALL NOT BE DISCLOSED TO ANY PERSON, CORPORATION OR OTHER ENTITY, DUPLICATED, AND/OR USED, EXCEPT AS EXPRESSLY APPROVED IN WRITING IN ADVANCE BY OWNER. THIS DOCUMENT SHALL BE RETURNED TO OWNER UPON REQUEST. IT MAY BE SUBJECT TO CERTAIN RESTRICTIONS UNDER APPLICABLE EXPORT CONTROL LAWS AND REGULATIONS.				DATE 24/07/2019	MATERIAL	PROCESS/FINISH
				REFERENCE	THIRD ANGLE PROJECTION	SIZE A



P.O. BOX 8003  
WAUSAU, WI 54401-8003  
PH. 715-675-3311

DATA VOLTS: 575

**CERTIFICATION DATA SHEET**

CUSTOMER: \_\_\_\_\_  
ORDER #: \_\_\_\_\_  
CONN. DIAGRAM: 8442000685  
OUTLINE: SS810118  
WINDING: IE3L1322202 NONE 3  
SPEED: \_\_\_\_\_

CUSTOMER P.O. #: \_\_\_\_\_  
REFERENCE MODEL #: TCA7P51AP211GAA009  
CAT #: R430B  
CUSTOMER PART #: \_\_\_\_\_  
MOUNTING: F3

**TYPICAL MOTOR PERFORMANCE DATA**

HP	KW	SYNC RPM	FL RPM	FRAME	ENCLOSURE	TYPE	KVA CODE	DESIGN
10	7.5	3600	3540	132S	TEFC	TCA 132SB02	J	N

PH	HZ	VOLTS	AMPS	START TYPE	DUTY	INSL	S.F.	AMB (° C)	ELEV.(Ft.)
3	60	575	9.5	LINE OR INVERTER	CONT	F	1.15	40	3300

F.L. EFF	90.2	3/4 LD EFF	90.2	1/2 LD EFF	89.0	GTD EFF	ELECT. TYPE
F.L. PF	88.0	3/4 LD PF	83.0	1/2 LD PF	74.0	88.7	SQ CAGE INV RATED

F.L. TORQUE	LR AMPS @ 460 V	L.R. TORQUE	B.D. TORQUE	F.L. RISE (° C)
14.8 LB-FT	63.2	28.0 LB-FT 189%	41.0 LB-FT 277%	80

SOUND PRESSURE @ 3 FT.	SOUND POWER	ROTOR WK <sup>2</sup>	MAX. LOAD WK <sup>2</sup>	SAFE STALL TIME	STARTS/HOUR	APROX. MOTOR WGT
72 dBA	81 dBA	0.51 LB-FT <sup>2</sup>	0.51 LB-FT <sup>2</sup>	10 SEC.	2	85 KG.

**\*\*\* SUPPLEMENTAL INFORMATION \*\*\***

DE BRACKET TYPE	ODE BRACKET TYPE	MOUNT TYPE	MOTOR ORIENTATION	SEVERE DUTY	HAZARDOUS LOCATION	DRIP COVER	SCREENS	PAIN
STANDARD	STANDARD	B3	HORIZONTAL	NO	NONE	NO	NONE	BLUE (ENAMEL)

BEARINGS		GREASE	SHAFT TYPE	SPECIAL DE	SPECIAL ODE	SHAFT MATERIAL	FRAME MATERIAL
DE BALL	ODE BALL	POLYREX EM	STANDARD IEC	NONE	NONE	1045 HOT ROLLED (C-204)	CAST IRON
6308	6208						

THERMOSTATS	PROTECTORS	WDG RTD's	BRG RTD's	THERMISTORS	CONTROL	SPACE HEATERS
NONE	NOT	NONE	NONE	NONE	FALSE	NA

R1 (ohms/ph)	R2 (ohms/ph)	X1 (ohms/ph)	X2 (ohms/ph)	Xm (ohms/ph)	VIBRATION (in/sec)	FLOAT
1.870	0.969	3.739	2.839	140.509	0.150	ODE

* N O T E S *	INVERTER TORQUE: CONSTANT 2:1/VARIABLE 10:1 INV. HP SPEED RANGE: NONE					
	ENCODER: NONE					
	NONE					
	NONE PPR					
	BRAKE: NONE					

PREPARED BY: _____	BRAKE: NONE
DATE: 11/10/2020	NONE NONE
	FT-LB: NA
	VOLTAGE: NONE
	HZ: _____
	UL: V - LI,ME-INS,CONST UL REC

FORM: 3531 REV\_4 2/27/06



**Data Sheet**

TCA7P51AP211GAA009

Date: 5/29/2019  
Customer: \_\_\_\_\_  
Attention: \_\_\_\_\_

**Submittal**

Submitted by: Fareeda Dudekula

Data @ 575 V

**Motor Load Data**

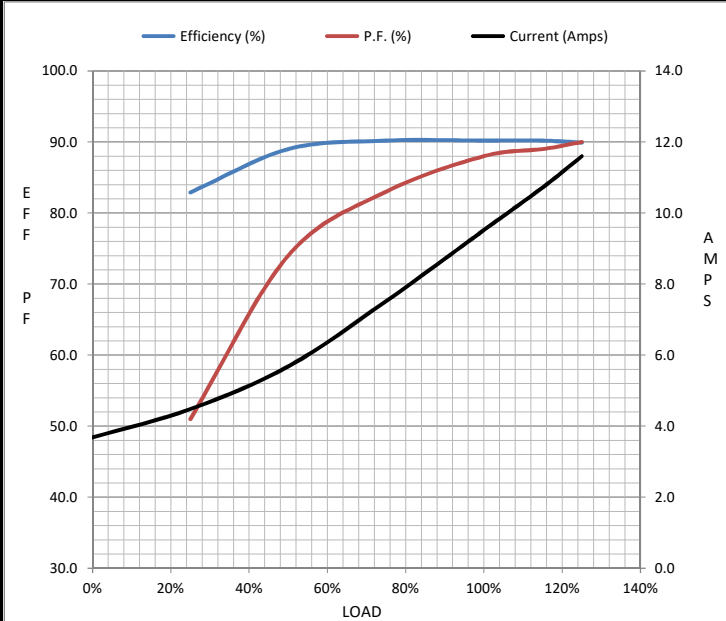
Load	0%	25%	50%	75%	100%	115%	125%	LR
Current (Amps)	3.7	4.5	5.7	7.5	9.5	10.7	11.6	63.2
Torque (ft-lb)	0.00	3.7	7.4	11.1	14.8	17.1	18.6	28.0
RPM	3600	3585	3570	3556	3540	3,530	3523	0
Efficiency (%)		82.9	89.0	90.2	90.2	90.2	89.9	
P.F. (%)	10.0	51.0	74.0	83.0	88.0	89.0	90.0	45.0

**Motor Speed Data**

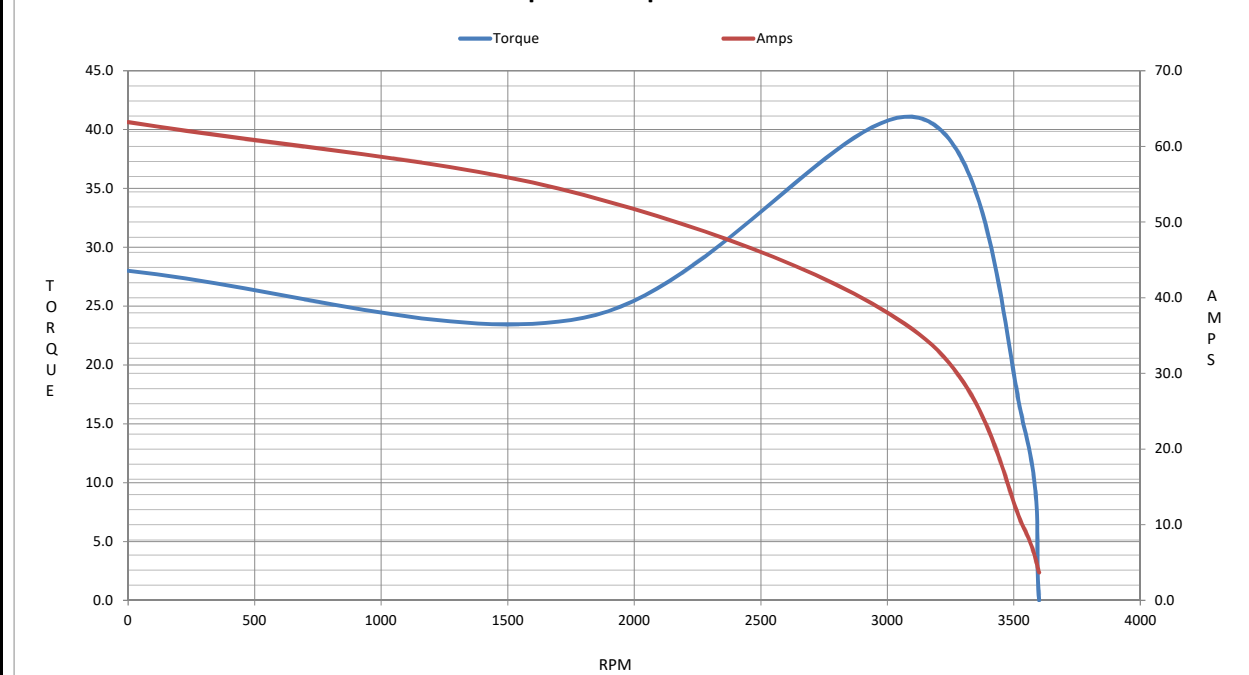
	LR	Pull-Up	BD	Rated	Idle
Speed (RPM)	0	1800	3125	3540	3600
Current (Amps)	63.2	53.6	35.2	9.5	3.7
Torque (ft-lb)	28.0	24.0	41.0	14.8	0.00

**Information Block**

HP	10.0			
Sync. RPM	3600			
Frame	132			
Enclosure	TEFC			
Construction	TFSTCA 132SB			
Voltage	575 V			
Frequency	60 Hz			
Design	N			
LR Code letter	J			
Service Factor	1.15			
Temp Rise @ FL	80 °C			
Duty	CONT			
Ambient	40 °C			
Elevation	3,300 feet			
Rotor/Shaft wk <sup>2</sup>	0.51 Lb-Ft <sup>2</sup>			
Ref Wdg	IE3L1322202 NONE			
Sound Pressure @ 1M	68 dBA			
VFD Rating	CONSTANT 2:1/VARIABLE 10:1			
Outline Dwg	SS810118			
Conn. Diag	8442000677			
Additional Specifications:				
0				
0				
EQUIV CKT (OHMS / PHASE)				
R1	R2	X1	X2	Xm
1.1970	0.6200	2.3930	1.8170	89.9260



**Speed - Torque Curve**



## EC Declaration of Conformity

The undersigned representing  
the manufacturer:

Regal Beloit America  
100 East Randolph St.  
Wausau, WI 54401

and the authorized representative  
established within the Community:

Marathon Electric UK  
6F Thistleton Road Ind. Estate  
Market Overton  
Oakham, Rutland LE15 7PP UK

are committed to providing customers with products that comply with applicable regulations and international protocols to which they are subject, including the requirements of the European Parliament Directive on the Harmonization of the laws relating to electrical equipment designed for use within certain voltage limits (2014/35/EU).

Regal Beloit America declares that the following product(s), to which this declaration relates, are in conformity with the relevant sections of the EC standards listed below.

This statement supersedes any statements previously issued pertaining to the product(s) listed below and is subject to change without notice.

Model No : TCA7P51AP211GAA009

(Model No. may contain prefix and/or suffix characters)

Catalog No : R430B

Rework No : N/A

Directives :

Low Voltage Directive 2014/35/EU

Harmonized Standards Used :

EN 60034-1: 2010 (IEC 60034-1: 2010)

EN 60034-5: 2001/A1:2007 (IEC 60034-5: 2000/A1:2006)

Authorized Representative:



Michael A. Logsdon  
Vice President, Technology

Authorized Representative in the Community:



Julian Clark  
Marketing Engineer

Created on 09/01/2022

**CE 22**