

# PRODUCT INFORMATION PACKET

Model No: TCA5P52A3133GACD01

Catalog No: TCA5P52A3133GACD01

Cast Iron Motor, 7.50 HP, 3 Ph, 50 Hz, 415 V, 1500 RPM, 132S Frame, TEFC



Regal and Marathon are trademarks of Regal Rexnord Corporation or one of its affiliated companies.

©2022 Regal Rexnord Corporation, All Rights Reserved. MC017097E



### Nameplate Specifications

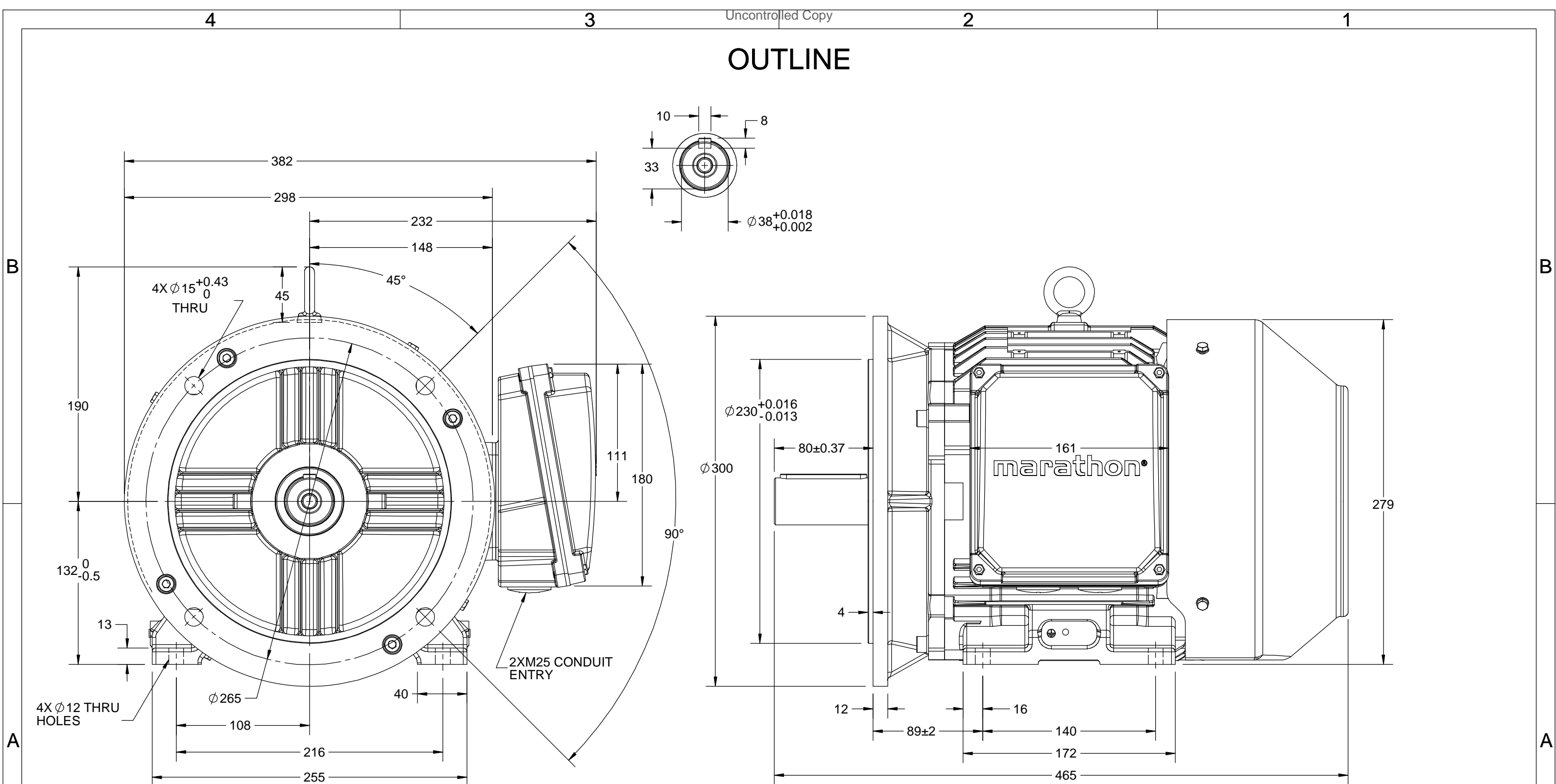
Output HP	<b>7.50 Hp</b>	Output KW	<b>5.5 kW</b>
Frequency	<b>50 Hz</b>	Voltage	<b>415 V</b>
Current	<b>10.3 A</b>	Speed	<b>1469 rpm</b>
Service Factor	<b>1</b>	Phase	<b>3</b>
Efficiency	<b>89.6 %</b>	Power Factor	<b>0.83</b>
Duty	<b>S1</b>	Insulation Class	<b>F</b>
Frame	<b>132S</b>	Enclosure	<b>Totally Enclosed Fan Cooled</b>
Thermal Protection	<b>No Protection</b>	Ambient Temperature	<b>50 °C</b>
Drive End Bearing Size	<b>6308</b>	Opp Drive End Bearing Size	<b>6208</b>
UL	<b>No</b>	CSA	<b>No</b>
CE	<b>Yes</b>	IP Code	<b>55</b>
Number of Speeds	<b>1</b>	Efficiency Class	<b>IE3</b>

### Technical Specifications

Electrical Type	<b>Squirrel Cage</b>	Starting Method	<b>Direct On Line</b>
Poles	<b>4</b>	Rotation	<b>Bi-Directional</b>
Mounting	<b>B35</b>	Motor Orientation	<b>Horizontal</b>
Drive End Bearing	<b>2z-C3</b>	Opp Drive End Bearing	<b>2z-C3</b>
Frame Material	<b>Cast Iron</b>	Shaft Type	<b>Keyed</b>
Overall Length	<b>465 mm</b>	Frame Length	<b>202 mm</b>
Shaft Diameter	<b>38 mm</b>	Shaft Extension	<b>80 mm</b>
Assembly/Box Mounting	<b>R Side</b>		
Outline Drawing	<b>0213200963</b>	Connection Drawing	<b>8442000085</b>

This is an uncontrolled document once printed or downloaded and is subject to change without notice. Date Created:12/01/2022

# OUTLINE



DRAWING REVISION B	REVISION BY BISWA	DATE 16/07/2018
ECO ECO-0148344	APPROVED BY SBD	DATE 16/07/2018
ECO DESCRIPTION <b>DRAWING UPDATED</b> COPYRIGHT REGAL BELOIT AMERICA, INC. ALL RIGHTS RESERVED. PROPRIETARY AND CONFIDENTIAL INFORMATION - THIS DOCUMENT IS THE PROPERTY OF REGAL BELOIT AMERICA, INC. ("OWNER") AND CONTAINS OWNER'S PROPRIETARY INFORMATION. ANY PERSON, CORPORATION OR OTHER FIRM RECEIVING IT IS DEEMED, BY RECEIVING IT, TO AGREE THAT IT, AND/OR ANY PART OF IT, SHALL NOT BE DISCLOSED TO ANY PERSON, CORPORATION OR OTHER ENTITY, DUPLICATED, AND/OR USED, EXCEPT AS EXPRESSLY APPROVED IN WRITING IN ADVANCE BY OWNER. THIS DOCUMENT SHALL BE RETURNED TO OWNER UPON REQUEST. IT MAY BE SUBJECT TO CERTAIN RESTRICTIONS UNDER APPLICABLE EXPORT CONTROL LAWS AND REGULATIONS.		

DRAWN BY SN	<b>marathon™</b> Motors	
DATE 11/08/2018		
APPROVED BY SBD	DESCRIPTION <b>OUTLINE</b> 132S FR- B35 MTG.TYPE: TCA/QCA-RHS TB	
DATE 11/08/2018	MATERIAL	PROCESS/FINISH
REFERENCE	SIZE B	DRAWING NUMBER 0213200963
THIRD ANGLE PROJECTION	SHEET 1 OF 1	

COPYRIGHT REGAL BELOIT AMERICA, INC. ALL RIGHTS RESERVED. UNAUTHORIZED REPRODUCTION OR DISTRIBUTION OF THIS DOCUMENT IS PROHIBITED. REGAL BELOIT AMERICA, INC. ("OWNER") AND CONTAINS OWNER'S PROPRIETARY INFORMATION. ANY PERSON, CORPORATION OR OTHER FIRM RECEIVING IT IS DEEMED, BY RECEIVING IT, TO AGREE THAT IT, AND/OR ANY PART OF IT, SHALL NOT BE DISCLOSED TO ANY PERSON, CORPORATION OR OTHER ENTITY, DUPLICATED, AND/OR USED, EXCEPT AS EXPRESSLY APPROVED IN WRITING IN ADVANCE BY OWNER. THIS DOCUMENT SHALL BE RETURNED TO OWNER UPON REQUEST. IT MAY BE SUBJECT TO CERTAIN RESTRICTIONS UNDER APPLICABLE EXPORT CONTROL LAWS AND REGULATIONS.

DRAWING REVISION <b>A</b>	REVISION BY <b>SN</b>	DATE <b>13/01/2017</b>
ECO <b>ECO-0116390</b>	APPROVED BY <b>SBD</b>	DATE <b>13/01/2017</b>
ECO DESCRIPTION <b>NEW DRAWING RELEASE</b>		

GEOMETRIC TOLERANCE		
LINEAR DIM	>0~6	±0.1
	>6~30	±0.2
	>30~120	±0.3



**NOTES:**

1. PRESSURE-SENSITIVE ADHESIVE COATED PAPER ON THE BACK OF SELF-ADHESIVE.
2. AT THE END OF YELLOW, WORDS, SYMBOLS, LETTERS ARE BLACK, BORDER IS BLACK.
3. THE TOLERANCE OF THE LINEAR SIZE OF THE TOLERANCE WITHOUT THE TOLERANCE BY THE TABLE.

8WD.442.2017



DRAWN BY <b>SN</b>	 <b>Regal Beloit America, Inc.</b>			
			DESCRIPTION <b>CONN DIAGRAM-NAMEPLATE</b>	
	DATE <b>16/12/2016</b>	MATERIAL		PROCESS/FINISH
	APPROVED BY <b>SBD</b>	DRAWING NUMBER <b>8442000085</b>		SHEET <b>1 OF 1</b>
	DATE <b>16/12/2016</b>	THIRD ANGLE PROJECTION 		

**Model No.** TCA5P52A3133GACD01

U (V)	Δ / Y Conn	f (Hz)	P		I [A]	n [RPM]	T [Nm]	IE Class	% EFF at __ load				PF at __ load			I <sub>A</sub> /I <sub>N</sub> [pu]	T <sub>A</sub> /T <sub>N</sub> [pu]	T <sub>R</sub> /T <sub>N</sub> [pu]
			[kW]	[hp]					5/4FL	FL	3/4FL	1/2FL	FL	3/4FL	1/2FL			
415	Δ	50	5.5	7.5	10.3	1469	36.38	IE3	-	89.6	89.6	89.6	0.83	0.78	0.66	6.9	2.4	2.9

Motor type	TCA
Enclosure	TEFC
Frame Material	Cast Iron
Frame size	132S
Duty	S1
Voltage variation *	± 10%
Frequency variation *	± 5%
Combined variation *	10%
Design	N
Service factor	1.0
Insulation class	F
Ambient temperature	-20 to +50 °C
Temperature rise (by resistance)	70 [ Class B ] K
Altitude above sea level	1000 meter
Hazardous area classification	NA
Zone classification	NA
Gas group	NA
Temperature class	NA
Rotor type	Aluminum Die cast
Bearing type	Anti-friction ball bearing
DE / NDE bearing	6308-2Z / 6208-2Z
Lubrication method	Greased for life
Type of grease	NA

Degree of protection	IP 55
Mounting type	IM B35
Cooling method	IC 411
Motor weight - approx.	86 kg
Gross weight - approx.	89 kg
Motor inertia	0.0446 kgm <sup>2</sup>
Load inertia	Customer to Provide
Vibration level	1.6 mm/s
Noise level ( 1meter distance from motor)	61 dB(A)
No. of starts hot/cold/Equally spread	2/3/4
Starting method	DOL
Type of coupling	Direct
LR withstand time (hot/cold)	12/25 s
Direction of rotation	Bi-directional
Standard rotation	Clockwise form DE
Paint shade	RAL 5014
Accessories	
Accessory - 1	-
Accessory - 2	-
Accessory - 3	-
Terminal box position	RHS
Maximum cable size/conduit size	1R x 3C x 16mm <sup>2</sup> /2 x M25 x 1.5
Auxiliary terminal box	NA

I<sub>A</sub>/I<sub>N</sub> - Locked Rotor Current / Rated Current  
T<sub>A</sub>/T<sub>N</sub> - Locked Rotor Torque / Rated Torque

T<sub>R</sub>/T<sub>N</sub> - Breakdown Torque / Rated Torque

**NOTE**

All performance values at rated voltage and frequency.  
All performance parameters are subjected to standard tolerance as per IEC 60034-1  
\* Voltage, Frequency and combine variation are as per IEC60034-1

Technical data are subject to change. There may be discrepancies between calculated and name plate values.

Efficiency Standards	Europe	China	India	Aus/Nz	Brazil	Global IEC
	-	-	IS 12615 : 2018	-	-	-



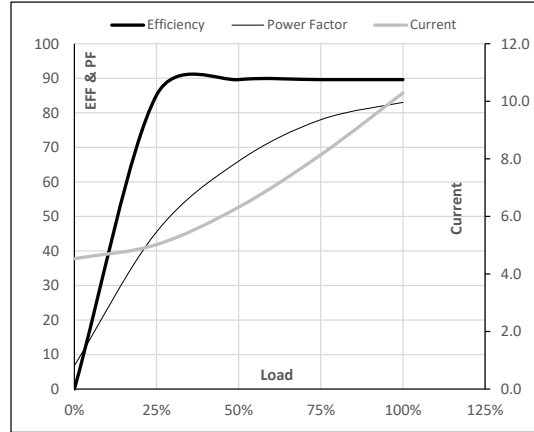
**Model No.** TCA5P52A3133GACD01

Enclosure	U (V)	Δ / Y Conn	f (Hz)	P [kW]	P [hp]	I [A]	n [RPM]	T [kgm]	T [Nm]	IE Class	Amb [°C]	Duty	Elevation [m]	Inertia [kg-m <sup>2</sup> ]	Weight [kg]
TEFC	415	Δ	50	5.5	7.5	10.3	1469	3.71	36.38	IE3	50	S1	1000	0.0446	86

**Motor Load Data**

Load Point		NL	1/4FL	1/2FL	3/4FL	FL	5/4FL
Current	A	4.5	5.0	6.3	8.1	10.3	
Torque	Nm	0.0	8.9	18.0	27.1	36.4	
Speed	r/min	1500	1493	1485	1478	1469	
Efficiency	%	0.0	85.1	89.6	89.6	89.6	
Power Factor	%	6.8	45.5	66.0	78.0	83.0	

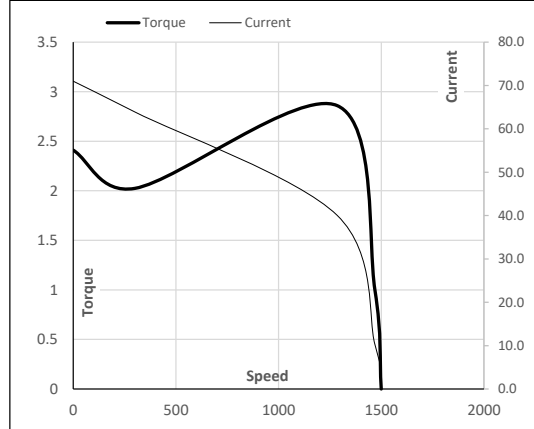
**Performance vs Load Chart**



**Motor Speed Torque Data**

Load Point	LR	P-Up	BD	Rated	NL	
Speed	r/min	0	300	1285	1469	1500
Current	A	71.0	63.9	40.1	10.3	4.5
Torque	pu	2.4	2.0	2.9	1	0

**Starting Characteristics Chart**



**NOTE** Refer data sheet for applicable standard and tolerances on performance parameters

Issued By  
Issued Date





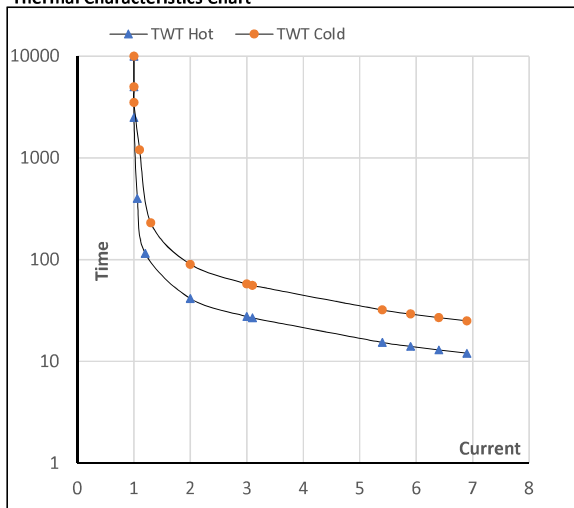
**Model No.** TCA5P52A3133GACD01

Enclosure	U (V)	Δ / Y Conn	f [Hz]	P [kW]	P [hp]	I [A]	n [rpm]	T [kgm]	T [Nm]	IE Class	Amb [°C]	Duty	Elevation [m]	Inertia [kg·m <sup>2</sup> ]	Weight [kg]
TEFC	415	Δ	50	5.5	7.5	10.3	1469	3.71	36.38	IE3	50	S1	1000	0.0446	86

**Motor Speed Torque Data**

Load	FL	I <sub>1</sub>	I <sub>2</sub>	I <sub>3</sub>	I <sub>4</sub>	I <sub>5</sub>	LR	
TWT Hot	s 10000	41	28	25	16	15	12	
TWT Cold	s 10000	90	58	50	33	31	25	
Current	pu	1	2	3	4	5	5.5	6.9

**Thermal Characteristics Chart**



**NOTE** Refer data sheet for applicable standard and tolerances on performance parameters

Issued By  
Issued Date

