

PRODUCT INFORMATION PACKET

Model No: TCA2P23AE231GAA009

Catalog No: R823

TerraMAX® Cast Iron Motor, 3 & 2 HP, 3 Ph, 60 & 50 Hz, 230/460 & 200/400 V, 1200 & 1000 RPM,
112M Frame, TEFC



Regal and Marathon are trademarks of Regal Rexnord Corporation or one of its affiliated companies.

©2023 Regal Rexnord Corporation, All Rights Reserved. MC017097E

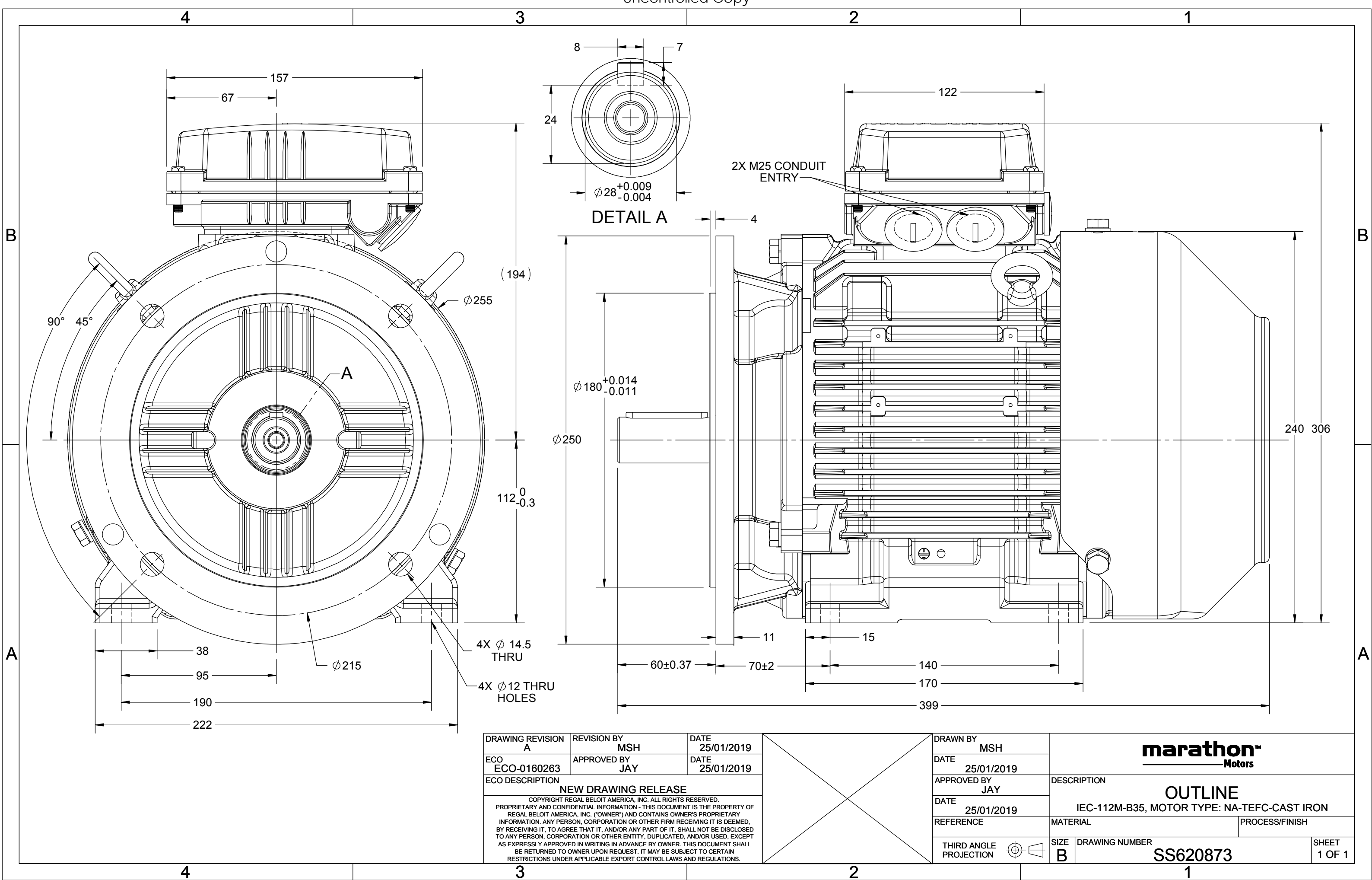
Nameplate Specifications

Phase	3	Output HP	3 & 2 Hp
Output KW	2.2 & 1.5 kW	Voltage	230/460 & 200/400 V
Speed	1170 & 980 rpm	Service Factor	1.15 & 1.15
Frame	112M	Enclosure	Totally Enclosed Fan Cooled
Thermal Protection	No Protection	Efficiency	89.5 & 82.5 %
Ambient Temperature	40 °C	Frequency	60 & 50 Hz
Current	8.8/4.4 & 8.2/4.1 A	Power Factor	70
Duty	Continuous	Insulation Class	F
Design Code	N (IEC)	KVA Code	M
Drive End Bearing Size	6306	Opp Drive End Bearing Size	6206
UL	Recognized	CSA	N
CE	Y	IP Code	55
Number of Speeds	1	Efficiency Class	IE3

Technical Specifications

Electrical Type	Squirrel Cage Inverter Rated	Starting Method	Line Or Inverter
Poles	6	Rotation	Reversible
Resistance Main	3.31 Ohms	Mounting	B3
Motor Orientation	Horizontal	Drive End Bearing	Ball
Opp Drive End Bearing	Ball	Frame Material	Cast Iron
Shaft Type	IEC	Shaft Diameter	28.000 in
Assembly/Box Mounting	F3	Inverter Load	CONSTANT 2:1/VARIABLE 10:1
Connection Drawing	8442000675	Outline Drawing	SS620873

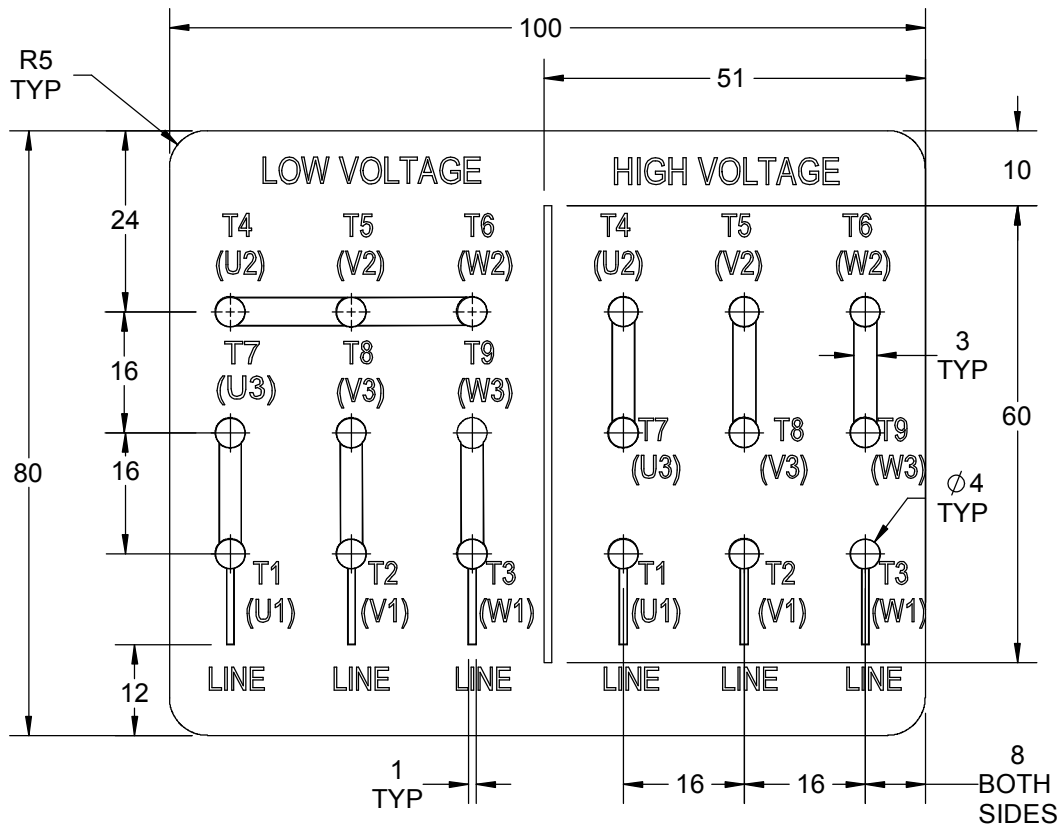
This is an uncontrolled document once printed or downloaded and is subject to change without notice. Date Created:06/22/2023



DRAWING REVISION A	REVISION BY MSH	DATE 25/01/2019
ECO ECO-0160263	APPROVED BY JAY	DATE 25/01/2019
ECO DESCRIPTION NEW DRAWING RELEASE COPYRIGHT REGAL BELOIT AMERICA, INC. ALL RIGHTS RESERVED. PROPRIETARY AND CONFIDENTIAL INFORMATION - THIS DOCUMENT IS THE PROPERTY OF REGAL BELOIT AMERICA, INC. ("OWNER") AND CONTAINS OWNER'S PROPRIETARY INFORMATION. ANY PERSON, CORPORATION OR OTHER FIRM RECEIVING IT IS DEEMED, BY RECEIVING IT, TO AGREE THAT IT, AND/OR ANY PART OF IT, SHALL NOT BE DISCLOSED TO ANY PERSON, CORPORATION OR OTHER ENTITY, DUPLICATED, AND/OR USED, EXCEPT AS EXPRESSLY APPROVED IN WRITING IN ADVANCE BY OWNER. THIS DOCUMENT SHALL BE RETURNED TO OWNER UPON REQUEST. IT MAY BE SUBJECT TO CERTAIN RESTRICTIONS UNDER APPLICABLE EXPORT CONTROL LAWS AND REGULATIONS.		

DRAWN BY MSH	marathon™ Motors	
DATE 25/01/2019		
APPROVED BY JAY	DESCRIPTION OUTLINE IEC-112M-B35, MOTOR TYPE: NA-TEFC-CAST IRON	
DATE 25/01/2019	MATERIAL	PROCESS/FINISH
REFERENCE	SIZE B	DRAWING NUMBER SS620873
THIRD ANGLE PROJECTION		SHEET 1 OF 1

GENERAL TOLERANCE		
LINEAR DIM	>0~6	±0.1
	>6~30	±0.2
	>30~120	±0.3



NOTES:

1. PRESSURE-SENSITIVE ADHESIVE TAPE COATED WITH ANTI-ADHESIVE.
2. YELLOW COLOR BACK GROUND LETTERS WILL BE BLACK.
3. THE TOLERANCE OF THE LINEAR SIZE OF THE TOLERANCE WITHOUT THE TOLERANCE BY THE TABLE.
4. LEAD TERMINAL MARKINGS FONT SIZE : T1-T12 & U1-U4,V1-V4& W1-W4 OF ARIAL WITH 3mm SIZE.
5. OTHER LETTER FONT SIZE SHOULD BE 3.5mm.

DRAWING REVISION B	REVISION BY NIV	DATE 05/03/2019		DRAWN BY NIV	Regal Beloit America, Inc.
ECO ECO-0162986	APPROVED BY JAY	DATE 05/03/2019		DATE 29/01/2019	
ECO DESCRIPTION UPDATED DRAWING				APPROVED BY JAY	DESCRIPTION CONNECTION DIAGRAM 9 LEADS- STAR CONNECTOR
<small>COPYRIGHT REGAL BELOIT AMERICA, INC. ALL RIGHTS RESERVED. PROPRIETARY AND CONFIDENTIAL INFORMATION - THIS DOCUMENT IS THE PROPERTY OF REGAL BELOIT AMERICA, INC. ("OWNER") AND CONTAINS OWNER'S PROPRIETARY INFORMATION. ANY PERSON, CORPORATION OR OTHER FIRM RECEIVING IT IS DEEMED, BY RECEIVING IT, TO AGREE THAT IT, AND/OR ANY PART OF IT, SHALL NOT BE DISCLOSED TO ANY PERSON, CORPORATION OR OTHER ENTITY, DUPLICATED, AND/OR USED, EXCEPT AS EXPRESSLY APPROVED IN WRITING IN ADVANCE BY OWNER. THIS DOCUMENT SHALL BE RETURNED TO OWNER UPON REQUEST. IT MAY BE SUBJECT TO CERTAIN RESTRICTIONS UNDER APPLICABLE EXPORT CONTROL LAWS AND REGULATIONS.</small>				DATE 29/01/2019	MATERIAL
			REFERENCE	SIZE A	DRAWING NUMBER 8442000675



P.O. BOX 8003
WAUSAU, WI 54401-8003
PH. 715-675-3311

DATA VOLTS: 460

CERTIFICATION DATA SHEET

CUSTOMER: _____
ORDER #: _____
CONN. DIAGRAM: 8442000675
OUTLINE: SS620873
WINDING: IE3L1126201 NONE 1
SPEED: _____

CUSTOMER P.O. #: _____
REFERENCE MODEL #: TCA2P23AE231GAA009
CAT #: R623
CUSTOMER PART #: _____
MOUNTING: F3

TYPICAL MOTOR PERFORMANCE DATA

HP	KW	SYNC RPM	FL RPM	FRAME	ENCLOSURE	TYPE	KVA CODE	DESIGN
3	2.2	1200	1170	112M	TEFC	TCA 112MA06	M	N

PH	HZ	VOLTS	AMPS	START TYPE	DUTY	INSL	S.F.	AMB (° C)	ELEV.(Ft.)
3	60/50	230/460#200/400	8.8/4.4&8.2/4.1	LINE OR INVERTER	CONT	F	1.15	40	3300

F.L. EFF	89.5	3/4 LD EFF	89.5	1/2 LD EFF	83.4	GTD EFF	ELECT. TYPE
F.L. PF	70.0	3/4 LD PF	61.0	1/2 LD PF	50.0	87.9	SQ CAGE INV RATED

F.L. TORQUE	LR AMPS @ 460 V	L.R. TORQUE	B.D. TORQUE	F.L. RISE (° C)
13.5 LB-FT	38.2	43.6 LB-FT 323%	51.4 LB-FT 381%	80

SOUND PRESSURE @ 3 FT.	SOUND POWER	ROTOR WK ²	MAX. LOAD WK ²	SAFE STALL TIME	STARTS/HOUR	APROX. MOTOR WGT
55 dBA	64 dBA	0.50 LB-FT ²	0.5 LB-FT ²	15 SEC.	2	60 KG.

***** SUPPLEMENTAL INFORMATION *****

DE BRACKET TYPE	ODE BRACKET TYPE	MOUNT TYPE	MOTOR ORIENTATION	SEVERE DUTY	HAZARDOUS LOCATION	DRIP COVER	SCREENS	PAIN
FF-FLANGE-215	STANDARD	B3	HORIZONTAL	NO	NONE	NO	NONE	BLUE (ENAMEL)

BEARINGS		GREASE	SHAFT TYPE	SPECIAL DE	SPECIAL ODE	SHAFT MATERIAL	FRAME MATERIAL
DE	ODE	POLYREX EM	STANDARD IEC	NONE	NONE	1045 HOT ROLLED (C-204)	CAST IRON
BALL	BALL						
6306	6206						

THERMOSTATS	PROTECTORS	WDG RTD's	BRG RTD's	THERMISTORS	CONTROL	SPACE HEATERS
NONE	NOT	NONE	NONE	NONE	FALSE	NA

R1 (ohms/ph)	R2 (ohms/ph)	X1 (ohms/ph)	X2 (ohms/ph)	Xm (ohms/ph)	VIBRATION (in/sec)	FLOAT
1.986	1.702	6.146	7.469	94.454	0.150	ODE

* N O T E S *	INVERTER TORQUE: CONSTANT 2:1/VARIABLE 10:1 INV. HP SPEED RANGE: NONE					
	ENCODER: NONE					
	NONE					
	NONE PPR					
	BRAKE: NONE					

PREPARED BY: _____	BRAKE: NONE
DATE: 11/27/2020	NONE
	FT-LB: NA
	VOLTAGE: NONE
	HZ: _____
FORM: 3531 REV_4 2/27/06	UL: V - LI,ME-INS,CONST UL REC





Data Sheet

Date: 4/8/2020 TCA2P23AE231GAA009

Customer: _____

Attention: _____

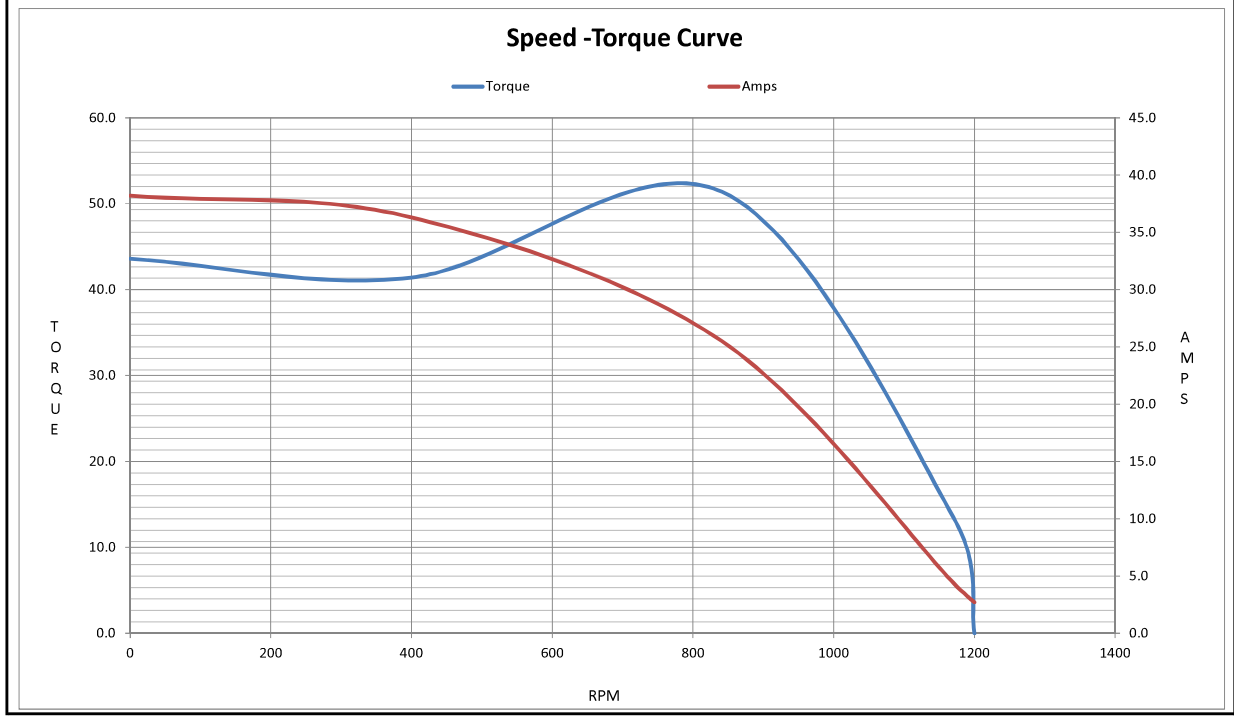
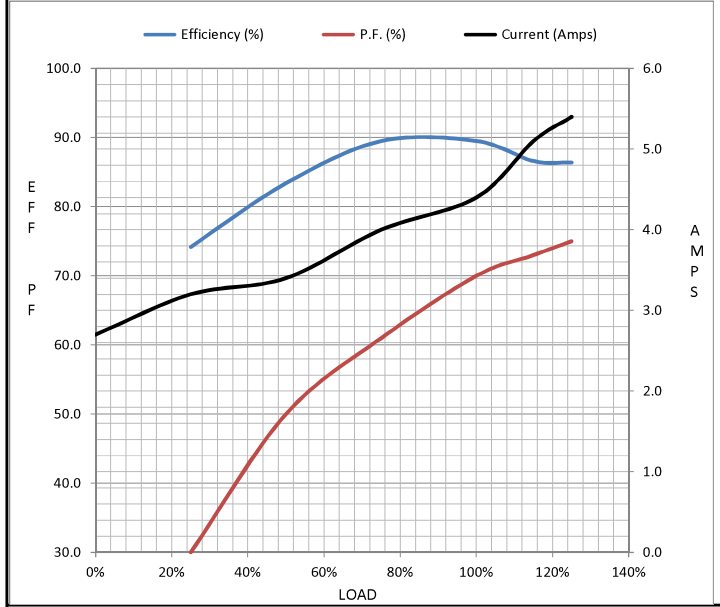
Submittal

Submitted by: _____ Data @ 460 V

Motor Load Data									
Load	0%	25%	50%	75%	100%	115%	125%	LR	
Current (Amps)	2.70	3.2	3.4	4.0	4.4	5.1	5.4	38.2	
Torque (ft-lb)	0.00	3.3	6.6	10.0	13.5	15.6	17.0	43.6	
RPM	1200	1193	1186	1179	1170	1,167	1164	0	
Efficiency (%)		74.2	83.4	89.5	89.5	86.6	86.4		
P.F. (%)	9.0	30.0	50.0	61.0	70.0	73.0	75.0	63.4	

Motor Speed Data					
	LR	Pull-Up	BD	Rated	Idle
Speed (RPM)	0	400	841	1170	1200
Current (Amps)	38.2	36.3	25.5	4.4	2.70
Torque (ft-lb)	43.6	41.4	51.4	13.5	0.00

Information Block	
HP	3.0
Sync. RPM	1200
Frame	112
Enclosure	TEFC
Construction	TCA 112M06
Voltage	230/460#200/400 V
Frequency	60 Hz
Design	N
LR Code letter	M
Service Factor	1.15
Temp Rise @ FL	80 °C
Duty	CONT
Ambient	40 °C
Elevation	3,300 feet
Rotor/Shaft wk ²	0.50 Lb-Ft ²
Ref Wdg	IE3L1126201 NONE
Sound Pressure @ 1M	62 dBA
VFD Rating	CONSTANT 2:1/VARIABLE 10:1
Outline Dwg	SS620873
Conn. Diag	8442000675
Additional Specifications:	
0	
0	
EQUIV CKT (OHMS / PHASE)	
R1	R2
X1	X2
Xm	
1.9860	1.7020
6.1460	7.4690
94.4540	



?

IEC

IEC

IEC



EC Declaration of Conformity

The undersigned representing
the manufacturer:

Regal Beloit America
100 East Randolph St.
Wausau, WI 54401

and the authorized representative
established within the Community:

Marathon Electric UK
6F Thistleton Road Ind. Estate
Market Overton
Oakham, Rutland LE15 7PP UK

are committed to providing customers with products that comply with applicable regulations and international protocols to which they are subject, including the requirements of the European Parliament Directive on the Harmonization of the laws relating to electrical equipment designed for use within certain voltage limits (2014/35/EU).

Regal Beloit America declares that the following product(s), to which this declaration relates, are in conformity with the relevant sections of the EC standards listed below.

This statement supersedes any statements previously issued pertaining to the product(s) listed below and is subject to change without notice.

Model No : TCA2P23AE231GAA009

(Model No. may contain prefix and/or suffix characters)

Catalog No : R823

Rework No : N/A

Directives :

Low Voltage Directive 2014/35/EU

Harmonized Standards Used :

EN 60034-1: 2010 (IEC 60034-1: 2010)

EN 60034-5: 2001/A1:2007 (IEC 60034-5: 2000/A1:2006)

Authorized Representative:



Michael A. Logsdon
Vice President, Technology

Authorized Representative in the Community:



Julian Clark
Marketing Engineer

Created on 09/01/2022

CE 22