

# PRODUCT INFORMATION PACKET

**marathon**<sup>®</sup>  
Motors

Model No: TCA1P52AE271GAA009  
Catalog No: R619  
1.5 KW-2HP,1800,TEFC,90L,3/60/230/460

Regal and Marathon are trademarks of Regal Rexnord Corporation or one of its affiliated companies.  
©2023 Regal Rexnord Corporation, All Rights Reserved. MC017097E

The logo for Regal Rexnord, featuring a stylized 'R' icon followed by the text 'RegalRexnord'.

## Nameplate Specifications

## Technical Specifications

Outline Drawing

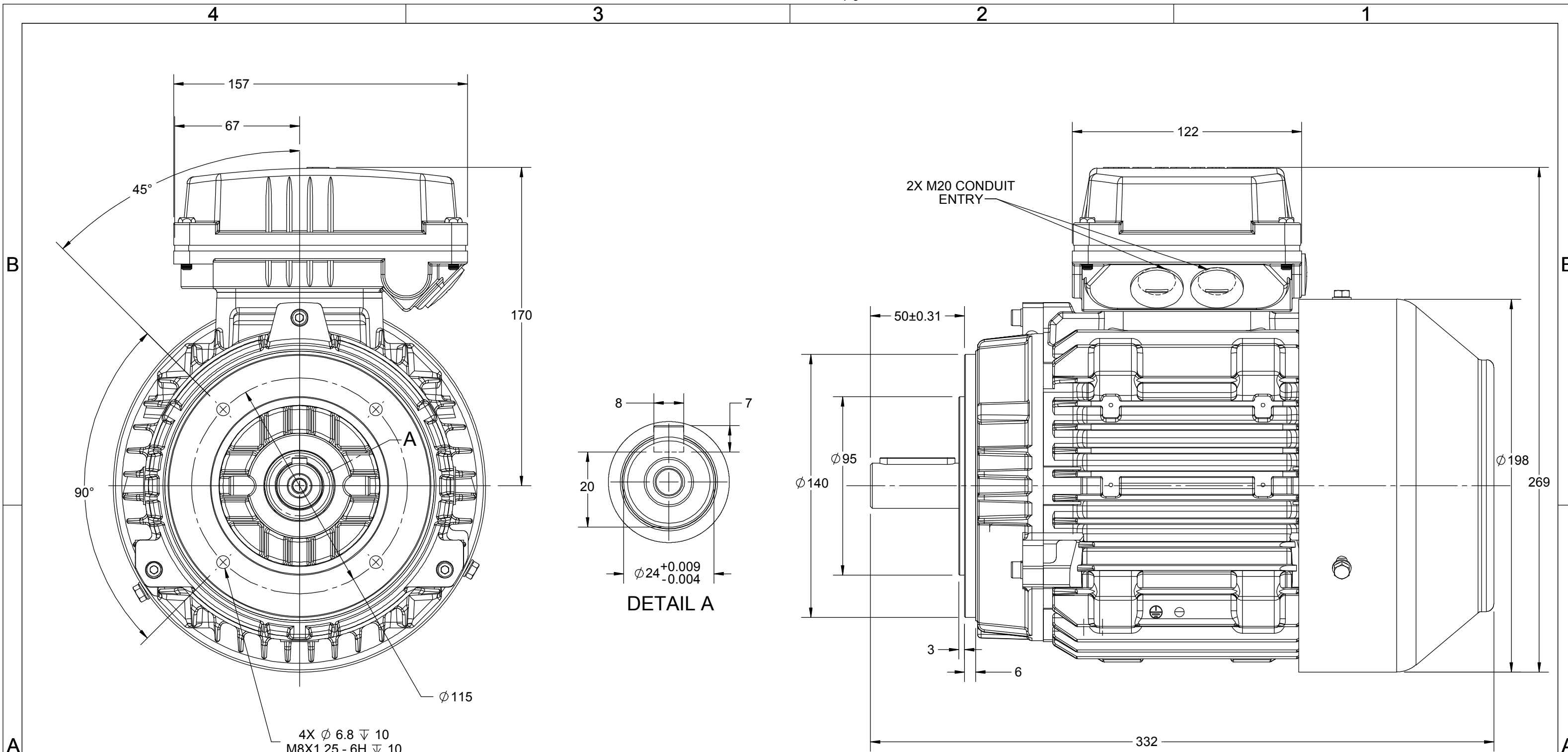
**SS620894**

Connection Drawing

**8442000729**

---

This is an uncontrolled document once printed or downloaded and is subject to change without notice. Date Created:01/17/2023



DRAWING REVISION A	REVISION BY MSH	DATE 08/02/2019
ECO ECO-0161495	APPROVED BY JAY	DATE 08/02/2019
ECO DESCRIPTION <b>NEW DRAWING RELEASE</b> COPYRIGHT REGAL BELOIT AMERICA, INC. ALL RIGHTS RESERVED. PROPRIETARY AND CONFIDENTIAL INFORMATION - THIS DOCUMENT IS THE PROPERTY OF REGAL BELOIT AMERICA, INC. ("OWNER") AND CONTAINS OWNER'S PROPRIETARY INFORMATION. ANY PERSON, CORPORATION OR OTHER FIRM RECEIVING IT IS DEEMED, BY RECEIVING IT, TO AGREE THAT IT, AND/OR ANY PART OF IT, SHALL NOT BE DISCLOSED TO ANY PERSON, CORPORATION OR OTHER ENTITY, DUPLICATED, AND/OR USED, EXCEPT AS EXPRESSLY APPROVED IN WRITING IN ADVANCE BY OWNER. THIS DOCUMENT SHALL BE RETURNED TO OWNER UPON REQUEST. IT MAY BE SUBJECT TO CERTAIN RESTRICTIONS UNDER APPLICABLE EXPORT CONTROL LAWS AND REGULATIONS.		



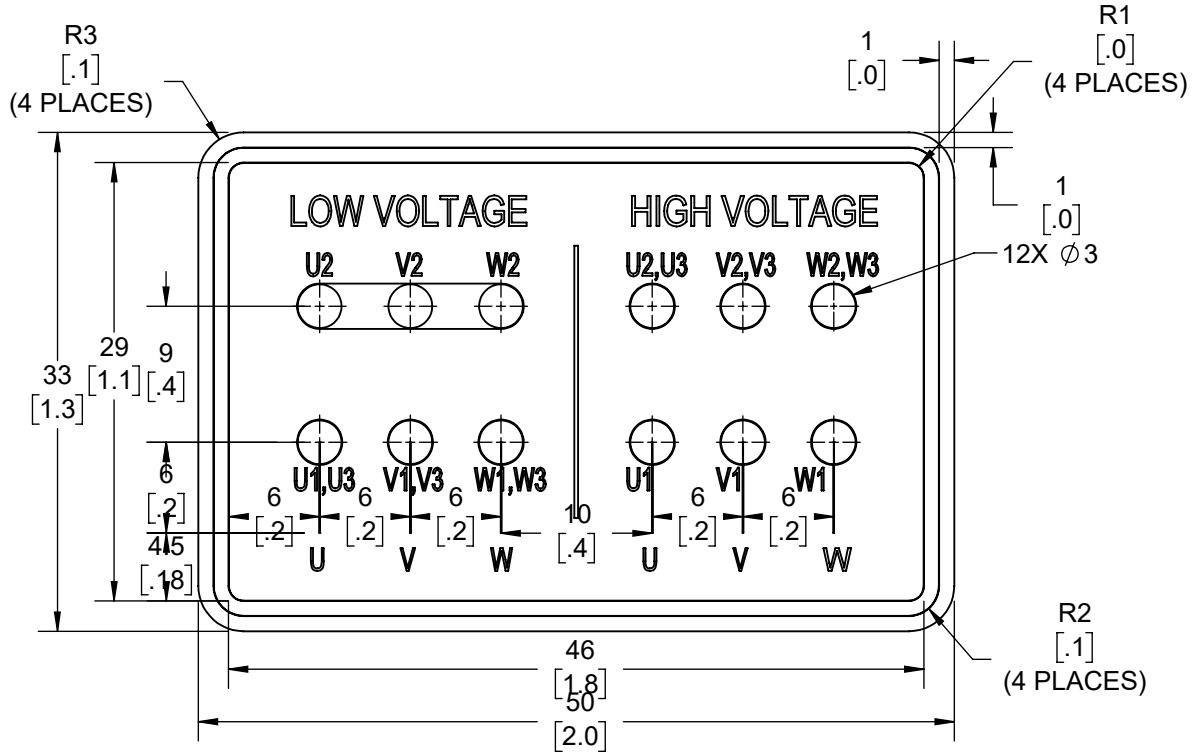
DRAWN BY MSH
DATE 08/02/2019
APPROVED BY JAY
DATE 08/02/2019
REFERENCE
THIRD ANGLE PROJECTION

<b>marathon™ Motors</b>	
<b>OUTLINE</b>	
IEC-90L-B14A, MOTOR TYPE: NA-TEFC-CAST IRON	
MATERIAL	PROCESS/FINISH
SIZE <b>B</b>	DRAWING NUMBER <b>SS620894</b>
SHEET 1 OF 1	

COPYRIGHT (PER REVISION DATE) REGAL BELOIT AMERICA, INC. ALL RIGHTS RESERVED. PROPRIETARY AND CONFIDENTIAL INFORMATION - THIS DOCUMENT IS THE PROPERTY OF REGAL BELOIT AMERICA, INC. ("OWNER") AND CONTAINS OWNER'S PROPRIETARY INFORMATION. ANY PERSON, CORPORATION OR OTHER FIRM RECEIVING IT IS DEEMED, BY RECEIVING IT, TO AGREE THAT IT, AND/OR ANY PART OF IT, SHALL NOT BE DISCLOSED TO ANY PERSON, CORPORATION OR OTHER ENTITY, DUPLICATED, AND/OR USED, EXCEPT AS EXPRESSLY APPROVED IN WRITING IN ADVANCE BY OWNER. THIS DOCUMENT SHALL BE RETURNED TO OWNER UPON REQUEST. IT MAY BE SUBJECT TO CERTAIN RESTRICTIONS UNDER APPLICABLE EXPORT CONTROL LAWS AND REGULATIONS.

DRAWING REVISION A	REVISION BY LK	REV DATE/@ DATE 30/6/2021
ECO CR-0003544	APPROVED BY JAY	DATE 30/6/2021
ECO DESCRIPTION NEW DRAWING		

GEOMETRIC TOLERANCE		
LINEAR DIM	>0~6	±0.1
	>6~30	±0.2
	>30~120	±0.3



NOTES:

1. PRESSURE-SENSITIVE ADHESIVE COATED PAPER ON THE BACK OF SELF-ADHESIVE.
2. AT THE END OF YELLOW, WORDS, SYMBOLS, LETTERS ARE BLACK, BORDER IS BLACK.
3. THE TOLERANCE OF THE LINEAR SIZE OF THE TOLERANCE WITHOUT THE TOLERANCE BY THE TABLE.
4. LEAD TERMINAL MARKINGS FONT SIZE : U1-U3, V1-V3 AND W1-W3 OF ARIAL WITH 3mm SIZE
5. OTHER LETTER FONT SIZE SHOULD BE 3.5mm.

PRIMARY DIMENSIONS ARE mm INCH DIMENSIONS IN [BRACKETS] ARE FOR REFERENCE ONLY	DRAWN BY LK	Regal Beloit America, Inc.		
	DATE 30/6/2021			
	APPROVED BY JAY	DESCRIPTION CONN DIAGRAM-NAMEPLATE		
	DATE 30/6/2021	9LEADS - STAR CONNECTION		
	REFERENCE	MATERIAL	PROCESS/FINISH	
THIRD ANGLE PROJECTION	SIZE A	REFER NOTES	DRAWING NUMBER 8442000729	SHEET 1 OF 1