

# PRODUCT INFORMATION PACKET

marathon®  
Motors

Model No: TCA18P1AE211GAA009

Catalog No: R339B

Cast Iron Motor, 25 & 20 HP, 3 Ph, 60 & 50 Hz, 230/460 & 200/400 V, 3600 & 3000 RPM, 160L Frame,  
TEFC



Regal and Marathon are trademarks of Regal Rexnord Corporation or one of its affiliated companies.

©2023 Regal Rexnord Corporation, All Rights Reserved. MC017097E

RegalRexnord

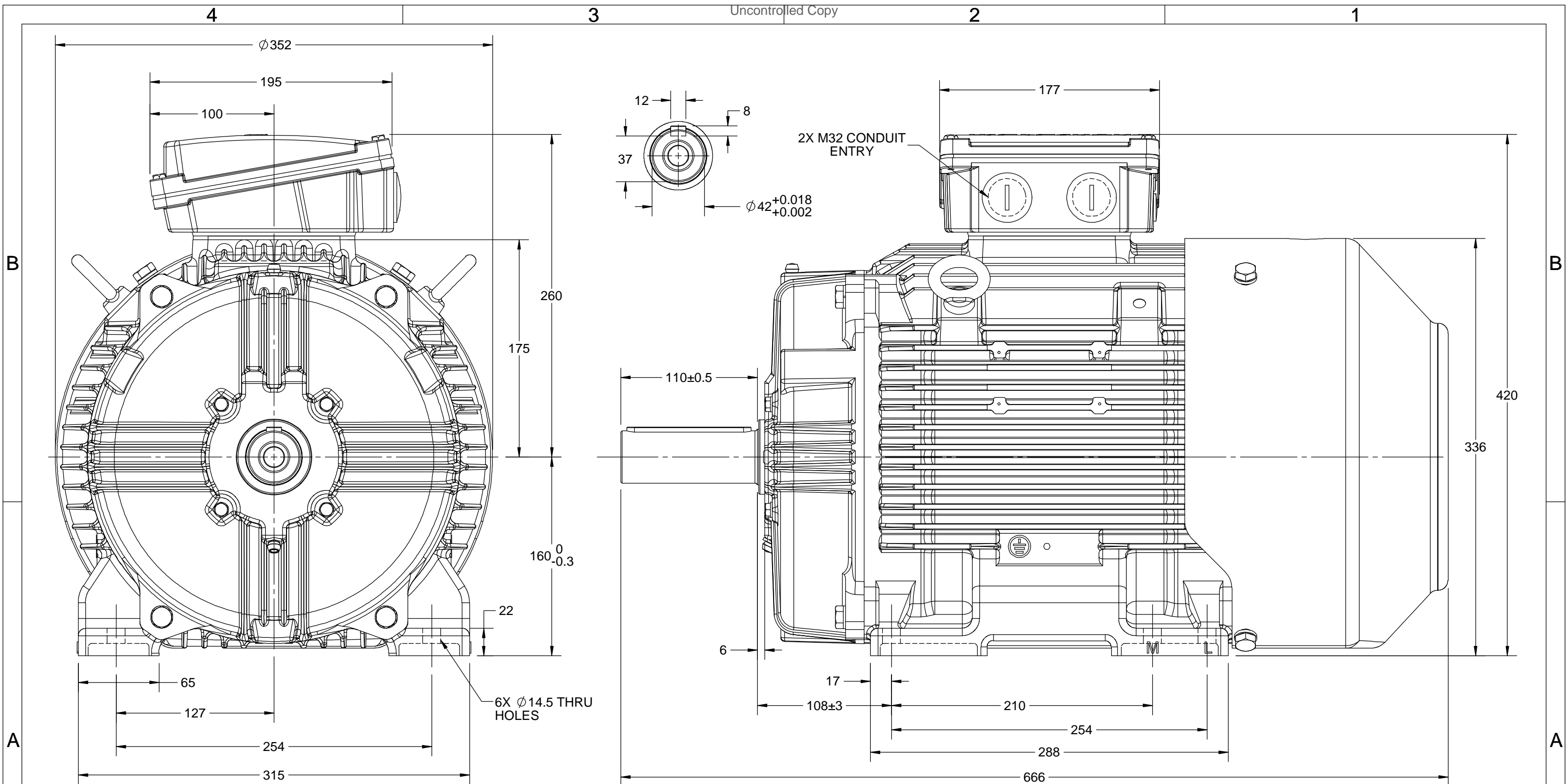
### Nameplate Specifications

|                        |                                  |                            |                                    |
|------------------------|----------------------------------|----------------------------|------------------------------------|
| Phase                  | <b>3</b>                         | Output HP                  | <b>25 &amp; 20 Hp</b>              |
| Output KW              | <b>18.5 &amp; 14.9 kW</b>        | Voltage                    | <b>230/460 &amp; 200/400 V</b>     |
| Speed                  | <b>3550 &amp; 2960 rpm</b>       | Service Factor             | <b>1.15 &amp; 1.15</b>             |
| Frame                  | <b>160L</b>                      | Enclosure                  | <b>Totally Enclosed Fan Cooled</b> |
| Thermal Protection     | <b>No Protection</b>             | Efficiency                 | <b>91.7 &amp; 91.9 %</b>           |
| Ambient Temperature    | <b>40 °C</b>                     | Frequency                  | <b>60 &amp; 50 Hz</b>              |
| Current                | <b>56/28.1 &amp; 53.5/26.7 A</b> | Power Factor               | <b>90</b>                          |
| Duty                   | <b>Continuous</b>                | Insulation Class           | <b>F</b>                           |
| Design Code            | <b>N (IEC)</b>                   | KVA Code                   | <b>H</b>                           |
| Drive End Bearing Size | <b>6309</b>                      | Opp Drive End Bearing Size | <b>6209</b>                        |
| UL                     | <b>Recognized</b>                | CSA                        | <b>N</b>                           |
| CE                     | <b>Y</b>                         | IP Code                    | <b>55</b>                          |
| Number of Speeds       | <b>1</b>                         | Efficiency Class           | <b>IE3</b>                         |

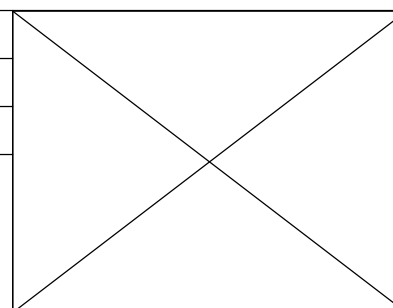
### Technical Specifications

|                       |                                     |                       |                         |
|-----------------------|-------------------------------------|-----------------------|-------------------------|
| Electrical Type       | <b>Squirrel Cage Inverter Rated</b> | Starting Method       | <b>Line Or Inverter</b> |
| Poles                 | <b>2</b>                            | Rotation              | <b>Reversible</b>       |
| Resistance Main       | <b>.5 Ohms</b>                      | Mounting              | <b>B3</b>               |
| Motor Orientation     | <b>Horizontal</b>                   | Drive End Bearing     | <b>Ball</b>             |
| Opp Drive End Bearing | <b>Ball</b>                         | Frame Material        | <b>Cast Iron</b>        |
| Shaft Type            | <b>IEC</b>                          | Overall Length        | <b>26.22 in</b>         |
| Frame Length          | <b>11.73 in</b>                     | Shaft Diameter        | <b>1.654 in</b>         |
| Shaft Extension       | <b>4.33 in</b>                      | Assembly/Box Mounting | <b>F3</b>               |
| Inverter Load         | <b>CONSTANT 2:1/VARIABLE 10:1</b>   |                       |                         |
| Outline Drawing       | <b>SS208564</b>                     | Connection Drawing    | <b>8442000715</b>       |





|   |                    |                    |
|---|--------------------|--------------------|
| DRAWING REVISION<br>A   | REVISION BY<br>LK  | DATE<br>05/12/2018 |
| ECO<br>ECO-0157830  | APPROVED BY<br>JAY | DATE<br>05/12/2018 |
| ECO DESCRIPTION<br><b>NEW DRAWING RELEASE</b><br>COPYRIGHT REGAL BELOIT AMERICA, INC. ALL RIGHTS RESERVED. PROPRIETARY AND CONFIDENTIAL INFORMATION - THIS DOCUMENT IS THE PROPERTY OF REGAL BELOIT AMERICA, INC. ("OWNER") AND CONTAINS OWNER'S PROPRIETARY INFORMATION. ANY PERSON, CORPORATION OR OTHER FIRM RECEIVING IT IS DEEMED, BY RECEIVING IT, TO AGREE THAT IT, AND/OR ANY PART OF IT, SHALL NOT BE DISCLOSED TO ANY PERSON, CORPORATION OR OTHER ENTITY, DUPLICATED, AND/OR USED, EXCEPT AS EXPRESSLY APPROVED IN WRITING IN ADVANCE BY OWNER. THIS DOCUMENT SHALL BE RETURNED TO OWNER UPON REQUEST. IT MAY BE SUBJECT TO CERTAIN RESTRICTIONS UNDER APPLICABLE EXPORT CONTROL LAWS AND REGULATIONS. |                    |                    |



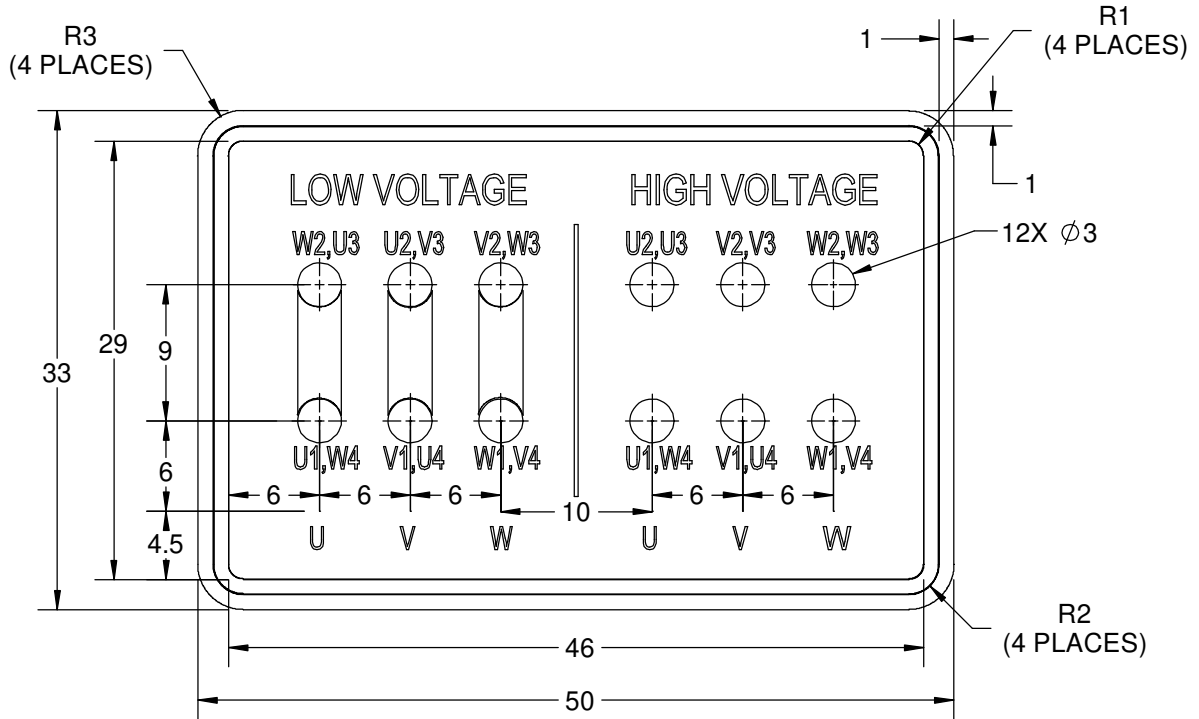
|                    |
|--------------------|
| DRAWN BY<br>LK     |
| DATE<br>05/12/2018 |
| APPROVED BY<br>JAY |
| DATE<br>05/12/2018 |
| REFERENCE          |

|  |                                   |
|--|-----------------------------------|
| <b>marathon™<br/>Motors</b>                  |                                   |
| <b>OUTLINE</b>                               |                                   |
| IEC-160L-B3 MTG. MOTOR TYPE : TEFC-CAST IRON |                                   |
| MATERIAL                                     | PROCESS/FINISH                    |
| SIZE<br><b>B</b>                             | DRAWING NUMBER<br><b>SS208564</b> |
| SHEET<br>1 OF 1                              |                                   |

COPYRIGHT REGAL BELOIT AMERICA, INC. ALL RIGHTS RESERVED.  
 PROPRIETARY AND CONFIDENTIAL INFORMATION - THIS DOCUMENT IS THE PROPERTY OF  
 REGAL BELOIT AMERICA, INC. ("OWNER") AND CONTAINS OWNER'S PROPRIETARY  
 INFORMATION. ANY PERSON, CORPORATION OR OTHER FIRM RECEIVING IT IS DEEMED,  
 BY RECEIVING IT, TO AGREE THAT IT, AND/OR ANY PART OF IT, SHALL NOT BE DISCLOSED  
 TO ANY PERSON, CORPORATION OR OTHER ENTITY, DUPLICATED, AND/OR USED, EXCEPT  
 AS EXPRESSLY APPROVED IN WRITING IN ADVANCE BY OWNER. THIS DOCUMENT SHALL  
 BE RETURNED TO OWNER UPON REQUEST. IT MAY BE SUBJECT TO CERTAIN  
 RESTRICTIONS UNDER APPLICABLE EXPORT CONTROL LAWS AND REGULATIONS.

|                                       |                               |                           |
|---------------------------------------|-------------------------------|---------------------------|
| DRAWING REVISION<br><b>A</b>          | REVISION BY<br><b>S.MUDDA</b> | DATE<br><b>16/11/2020</b> |
| ECO<br><b>ECO-0194685</b>             | APPROVED BY<br><b>SUMANTA</b> | DATE<br><b>16/11/2020</b> |
| ECO DESCRIPTION<br><b>NEW DRAWING</b> |                               |                           |

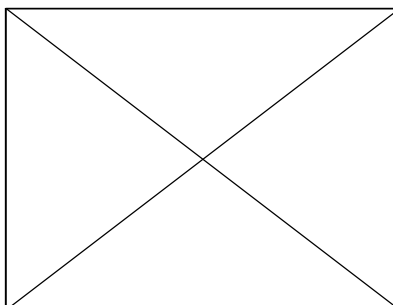
| GEOMETRIC TOLERANCE |         |      |
|---------------------|---------|------|
| LINEAR DIM          | >0~6    | ±0.1 |
|                     | >6~30   | ±0.2 |
|                     | >30~120 | ±0.3 |



**NOTES:**

1. PRESSURE-SENSITIVE ADHESIVE COATED PAPER ON THE BACK OF SELF-ADHESIVE.
2. AT THE END OF YELLOW, WORDS, SYMBOLS, LETTERS ARE BLACK, BORDER IS BLACK.
3. THE TOLERANCE OF THE LINEAR SIZE OF THE TOLERANCE WITHOUT THE TOLERANCE BY THE TABLE.
4. LEAD TERMINAL MARKINGS FONT SIZE : T1-T12 & U1-U4,V1-V4& W1-W4 OF ARIAL WITH 3mm SIZE
5. OTHER LETTER FONT SIZE SHOULD BE 3.5mm.

8WD.442.2017



|                               |  |                                     |
|-------------------------------|--|-------------------------------------|
| DRAWN BY<br><b>S.MUDDA</b>    | DESCRIPTION<br><b>CONN DIAGRAM-NAMEPLATE</b> |                                     |
|                               | MATERIAL                                     |                                     |
|                               | PROCESS/FINISH                               |                                     |
|                               | SIZE<br><b>A</b>                             | DRAWING NUMBER<br><b>8442000715</b> |
|                               | THIRD ANGLE PROJECTION                       | SHEET<br><b>1 OF 1</b>              |
| DATE<br><b>16/11/2020</b>     | REGAL™ Regal Beloit America, Inc.            |                                     |
| APPROVED BY<br><b>SUMANTA</b> |  |                                     |
| DATE<br><b>16/11/2020</b>     |  |                                     |
| REFERENCE                     |  |                                     |



P.O. BOX 8003  
WAUSAU, WI 54401-8003  
PH. 715-675-3311

DATA VOLTS: 460

**CERTIFICATION DATA SHEET**

CUSTOMER: \_\_\_\_\_  
ORDER #: \_\_\_\_\_  
CONN. DIAGRAM: 8442000677  
OUTLINE: SS208564  
WINDING: IE3L1602203 NONE 1  
SPEED: \_\_\_\_\_

CUSTOMER P.O. #: \_\_\_\_\_  
REFERENCE MODEL #: TCA18P1AE211GAA009  
CAT #: R339B  
CUSTOMER PART #: \_\_\_\_\_  
MOUNTING: F3

**TYPICAL MOTOR PERFORMANCE DATA**

| HP | KW   | SYNC RPM | FL RPM | FRAME | ENCLOSURE | TYPE        | KVA CODE | DESIGN |
|----|------|----------|--------|-------|-----------|-------------|----------|--------|
| 25 | 18.5 | 3600     | 3550   | 160L  | TEFC      | TCA 160LA02 | H        | N      |

| PH | HZ    | VOLTS           | AMPS              | START TYPE       | DUTY | INSL | S.F. | AMB (° C) | ELEV.(Ft.) |
|----|-------|-----------------|-------------------|------------------|------|------|------|-----------|------------|
| 3  | 60/50 | 230/460#200/400 | 56/28.1&53.5/26.7 | LINE OR INVERTER | CONT | F    | 1.15 | 40        | 3300       |

| F.L. EFF | 91.7 | 3/4 LD EFF | 91.7 | 1/2 LD EFF | 91.8 | GTD EFF | ELECT. TYPE       |
|----------|------|------------|------|------------|------|---------|-------------------|
| F.L. PF  | 90.0 | 3/4 LD PF  | 87.0 | 1/2 LD PF  | 80.0 | 90.5    | SQ CAGE INV RATED |

| F.L. TORQUE | LR AMPS @ 460 V | L.R. TORQUE     | B.D. TORQUE    | F.L. RISE (° C) |
|-------------|-----------------|-----------------|----------------|-----------------|
| 37.0 LB-FT  | 217             | 77.1 LB-FT 208% | 114 LB-FT 308% | 80              |

| SOUND PRESSURE @ 3 FT. | SOUND POWER | ROTOR WK <sup>2</sup>   | MAX. LOAD WK <sup>2</sup> | SAFE STALL TIME | STARTS/HOUR | APPROX. MOTOR WGT |
|------------------------|-------------|-------------------------|---------------------------|-----------------|-------------|-------------------|
| 75 dBA                 | 84 dBA      | 1.90 LB-FT <sup>2</sup> | 1.9 LB-FT <sup>2</sup>    | 7 SEC.          | 2           | 166 KG.           |

**\*\*\* SUPPLEMENTAL INFORMATION \*\*\***

| DE BRACKET TYPE | ODE BRACKET TYPE | MOUNT TYPE | MOTOR ORIENTATION | SEVERE DUTY | HAZARDOUS LOCATION | DRIP COVER | SCREENS | PAINT         |
|-----------------|------------------|------------|-------------------|-------------|--------------------|------------|---------|---------------|
| STANDARD        | STANDARD         | B3         | HORIZONTAL        | NO          | NONE               | NO         | NONE    | BLUE (ENAMEL) |

| BEARINGS |          | GREASE     | SHAFT TYPE   | SPECIAL DE | SPECIAL ODE | SHAFT MATERIAL          | FRAME MATERIAL |
|----------|----------|------------|--------------|------------|-------------|-------------------------|----------------|
| DE BALL  | ODE BALL | POLYREX EM | STANDARD IEC | NONE       | NONE        | 1045 HOT ROLLED (C-204) | CAST IRON      |
| 6309     | 6209     |            |              |            |             |                         |                |

| THERMOSTATS | PROTECTORS | WDG RTD's | BRG RTD's | THERMISTORS | CONTROL | SPACE HEATERS |
|-------------|------------|-----------|-----------|-------------|---------|---------------|
| NONE        | NOT        | NONE      | NONE      | NONE        | FALSE   | NA            |

| R1 (ohms/ph) | R2 (ohms/ph) | X1 (ohms/ph) | X2 (ohms/ph) | Xm (ohms/ph) | VIBRATION (in/sec) | FLOAT |
|--------------|--------------|--------------|--------------|--------------|--------------------|-------|
| 0.318        | 0.125        | 0.635        | 0.703        | 29.783       | 0.150              | ODE   |

|                                 |  |  |  |  |  |  |
|---------------------------------|--|--|--|--|--|--|
| *<br>N<br>O<br>T<br>E<br>S<br>* | INVERTER TORQUE: CONSTANT 2:1/VARIABLE 10:1<br>INV. HP SPEED RANGE: NONE |  |  |  |  |  |
|                                 | ENCODER: NONE<br>NONE<br>NONE  |  |  |  |  |  |
|                                 | BRAKE: NONE<br>NONE<br>NONE  |  |  |  |  |  |
|                                 | FT-LB: NA<br>VOLTAGE: NONE   |  |  |  |  |  |
|                                 | UL: V - LI,ME-INS,CONST UL REC   |  |  |  |  |  |

PREPARED BY: \_\_\_\_\_  
DATE: 10/29/2020

FORM: 3531 REV\_4 2/27/06



**Data Sheet**

TCA18P1AE211GAA009

Date: 5/28/2019  
Customer: \_\_\_\_\_  
Attention: \_\_\_\_\_

**Submittal**

Submitted by: Fareeda Dudekula

Data @ **460 V**

**Motor Load Data**

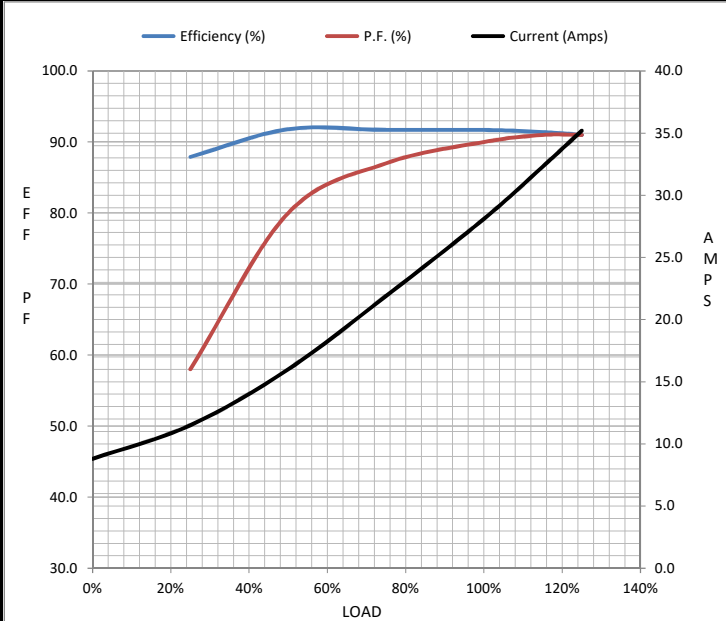
| Load           | 0%   | 25%  | 50%  | 75%  | 100% | 115%  | 125% | LR   |
|----------------|------|------|------|------|------|-------|------|------|
| Current (Amps) | 8.8  | 11.5 | 16.0 | 21.9 | 28.1 | 32.3  | 35.2 | 217  |
| Torque (ft-lb) | 0.00 | 9.2  | 18.4 | 27.6 | 37.0 | 42.6  | 46.4 | 77.1 |
| RPM            | 3600 | 3588 | 3577 | 3565 | 3550 | 3,544 | 3538 | 0    |
| Efficiency (%) |      | 87.9 | 91.8 | 91.7 | 91.7 | 91.4  | 91.0 |      |
| P.F. (%)       | 8.0  | 58.0 | 80.0 | 87.0 | 90.0 | 91.0  | 91.0 | 63.4 |

**Motor Speed Data**

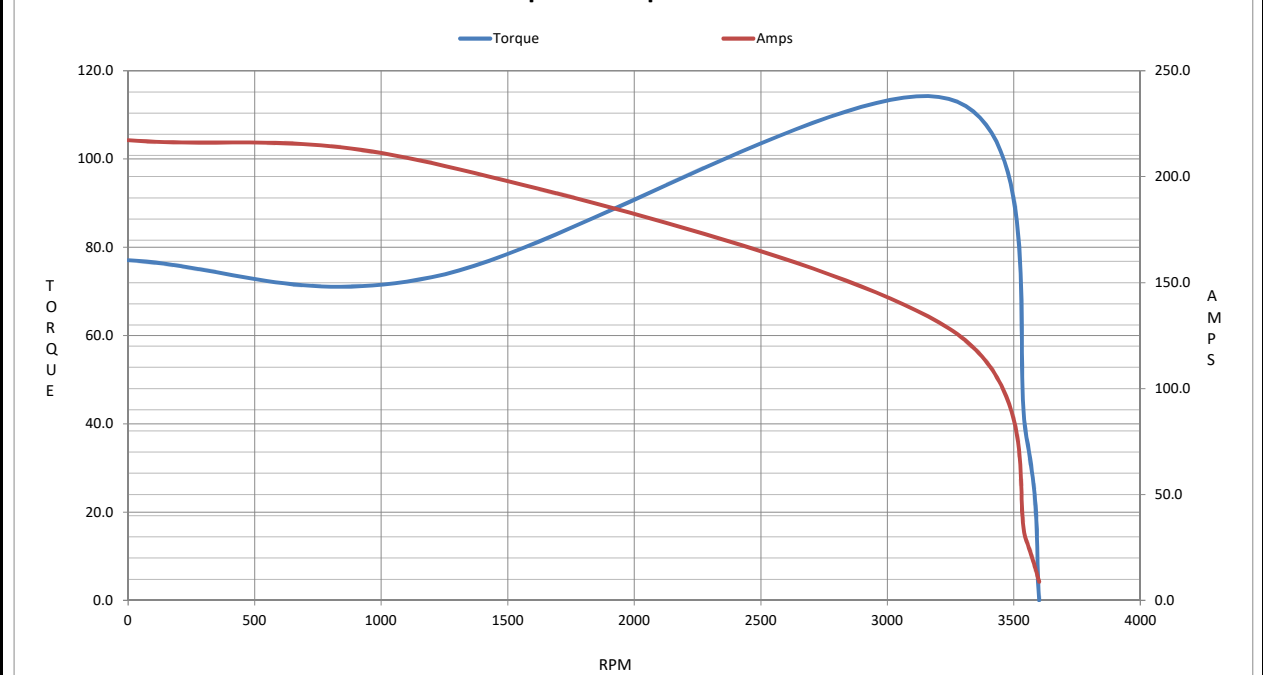
|                | LR   | Pull-Up | BD   | Rated | Idle |
|----------------|------|---------|------|-------|------|
| Speed (RPM)    | 0    | 1200    | 3243 | 3550  | 3600 |
| Current (Amps) | 217  | 206     | 128  | 28.1  | 8.8  |
| Torque (ft-lb) | 77.1 | 73.2    | 114  | 37.0  | 0.00 |

**Information Block**

|                             |                            |        |        |         |
|-----------------------------|----------------------------|--------|--------|---------|
| HP                          | 25.0                       |        |        |         |
| Sync. RPM                   | 3600                       |        |        |         |
| Frame                       | 160                        |        |        |         |
| Enclosure                   | TEFC                       |        |        |         |
| Construction                | TCA 160LA02                |        |        |         |
| Voltage                     | 230/460#200/400 V          |        |        |         |
| Frequency                   | 60 Hz                      |        |        |         |
| Design                      | N                          |        |        |         |
| LR Code letter              | H                          |        |        |         |
| Service Factor              | 1.15                       |        |        |         |
| Temp Rise @ FL              | 80 °C                      |        |        |         |
| Duty                        | CONT                       |        |        |         |
| Ambient                     | 40 °C                      |        |        |         |
| Elevation                   | 3,300 feet                 |        |        |         |
| Rotor/Shaft wk <sup>2</sup> | 1.90 Lb-Ft <sup>2</sup>    |        |        |         |
| Ref Wdg                     | IE3L1602203 NONE           |        |        |         |
| Sound Pressure @ 1M         | 75 dBA                     |        |        |         |
| VFD Rating                  | CONSTANT 2:1/VARIABLE 10:1 |        |        |         |
| Outline Dwg                 | SS208564                   |        |        |         |
| Conn. Diag                  | 8442000677                 |        |        |         |
| Additional Specifications:  |                            |        |        |         |
| 0                           |                            |        |        |         |
| 0                           |                            |        |        |         |
| EQUIV CKT (OHMS / PHASE)    |                            |        |        |         |
| R1                          | R2                         | X1     | X2     | Xm      |
| 0.3180                      | 0.1250                     | 0.6350 | 0.7030 | 29.7830 |



**Speed - Torque Curve**



## EC Declaration of Conformity

The undersigned representing  
the manufacturer:

Regal Beloit America  
100 East Randolph St.  
Wausau, WI 54401

and the authorized representative  
established within the Community:

Marathon Electric UK  
6F Thistleton Road Ind. Estate  
Market Overton  
Oakham, Rutland LE15 7PP UK

are committed to providing customers with products that comply with applicable regulations and international protocols to which they are subject, including the requirements of the European Parliament Directive on the Harmonization of the laws relating to electrical equipment designed for use within certain voltage limits (2014/35/EU).

Regal Beloit America declares that the following product(s), to which this declaration relates, are in conformity with the relevant sections of the EC standards listed below.

This statement supersedes any statements previously issued pertaining to the product(s) listed below and is subject to change without notice.

Model No : TCA18P1AE211GAA009

(Model No. may contain prefix and/or suffix characters)

Catalog No : R339B

Rework No : N/A

Directives :

Low Voltage Directive 2014/35/EU

Harmonized Standards Used :

EN 60034-1: 2010 (IEC 60034-1: 2010)

EN 60034-5: 2001/A1:2007 (IEC 60034-5: 2000/A1:2006)

Authorized Representative:



Michael A. Logsdon  
Vice President, Technology

Authorized Representative in the Community:



Julian Clark  
Marketing Engineer

Created on 09/01/2022

**CE 22**