

# PRODUCT INFORMATION PACKET

Model No: TCA0043AE271GAA009

Catalog No: R626

Cast Iron Motor, 5.50 & 4 HP, 3 Ph, 60 & 50 Hz, 230/460 & 200/400 V, 1200 & 1000 RPM, 132M Frame,  
TEFC



Regal and Marathon are trademarks of Regal Rexnord Corporation or one of its affiliated companies.

©2023 Regal Rexnord Corporation, All Rights Reserved. MC017097E

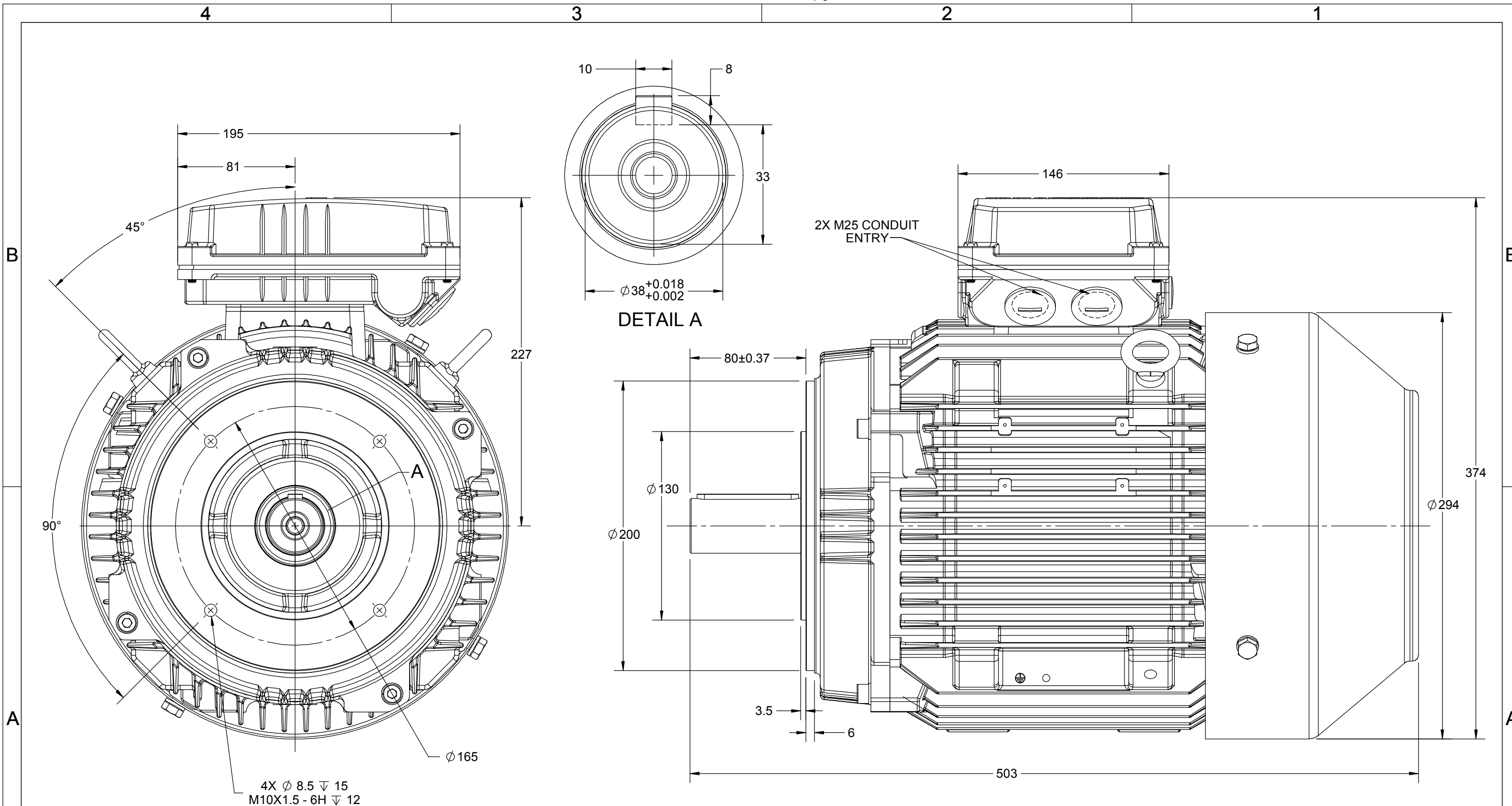
### Nameplate Specifications

|                        |                                  |                            |                                    |
|------------------------|----------------------------------|----------------------------|------------------------------------|
| Phase                  | <b>3</b>                         | Output HP                  | <b>5.50 &amp; 4 Hp</b>             |
| Output KW              | <b>4.0 &amp; 3.0 kW</b>          | Voltage                    | <b>230/460 &amp; 200/400 V</b>     |
| Speed                  | <b>1180 &amp; 985 rpm</b>        | Service Factor             | <b>1.15 &amp; 1.15</b>             |
| Frame                  | <b>132M</b>                      | Enclosure                  | <b>Totally Enclosed Fan Cooled</b> |
| Thermal Protection     | <b>No Protection</b>             | Efficiency                 | <b>91 &amp; 85.6 %</b>             |
| Ambient Temperature    | <b>40 °C</b>                     | Frequency                  | <b>60 &amp; 50 Hz</b>              |
| Current                | <b>16.2/8.1 &amp; 16.2/8.1 A</b> | Power Factor               | <b>68</b>                          |
| Duty                   | <b>Continuous</b>                | Insulation Class           | <b>F</b>                           |
| Design Code            | <b>N (IEC)</b>                   | KVA Code                   | <b>L</b>                           |
| Drive End Bearing Size | <b>6308</b>                      | Opp Drive End Bearing Size | <b>6208</b>                        |
| UL                     | <b>Recognized</b>                | CSA                        | <b>N</b>                           |
| CE                     | <b>Y</b>                         | IP Code                    | <b>55</b>                          |
| Number of Speeds       | <b>1</b>                         | Efficiency Class           | <b>IE3</b>                         |

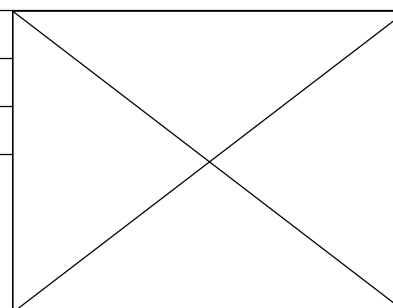
### Technical Specifications

|                       |                                     |                       |                         |
|-----------------------|-------------------------------------|-----------------------|-------------------------|
| Electrical Type       | <b>Squirrel Cage Inverter Rated</b> | Starting Method       | <b>Line Or Inverter</b> |
| Poles                 | <b>6</b>                            | Rotation              | <b>Reversible</b>       |
| Resistance Main       | <b>1.61 Ohms</b>                    | Mounting              | <b>Round</b>            |
| Motor Orientation     | <b>Horizontal</b>                   | Drive End Bearing     | <b>Ball</b>             |
| Opp Drive End Bearing | <b>Ball</b>                         | Frame Material        | <b>Cast Iron</b>        |
| Shaft Type            | <b>IEC</b>                          | Overall Length        | <b>19.80 in</b>         |
| Frame Length          | <b>9.45 in</b>                      | Shaft Diameter        | <b>1.496 in</b>         |
| Shaft Extension       | <b>3.15 in</b>                      | Assembly/Box Mounting | <b>F3</b>               |
| Inverter Load         | <b>CONSTANT 2:1/VARIABLE 10:1</b>   |                       |                         |
| Connection Drawing    | <b>8442000730</b>                   | Outline Drawing       | <b>SS620902</b>         |





|                                                                                                                                                                                                                                                                                                                                                                                                                                                                                                                                                                                                                                                                                                                   |                    |                    |
|-------------------------------------------------------------------------------------------------------------------------------------------------------------------------------------------------------------------------------------------------------------------------------------------------------------------------------------------------------------------------------------------------------------------------------------------------------------------------------------------------------------------------------------------------------------------------------------------------------------------------------------------------------------------------------------------------------------------|--------------------|--------------------|
| DRAWING REVISION<br>A                                                                                                                                                                                                                                                                                                                                                                                                                                                                                                                                                                                                                                                                                             | REVISION BY<br>MSH | DATE<br>11/02/2019 |
| ECO<br>ECO-0161495                                                                                                                                                                                                                                                                                                                                                                                                                                                                                                                                                                                                                                                                                                | APPROVED BY<br>JAY | DATE<br>11/02/2019 |
| ECO DESCRIPTION<br><b>NEW DRAWING RELEASE</b><br>COPYRIGHT REGAL BELOIT AMERICA, INC. ALL RIGHTS RESERVED. PROPRIETARY AND CONFIDENTIAL INFORMATION - THIS DOCUMENT IS THE PROPERTY OF REGAL BELOIT AMERICA, INC. ("OWNER") AND CONTAINS OWNER'S PROPRIETARY INFORMATION. ANY PERSON, CORPORATION OR OTHER FIRM RECEIVING IT IS DEEMED, BY RECEIVING IT, TO AGREE THAT IT, AND/OR ANY PART OF IT, SHALL NOT BE DISCLOSED TO ANY PERSON, CORPORATION OR OTHER ENTITY, DUPLICATED, AND/OR USED, EXCEPT AS EXPRESSLY APPROVED IN WRITING IN ADVANCE BY OWNER. THIS DOCUMENT SHALL BE RETURNED TO OWNER UPON REQUEST. IT MAY BE SUBJECT TO CERTAIN RESTRICTIONS UNDER APPLICABLE EXPORT CONTROL LAWS AND REGULATIONS. |                    |                    |

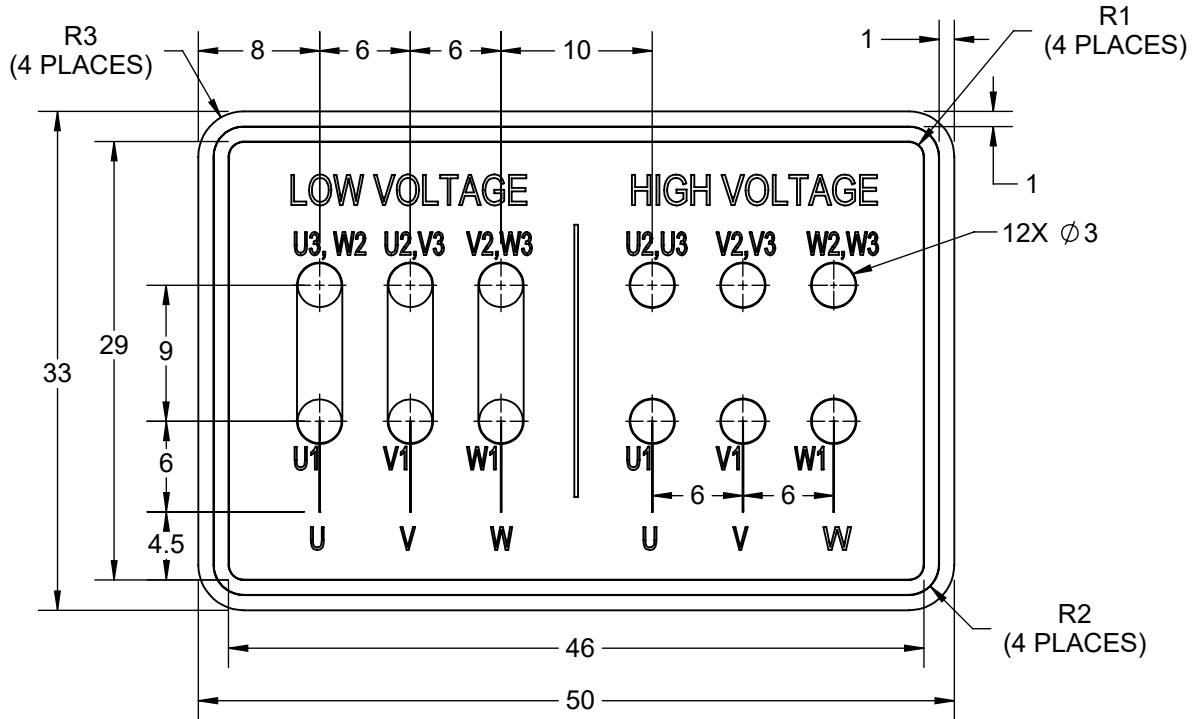


|                        |                                                                               |                            |
|------------------------|-------------------------------------------------------------------------------|----------------------------|
| DRAWN BY<br>MSH        | <b>marathon™</b><br>Motors                                                    |                            |
| DATE<br>11/02/2019     |                                                                               |                            |
| APPROVED BY<br>JAY     | DESCRIPTION<br><b>OUTLINE</b><br>IEC-132M-B14A, MOTOR TYPE: NA-TEFC-CAST IRON |                            |
| DATE<br>11/02/2019     | MATERIAL                                                                      | PROCESS/FINISH             |
| REFERENCE              | SIZE<br>B                                                                     | DRAWING NUMBER<br>SS620902 |
| THIRD ANGLE PROJECTION |                                                                               | SHEET<br>1 OF 1            |

COPYRIGHT (PER REVISION DATE) REGAL BELOIT AMERICA, INC. ALL RIGHTS RESERVED. PROPRIETARY AND CONFIDENTIAL INFORMATION - THIS DOCUMENT IS THE PROPERTY OF REGAL BELOIT AMERICA, INC. ("OWNER") AND CONTAINS OWNER'S PROPRIETARY INFORMATION. ANY PERSON, CORPORATION OR OTHER FIRM RECEIVING IT IS DEEMED, BY RECEIVING IT, TO AGREE THAT IT, AND/OR ANY PART OF IT, SHALL NOT BE DISCLOSED TO ANY PERSON, CORPORATION OR OTHER ENTITY, DUPLICATED, AND/OR USED, EXCEPT AS EXPRESSLY APPROVED IN WRITING IN ADVANCE BY OWNER. THIS DOCUMENT SHALL BE RETURNED TO OWNER UPON REQUEST. IT MAY BE SUBJECT TO CERTAIN RESTRICTIONS UNDER APPLICABLE EXPORT CONTROL LAWS AND REGULATIONS.

|                                |                    |                              |
|--------------------------------|--------------------|------------------------------|
| DRAWING REVISION<br>A          | REVISION BY<br>LK  | REV DATE/© DATE<br>14/7/2021 |
| ECO<br>CR-0003544              | APPROVED BY<br>JAY | DATE<br>14/7/2021            |
| ECO DESCRIPTION<br>NEW DRAWING |                    |                              |

|                     |         |      |
|---------------------|---------|------|
| GEOMETRIC TOLERANCE |         |      |
| LINEAR DIM          | >0~6    | ±0.1 |
|                     | >6~30   | ±0.2 |
|                     | >30~120 | ±0.3 |



**NOTES:**

1. PRESSURE-SENSITIVE ADHESIVE COATED PAPER ON THE BACK OF SELF-ADHESIVE.
2. AT THE END OF YELLOW, WORDS, SYMBOLS, LETTERS ARE BLACK, BORDER IS BLACK.
3. THE TOLERANCE OF THE LINEAR SIZE OF THE TOLERANCE WITHOUT THE TOLERANCE BY THE TABLE.
4. LEAD TERMINAL MARKINGS FONT SIZE : U1-U3, V1-V3 AND W1-W3 OF ARIAL WITH 3mm SIZE
5. OTHER LETTER FONT SIZE SHOULD BE 3.5mm.

|                                                                                      |                    |                                                                           |                 |
|--------------------------------------------------------------------------------------|--------------------|---------------------------------------------------------------------------|-----------------|
| PRIMARY DIMENSIONS ARE mm<br>INCH DIMENSIONS IN [BRACKETS]<br>ARE FOR REFERENCE ONLY | DRAWN BY<br>LK     | Regal Beloit America, Inc.                                                |                 |
|                                                                                      | DATE<br>14/7/2021  |                                                                           |                 |
|                                                                                      | APPROVED BY<br>JAY | DESCRIPTION<br><b>CONN DIAGRAM-NAMEPLATE</b><br>9LEADS - DELTA CONNECTION |                 |
|                                                                                      | DATE<br>14/7/2021  | MATERIAL                                                                  | PROCESS/FINISH  |
|                                                                                      | REFERENCE          | REFER NOTES                                                               |                 |
| THIRD ANGLE PROJECTION                                                               | SIZE<br>A          | DRAWING NUMBER<br><b>8442000730</b>                                       | SHEET<br>1 OF 1 |



P.O. BOX 8003  
WAUSAU, WI 54401-8003  
PH. 715-675-3311

DATA VOLTS: 460

**CERTIFICATION DATA SHEET**

CUSTOMER: \_\_\_\_\_  
ORDER #: \_\_\_\_\_  
CONN. DIAGRAM: 8442000676  
OUTLINE: SS620902  
WINDING: IE3L1326202 NONE 1  
SPEED: \_\_\_\_\_

CUSTOMER P.O. #: \_\_\_\_\_  
REFERENCE MODEL #: TCA0043AE271GAA009  
CAT #: R626  
CUSTOMER PART #: \_\_\_\_\_  
MOUNTING: F3

**TYPICAL MOTOR PERFORMANCE DATA**

| HP  | KW  | SYNC RPM | FL RPM | FRAME | ENCLOSURE | TYPE        | KVA CODE | DESIGN |
|-----|-----|----------|--------|-------|-----------|-------------|----------|--------|
| 5.5 | 4.1 | 1200     | 1180   | 132M  | TEFC      | TCA 132MA06 | L        | N      |

| PH | HZ    | VOLTS           | AMPS              | START TYPE       | DUTY | INSL | S.F. | AMB (° C) | ELEV.(Ft.) |
|----|-------|-----------------|-------------------|------------------|------|------|------|-----------|------------|
| 3  | 60/50 | 230/460#200/400 | 16.2/8.1&16.2/8.1 | LINE OR INVERTER | CONT | F    | 1.15 | 40        | 3300       |

| F.L. EFF | 91.0 | 3/4 LD EFF | 91.0 | 1/2 LD EFF | 86.6 | GTD EFF | ELECT. TYPE       |
|----------|------|------------|------|------------|------|---------|-------------------|
| F.L. PF  | 68.0 | 3/4 LD PF  | 59.0 | 1/2 LD PF  | 46.0 | 89.7    | SQ CAGE INV RATED |

| F.L. TORQUE | LR AMPS @ 460 V | L.R. TORQUE     | B.D. TORQUE     | F.L. RISE (° C) |
|-------------|-----------------|-----------------|-----------------|-----------------|
| 24.5 LB-FT  | 62.8            | 70.5 LB-FT 288% | 85.6 LB-FT 349% | 80              |

| SOUND PRESSURE @ 3 FT. | SOUND POWER | ROTOR WK <sup>2</sup>   | MAX. LOAD WK <sup>2</sup> | SAFE STALL TIME | STARTS/HOUR | APROX. MOTOR WGT |
|------------------------|-------------|-------------------------|---------------------------|-----------------|-------------|------------------|
| 65 dBA                 | 74 dBA      | 1.42 LB-FT <sup>2</sup> | 1.42 LB-FT <sup>2</sup>   | 15 SEC.         | 2           | 87 KG.           |

**\*\*\* SUPPLEMENTAL INFORMATION \*\*\***

| DE BRACKET TYPE | ODE BRACKET TYPE | MOUNT TYPE | MOTOR ORIENTATION | SEVERE DUTY | HAZARDOUS LOCATION | DRIP COVER | SCREENS | PAIN          |
|-----------------|------------------|------------|-------------------|-------------|--------------------|------------|---------|---------------|
| FT-FLANGE-165   | STANDARD         | ROUND      | HORIZONTAL        | NO          | NONE               | NO         | NONE    | BLUE (ENAMEL) |

| BEARINGS |          | GREASE     | SHAFT TYPE   | SPECIAL DE | SPECIAL ODE | SHAFT MATERIAL          | FRAME MATERIAL |
|----------|----------|------------|--------------|------------|-------------|-------------------------|----------------|
| DE BALL  | ODE BALL | POLYREX EM | STANDARD IEC | NONE       | NONE        | 1045 HOT ROLLED (C-204) | CAST IRON      |
| 6308     | 6208     |            |              |            |             |                         |                |

| THERMOSTATS | PROTECTORS | WDG RTD's | BRG RTD's | THERMISTORS | CONTROL | SPACE HEATERS |
|-------------|------------|-----------|-----------|-------------|---------|---------------|
| NONE        | NOT        | NONE      | NONE      | NONE        | FALSE   | NA            |

| R1 (ohms/ph) | R2 (ohms/ph) | X1 (ohms/ph) | X2 (ohms/ph) | Xm (ohms/ph) | VIBRATION (in/sec) | FLOAT |
|--------------|--------------|--------------|--------------|--------------|--------------------|-------|
| 0.980        | 0.619        | 3.301        | 2.991        | 48.529       | 0.150              | ODE   |

|                                 |                                                                          |  |  |  |  |  |
|---------------------------------|--------------------------------------------------------------------------|--|--|--|--|--|
| *<br>N<br>O<br>T<br>E<br>S<br>* | INVERTER TORQUE: CONSTANT 2:1/VARIABLE 10:1<br>INV. HP SPEED RANGE: NONE |  |  |  |  |  |
|                                 | ENCODER: NONE                                                            |  |  |  |  |  |
|                                 | NONE                                                                     |  |  |  |  |  |
|                                 | NONE PPR                                                                 |  |  |  |  |  |
|                                 | BRAKE: NONE                                                              |  |  |  |  |  |

|                    |                                |
|--------------------|--------------------------------|
| PREPARED BY: _____ | BRAKE: NONE                    |
| DATE: 11/16/2020   | NONE NONE                      |
|                    | FT-LB: NA                      |
|                    | VOLTAGE: NONE                  |
|                    | HZ: _____                      |
|                    | UL: V - LI,ME-INS,CONST UL REC |

FORM: 3531 REV\_4 2/27/06



Data Sheet

TCA0043AE271GAA009

Date: 5/30/2019  
Customer: \_\_\_\_\_  
Attention: \_\_\_\_\_

Submittal

Submitted by: Fareeda Dudekula

Data @ 460 V

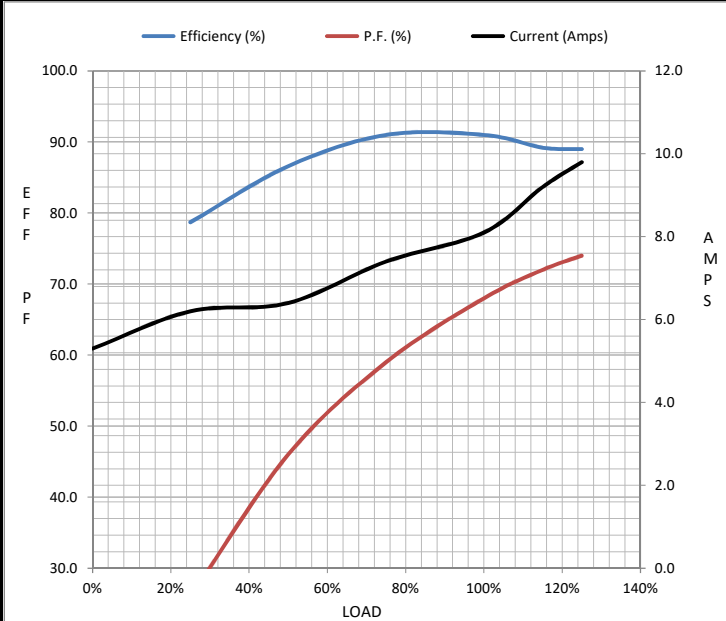
Motor Load Data

| Load           | 0%   | 25%  | 50%  | 75%  | 100% | 115%  | 125% | LR   |
|----------------|------|------|------|------|------|-------|------|------|
| Current (Amps) | 5.3  | 6.2  | 6.4  | 7.4  | 8.1  | 9.2   | 9.8  | 62.8 |
| Torque (ft-lb) | 0.00 | 6.0  | 12.2 | 18.3 | 24.5 | 28.2  | 30.8 | 70.5 |
| RPM            | 1200 | 1195 | 1191 | 1186 | 1180 | 1,178 | 1176 | 0    |
| Efficiency (%) |      | 78.7 | 86.6 | 91.0 | 91.0 | 89.2  | 89.0 |      |
| P.F. (%)       | 6.0  | 26.0 | 46.0 | 59.0 | 68.0 | 72.0  | 74.0 | 63.4 |

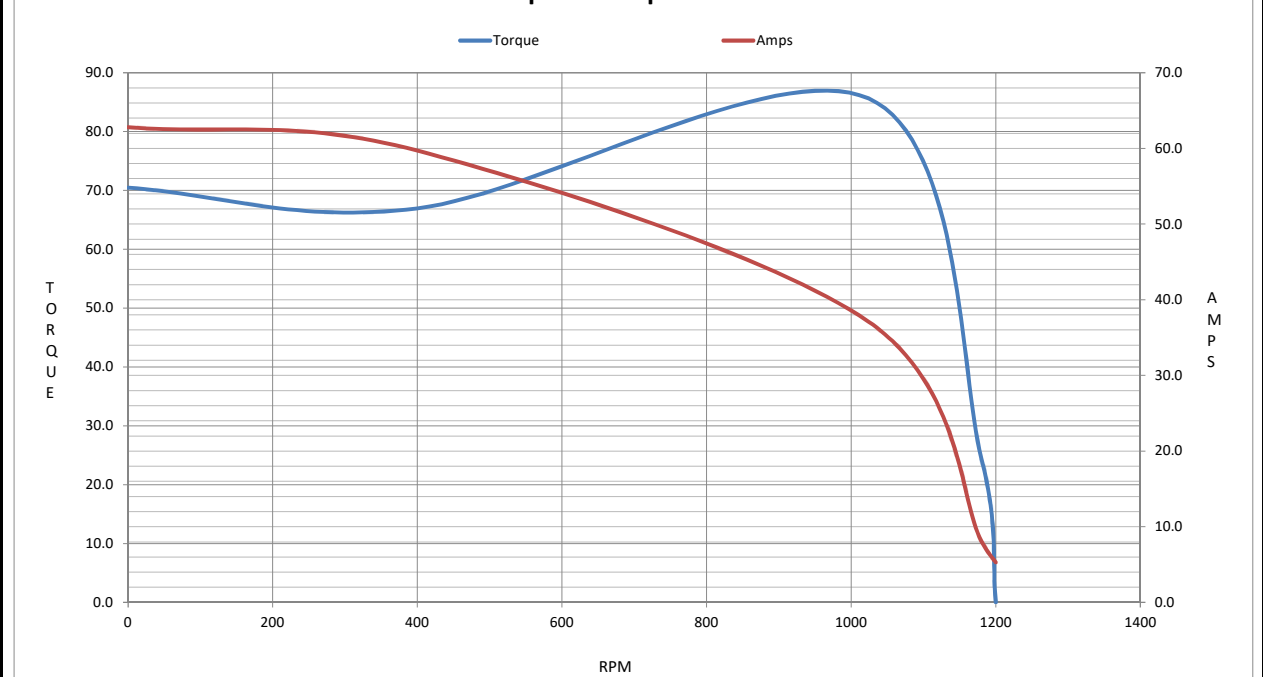
Motor Speed Data

|                | LR   | Pull-Up | BD   | Rated | Idle |
|----------------|------|---------|------|-------|------|
| Speed (RPM)    | 0    | 400     | 1024 | 1180  | 1200 |
| Current (Amps) | 62.8 | 59.7    | 37.1 | 8.1   | 5.3  |
| Torque (ft-lb) | 70.5 | 67.0    | 85.6 | 24.5  | 0.00 |

| Information Block           |                            |        |        |         |
|-----------------------------|----------------------------|--------|--------|---------|
| HP                          | 5.5                        |        |        |         |
| Sync. RPM                   | 1200                       |        |        |         |
| Frame                       | 132                        |        |        |         |
| Enclosure                   | TEFC                       |        |        |         |
| Construction                | TCA 132MA06                |        |        |         |
| Voltage                     | 230/460#200/400 V          |        |        |         |
| Frequency                   | 60 Hz                      |        |        |         |
| Design                      | N                          |        |        |         |
| LR Code letter              | L                          |        |        |         |
| Service Factor              | 1.15                       |        |        |         |
| Temp Rise @ FL              | 80 °C                      |        |        |         |
| Duty                        | CONT                       |        |        |         |
| Ambient                     | 40 °C                      |        |        |         |
| Elevation                   | 3,300 feet                 |        |        |         |
| Rotor/Shaft wk <sup>2</sup> | 1.42 Lb-Ft <sup>2</sup>    |        |        |         |
| Ref Wdg                     | IE3L1326202 NONE           |        |        |         |
| Sound Pressure @ 1M         | 65 dBA                     |        |        |         |
| VFD Rating                  | CONSTANT 2:1/VARIABLE 10:1 |        |        |         |
| Outline Dwg                 | SS620902                   |        |        |         |
| Conn. Diag                  | 8442000676                 |        |        |         |
| Additional Specifications:  |                            |        |        |         |
| 0                           |                            |        |        |         |
| 0                           |                            |        |        |         |
| EQUIV CKT (OHMS / PHASE)    |                            |        |        |         |
| R1                          | R2                         | X1     | X2     | Xm      |
| 0.9800                      | 0.6190                     | 3.3010 | 2.9910 | 48.5290 |



Speed - Torque Curve



## EC Declaration of Conformity

The undersigned representing  
the manufacturer:

Regal Beloit America  
100 East Randolph St.  
Wausau, WI 54401

and the authorized representative  
established within the Community:

Marathon Electric UK  
6F Thistleton Road Ind. Estate  
Market Overton  
Oakham, Rutland LE15 7PP UK

are committed to providing customers with products that comply with applicable regulations and international protocols to which they are subject, including the requirements of the European Parliament Directive on the Harmonization of the laws relating to electrical equipment designed for use within certain voltage limits (2014/35/EU).

Regal Beloit America declares that the following product(s), to which this declaration relates, are in conformity with the relevant sections of the EC standards listed below.

This statement supersedes any statements previously issued pertaining to the product(s) listed below and is subject to change without notice.

Model No : TCA0043AE271GAA009

(Model No. may contain prefix and/or suffix characters)

Catalog No : R626

Rework No : N/A

Directives :

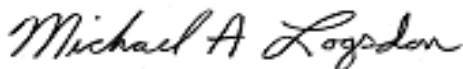
Low Voltage Directive 2014/35/EU

Harmonized Standards Used :

EN 60034-1: 2010 (IEC 60034-1: 2010)

EN 60034-5: 2001/A1:2007 (IEC 60034-5: 2000/A1:2006)

Authorized Representative:



Michael A. Logsdon  
Vice President, Technology

Authorized Representative in the Community:



Julian Clark  
Marketing Engineer

Created on 09/01/2022

**CE 22**