

PRODUCT INFORMATION PACKET

Model No: TCA0033AE251GAA009

Catalog No: R953

TerraMAX® Cast Iron Motor, 4 & 3 HP, 3 Ph, 60 & 50 Hz, 230/460 & 200/400 V, 1200 & 1000 RPM,
132S Frame, TEFC



Regal and Marathon are trademarks of Regal Rexnord Corporation or one of its affiliated companies.

©2023 Regal Rexnord Corporation, All Rights Reserved. MC017097E

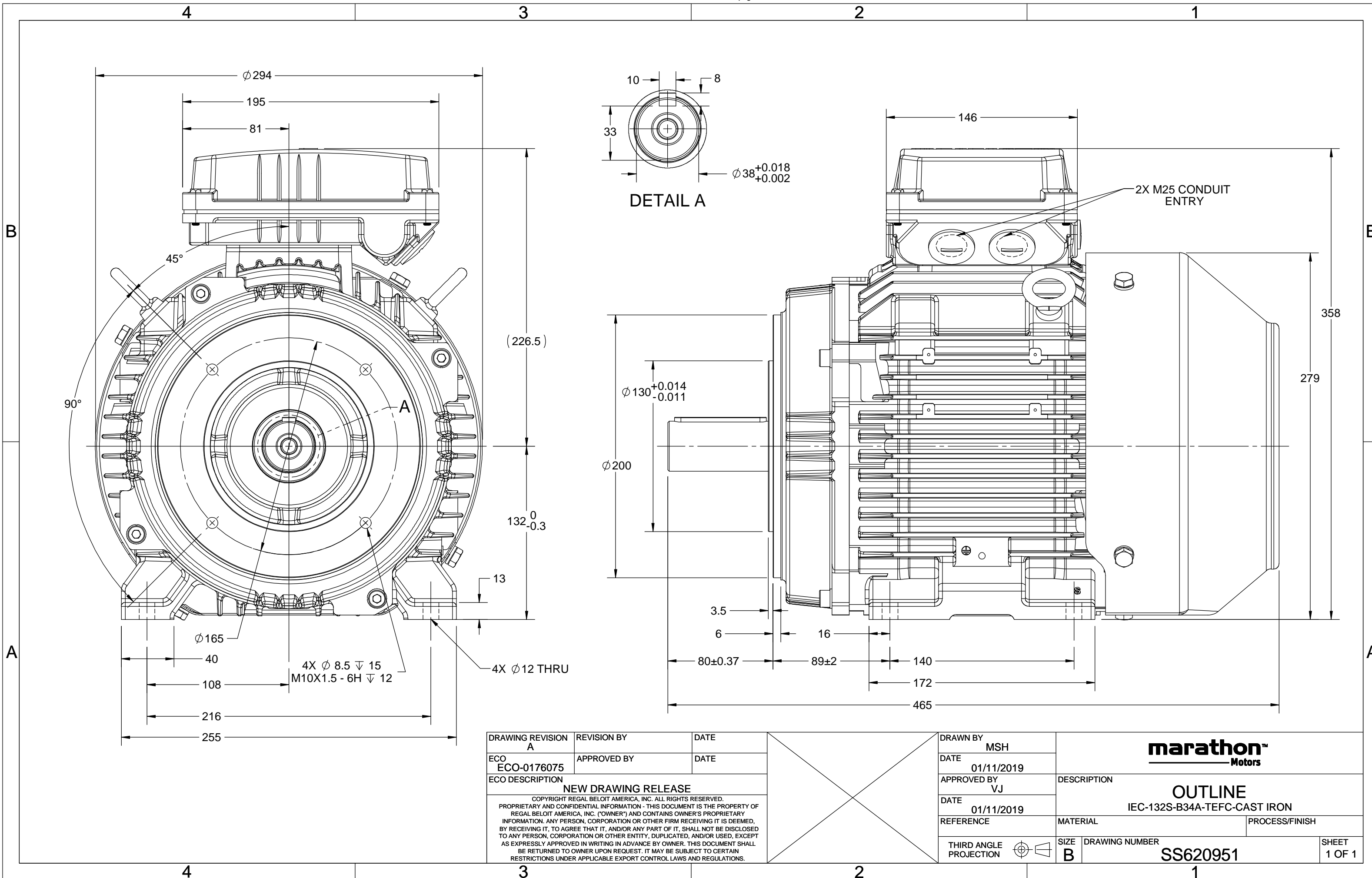
Nameplate Specifications

Phase	3	Output HP	4 & 3 Hp
Output KW	3.0 & 2.2 kW	Voltage	230/460 & 200/400 V
Speed	1180 & 980 rpm	Service Factor	1.15 & 1.15
Frame	132S	Enclosure	Totally Enclosed Fan Cooled
Thermal Protection	No Protection	Efficiency	89.5 & 84.3 %
Ambient Temperature	40 °C	Frequency	60 & 50 Hz
Current	11.6/5.8 & 10.4/5.2 A	Power Factor	73
Duty	Continuous	Insulation Class	F
Design Code	N (IEC)	KVA Code	J
Drive End Bearing Size	6308	Opp Drive End Bearing Size	6208
UL	Recognized	CSA	N
CE	Y	IP Code	55
Number of Speeds	1	Efficiency Class	IE3

Technical Specifications

Electrical Type	Squirrel Cage Inverter Rated	Starting Method	Line Or Inverter
Poles	6	Rotation	Reversible
Resistance Main	2.75 Ohms	Mounting	B3
Motor Orientation	Horizontal	Drive End Bearing	Ball
Opp Drive End Bearing	Ball	Frame Material	Cast Iron
Shaft Type	IEC	Shaft Diameter	38.000 in
Assembly/Box Mounting	F3	Inverter Load	CONSTANT 2:1/VARIABLE 10:1
Outline Drawing	SS620951	Connection Drawing	8442000729

This is an uncontrolled document once printed or downloaded and is subject to change without notice. Date Created:06/22/2023



DRAWING REVISION A	REVISION BY	DATE
ECO ECO-0176075	APPROVED BY	DATE
ECO DESCRIPTION NEW DRAWING RELEASE		
<small>COPYRIGHT REGAL BELOIT AMERICA, INC. ALL RIGHTS RESERVED. PROPRIETARY AND CONFIDENTIAL INFORMATION - THIS DOCUMENT IS THE PROPERTY OF REGAL BELOIT AMERICA, INC. ("OWNER") AND CONTAINS OWNER'S PROPRIETARY INFORMATION. ANY PERSON, CORPORATION OR OTHER FIRM RECEIVING IT IS DEEMED, BY RECEIVING IT, TO AGREE THAT IT, AND/OR ANY PART OF IT, SHALL NOT BE DISCLOSED TO ANY PERSON, CORPORATION OR OTHER ENTITY, DUPLICATED, AND/OR USED, EXCEPT AS EXPRESSLY APPROVED IN WRITING IN ADVANCE BY OWNER. THIS DOCUMENT SHALL BE RETURNED TO OWNER UPON REQUEST. IT MAY BE SUBJECT TO CERTAIN RESTRICTIONS UNDER APPLICABLE EXPORT CONTROL LAWS AND REGULATIONS.</small>		

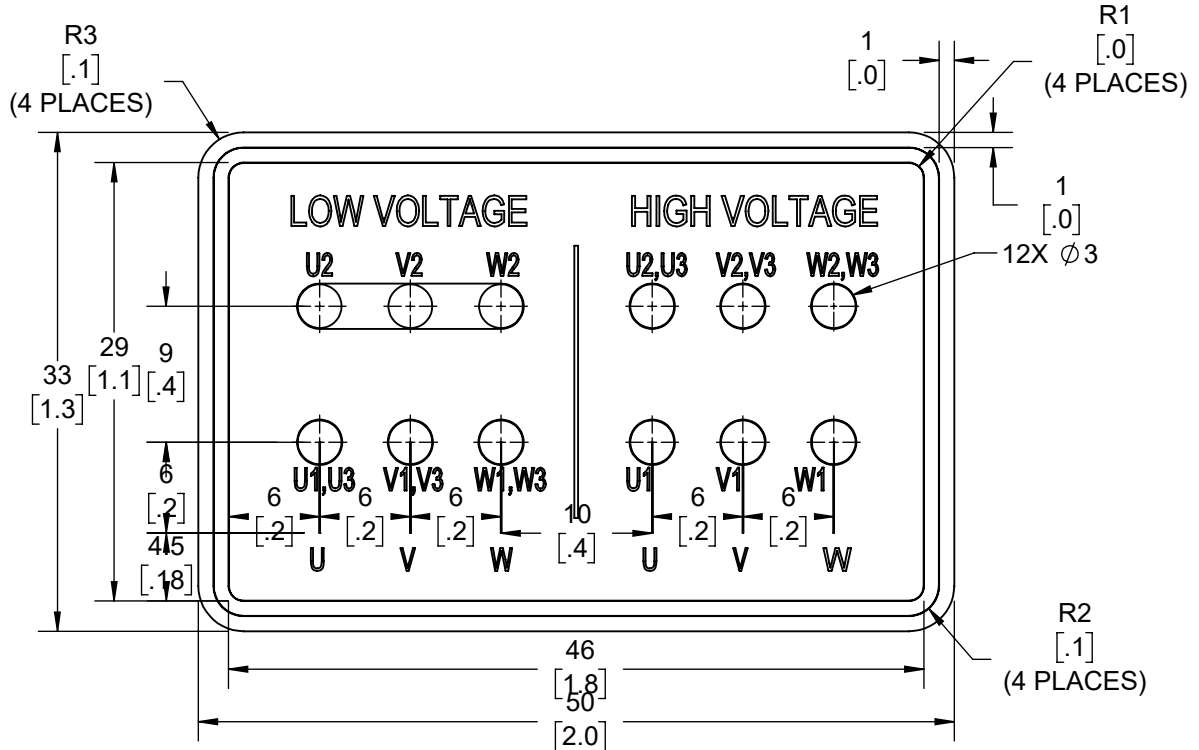
DRAWN BY MSH
DATE 01/11/2019
APPROVED BY VJ
DATE 01/11/2019
REFERENCE
THIRD ANGLE PROJECTION

marathon™ Motors	
OUTLINE	
IEC-132S-B34A-TEFC-CAST IRON	
MATERIAL	PROCESS/FINISH
SIZE B	DRAWING NUMBER SS620951
SHEET 1 OF 1	

COPYRIGHT (PER REVISION DATE) REGAL BELOIT AMERICA, INC. ALL RIGHTS RESERVED. PROPRIETARY AND CONFIDENTIAL INFORMATION - THIS DOCUMENT IS THE PROPERTY OF REGAL BELOIT AMERICA, INC. ("OWNER") AND CONTAINS OWNER'S PROPRIETARY INFORMATION. ANY PERSON, CORPORATION OR OTHER FIRM RECEIVING IT IS DEEMED, BY RECEIVING IT, TO AGREE THAT IT, AND/OR ANY PART OF IT, SHALL NOT BE DISCLOSED TO ANY PERSON, CORPORATION OR OTHER ENTITY, DUPLICATED, AND/OR USED, EXCEPT AS EXPRESSLY APPROVED IN WRITING IN ADVANCE BY OWNER. THIS DOCUMENT SHALL BE RETURNED TO OWNER UPON REQUEST. IT MAY BE SUBJECT TO CERTAIN RESTRICTIONS UNDER APPLICABLE EXPORT CONTROL LAWS AND REGULATIONS.


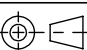
DRAWING REVISION A	REVISION BY LK	REV DATE/@ DATE 30/6/2021
ECO CR-0003544	APPROVED BY JAY	DATE 30/6/2021
ECO DESCRIPTION NEW DRAWING		

GEOMETRIC TOLERANCE		
LINEAR DIM	>0~6	±0.1
	>6~30	±0.2
	>30~120	±0.3



NOTES:

1. PRESSURE-SENSITIVE ADHESIVE COATED PAPER ON THE BACK OF SELF-ADHESIVE.
2. AT THE END OF YELLOW, WORDS, SYMBOLS, LETTERS ARE BLACK, BORDER IS BLACK.
3. THE TOLERANCE OF THE LINEAR SIZE OF THE TOLERANCE WITHOUT THE TOLERANCE BY THE TABLE.
4. LEAD TERMINAL MARKINGS FONT SIZE : U1-U3, V1-V3 AND W1-W3 OF ARIAL WITH 3mm SIZE
5. OTHER LETTER FONT SIZE SHOULD BE 3.5mm.

PRIMARY DIMENSIONS ARE mm INCH DIMENSIONS IN [BRACKETS] ARE FOR REFERENCE ONLY	DRAWN BY LK	 Regal Beloit America, Inc.	
	DATE 30/6/2021		
	APPROVED BY JAY	DESCRIPTION CONN DIAGRAM-NAMEPLATE 9LEADS - STAR CONNECTION	
	DATE 30/6/2021	MATERIAL	PROCESS/FINISH
	REFERENCE	REFER NOTES	
THIRD ANGLE PROJECTION 	SIZE A	DRAWING NUMBER 8442000729	SHEET 1 OF 1



P.O. BOX 8003
WAUSAU, WI 54401-8003
PH. 715-675-3311

DATA VOLTS: 460

CERTIFICATION DATA SHEET

CUSTOMER: _____
ORDER #: _____
CONN. DIAGRAM: 8442000675
OUTLINE: SS620951
WINDING: IE3L1326201 NONE 1
SPEED: _____

CUSTOMER P.O. #: _____
REFERENCE MODEL #: TCA0033AE251GAA009
CAT #: R953
CUSTOMER PART #: _____
MOUNTING: F3

TYPICAL MOTOR PERFORMANCE DATA

HP	KW	SYNC RPM	FL RPM	FRAME	ENCLOSURE	TYPE	KVA CODE	DESIGN
4	3.0	1200	1180	132S	TEFC	TCA 132SA06	J	N

PH	HZ	VOLTS	AMPS	START TYPE	DUTY	INSL	S.F.	AMB (° C)	ELEV.(Ft.)
3	60/50	230/460#200/400	11.6/5.8&10.4/5.2	LINE OR INVERTER	CONT	F	1.15	40	3300

F.L. EFF	89.5	3/4 LD EFF	89.5	1/2 LD EFF	86.8	GTD EFF	ELECT. TYPE
F.L. PF	73.0	3/4 LD PF	64.0	1/2 LD PF	53.0	87.9	SQ CAGE INV RATED

F.L. TORQUE	LR AMPS @ 460 V	L.R. TORQUE	B.D. TORQUE	F.L. RISE (° C)
17.9 LB-FT	37.7	38.9 LB-FT	51.4 LB-FT	80

SOUND PRESSURE @ 3 FT.	SOUND	POWER	ROTOR WK²	MAX. LOAD WK²	SAFE STALL TIME	STARTS/HOUR	APROX.	MOTOR WGT
65 dBA	74 dBA		1.17 LB-FT²	1.17 LB-FT²	15 SEC.	2	77	KG.

***** SUPPLEMENTAL INFORMATION *****

DE BRACKET TYPE	ODE BRACKET TYPE	MOUNT TYPE	MOTOR ORIENTATION	SEVERE DUTY	HAZARDOUS LOCATION	DRIP COVER	SCREENS	PAINT
FT-FLANGE-165	STANDARD	B3	HORIZONTAL	NO	NONE	NO	NONE	BLUE (ENAMEL)

BEARINGS		GREASE	SHAFT TYPE	SPECIAL DE	SPECIAL ODE	SHAFT MATERIAL	FRAME MATERIAL
DE	ODE	POLYREX EM	STANDARD IEC	NONE	NONE	1045 HOT ROLLED (C-204)	CAST IRON
BALL	BALL						
6308	6208						

THERMOSTATS	PROTECTORS	WDG RTD's	BRG RTD's	THERMISTORS	CONTROL	SPACE	HEATERS
NONE	NOT	NONE	NONE	NONE	FALSE		NA

R1 (ohms/ph)	R2 (ohms/ph)	X1 (ohms/ph)	X2 (ohms/ph)	Xm (ohms/ph)	VIBRATION (in/sec)	FLOAT
1.702	0.993	5.177	4.538	78.145	0.150	ODE

* N O T E S *	INVERTER TORQUE: CONSTANT 2:1/VARIABLE 10:1	
	INV. HP SPEED RANGE: NONE	
	ENCODER: NONE	
	NONE	NONE PPR
	NONE	

PREPARED BY: _____	BRAKE: NONE
DATE: 11/27/2020	NONE NONE NONE
	FT-LB: NA HZ:
	VOLTAGE: NONE
FORM: 3531 REV_4 2/27/06	UL: V - LI,ME-INS,CONST UL REC





Data Sheet

Date: 4/13/2020 TCA0033AE251GAA009

Customer: _____

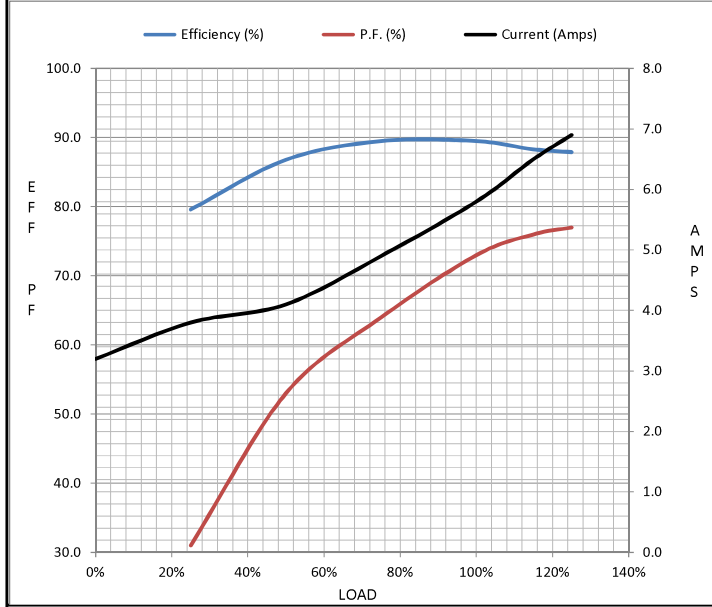
Attention: _____

Submittal

Submitted by: _____ Data @ 460 V

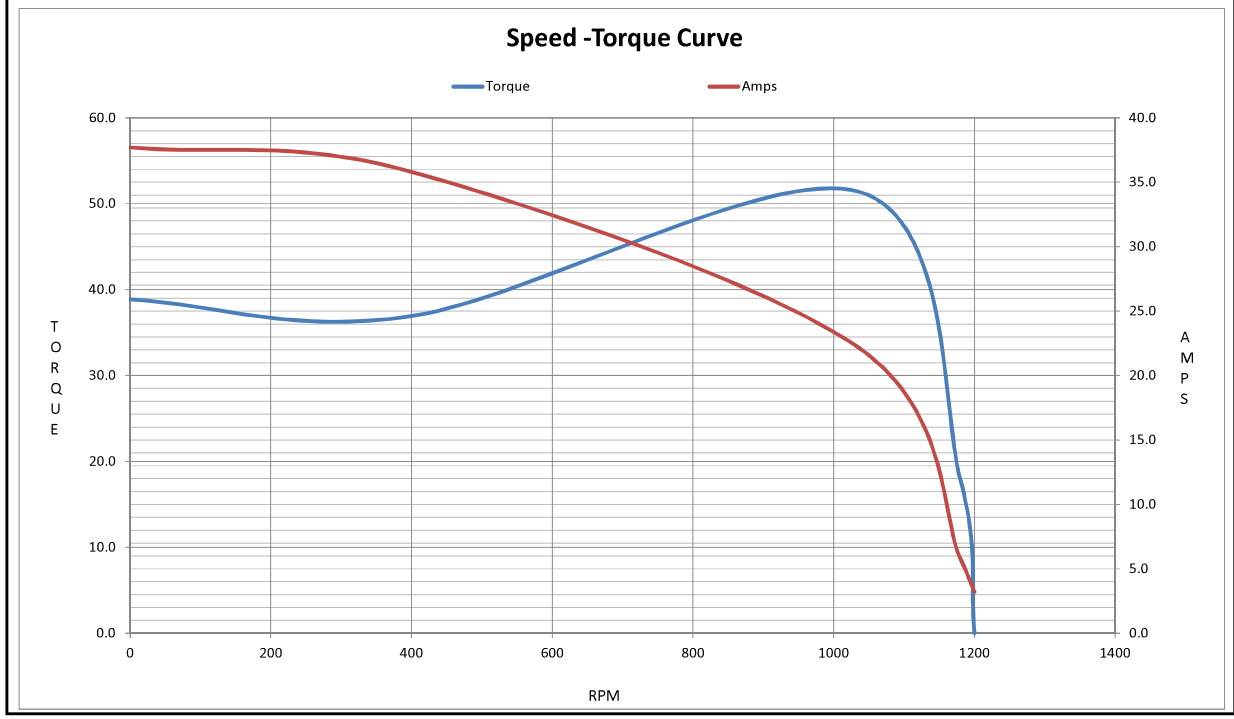
Motor Load Data									
Load	0%	25%	50%	75%	100%	115%	125%	LR	
Current (Amps)	3.2	3.8	4.1	4.9	5.8	6.5	6.9	37.7	
Torque (ft-lb)	0.00	4.4	8.8	13.3	17.9	20.6	22.4	38.9	
RPM	1200	1195	1190	1184	1180	1,174	1172	0	
Efficiency (%)		79.6	86.8	89.5	89.5	88.3	87.9		
P.F. (%)	7.0	31.0	53.0	64.0	73.0	76.0	77.0	63.4	

Motor Speed Data						Information Block			
	LR	Pull-Up	BD	Rated	Idle				
Speed (RPM)	0	400	1037	1180	1200	HP	4.0		
Current (Amps)	37.7	35.8	22.1	5.8	3.2	Sync. RPM	1200		
Torque (ft-lb)	38.9	36.9	51.4	17.9	0.00	Frame	132		
						Enclosure	TEFC		
						Construction	TCA 132SA06		
						Voltage	230/460#200/400 V		
						Frequency	60 Hz		
						Design	N		
						LR Code letter	J		
						Service Factor	1.15		
						Temp Rise @ FL	80 °C		
						Duty	CONT		
						Ambient	40 °C		
						Elevation	3,300 feet		
						Rotor/Shaft wk ²	1.17 Lb-Ft ²		
						Ref Wdg	IE3L1326201 NONE		
						Sound Pressure @ 1M	65 dBA		
						VFD Rating	CONSTANT 2:1/VARIABLE 10:1		
						Outline Dwg	SS620951		
						Conn. Diag	8442000675		
Additional Specifications:									
0									
0									
EQUIV CKT (OHMS / PHASE)									
R1		R2		X1		X2		Xm	
1.7020		0.9930		5.1770		4.5380		78.1450	



IEC

HP		4.0							
Sync. RPM		1200							
Frame		132							
Enclosure		TEFC							
Construction		TCA 132SA06							
Voltage		230/460#200/400 V							
Frequency		60 Hz							
Design		N							
LR Code letter		J							
Service Factor		1.15							
Temp Rise @ FL		80 °C							
Duty		CONT							
Ambient		40 °C							
Elevation		3,300 feet							
Rotor/Shaft wk ²		1.17 Lb-Ft ²							
Ref Wdg		IE3L1326201 NONE							
Sound Pressure @ 1M		65 dBA							
VFD Rating		CONSTANT 2:1/VARIABLE 10:1							
Outline Dwg		SS620951							
Conn. Diag		8442000675							
Additional Specifications:									
0									
0									
EQUIV CKT (OHMS / PHASE)									
R1		R2		X1		X2		Xm	
1.7020		0.9930		5.1770		4.5380		78.1450	



EC Declaration of Conformity

The undersigned representing
the manufacturer:

Regal Beloit America
100 East Randolph St.
Wausau, WI 54401

and the authorized representative
established within the Community:

Marathon Electric UK
6F Thistleton Road Ind. Estate
Market Overton
Oakham, Rutland LE15 7PP UK

are committed to providing customers with products that comply with applicable regulations and international protocols to which they are subject, including the requirements of the European Parliament Directive on the Harmonization of the laws relating to electrical equipment designed for use within certain voltage limits (2014/35/EU).

Regal Beloit America declares that the following product(s), to which this declaration relates, are in conformity with the relevant sections of the EC standards listed below.

This statement supersedes any statements previously issued pertaining to the product(s) listed below and is subject to change without notice.

Model No : TCA0033AE251GAA009

(Model No. may contain prefix and/or suffix characters)

Catalog No : R953

Rework No : N/A

Directives :

Low Voltage Directive 2014/35/EU

Harmonized Standards Used :

EN 60034-1: 2010 (IEC 60034-1: 2010)

EN 60034-5: 2001/A1:2007 (IEC 60034-5: 2000/A1:2006)

Authorized Representative:



Michael A. Logsdon
Vice President, Technology

Authorized Representative in the Community:



Julian Clark
Marketing Engineer

Created on 09/01/2022

CE 22