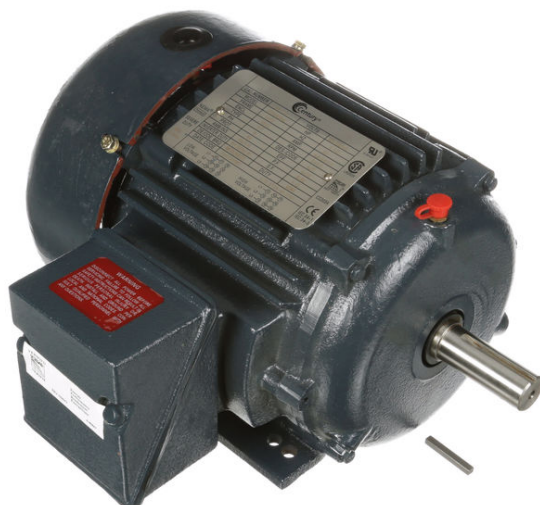


# PRODUCT INFORMATION PACKET



Model No: SD124  
Catalog No: SD124  
20 HP Severe Duty Motor, 3 phase, 1800 RPM, 208-230/460 V, 256T Frame, TEFC  
Severe Duty Motors



Regal and Century are trademarks of Regal Rexnord Corporation or one of its affiliated companies.  
©2021 Regal Rexnord Corporation, All Rights Reserved. MC017097E





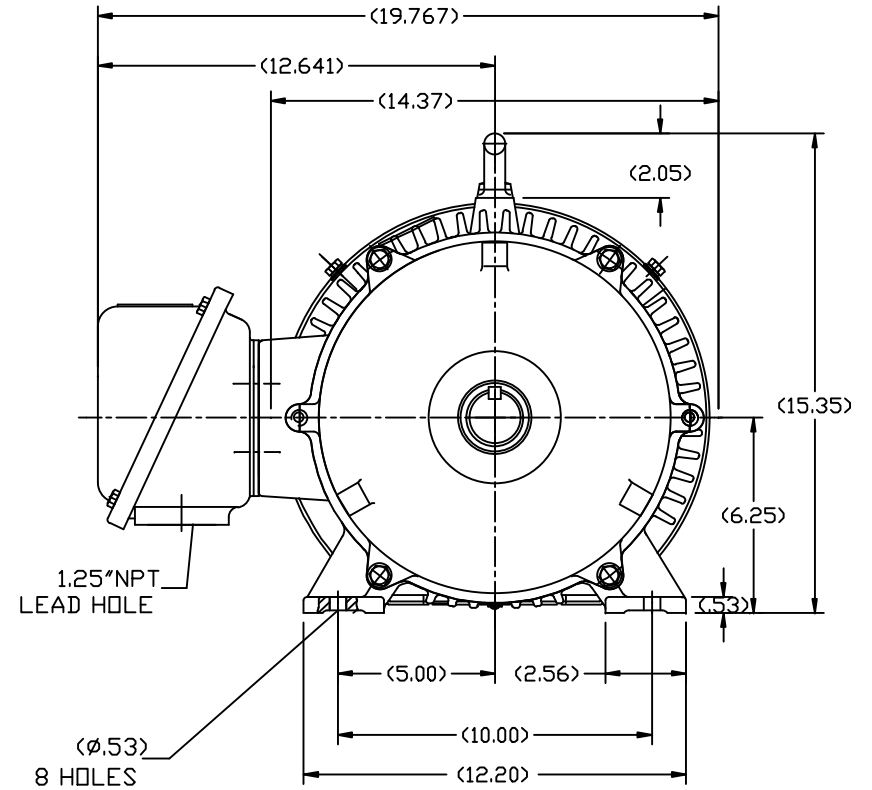
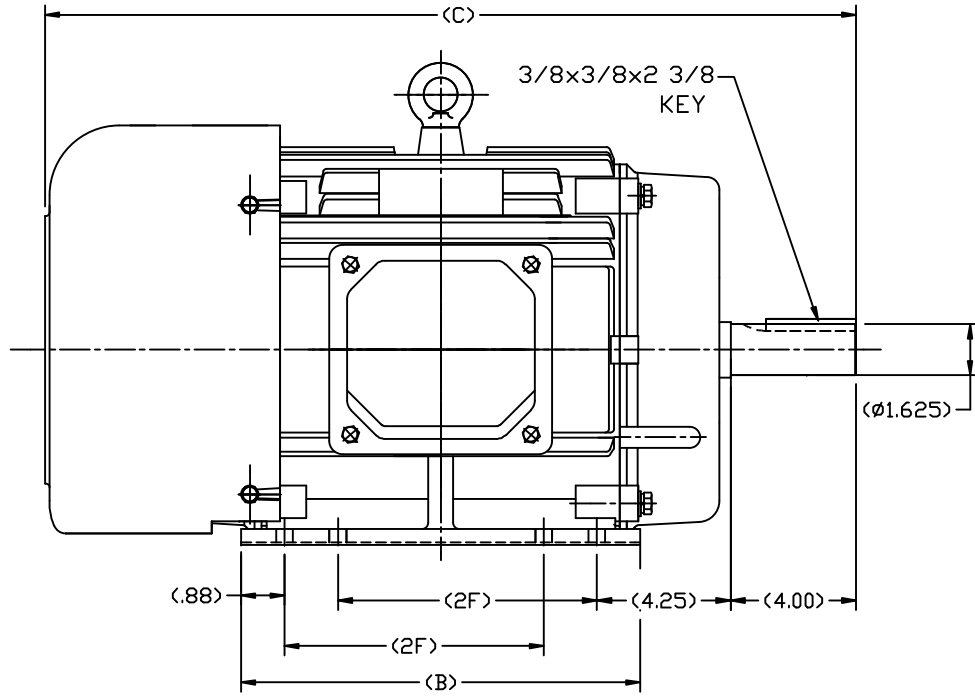
**Nameplate Specifications**

Output HP	<b>20 Hp</b>	Output KW	<b>14.9 kW</b>
Frequency	<b>60 Hz</b>	Voltage	<b>208-230/460 V</b>
Current	<b>24.5 A</b>	Speed	<b>1768 rpm</b>
Service Factor	<b>1.15</b>	Phase	<b>3</b>
Duty	<b>Continuous</b>	Insulation Class	<b>F</b>
Frame	<b>256T</b>	Enclosure	<b>Totally Enclosed Fan Cooled</b>
Thermal Protection	<b>None</b>	Ambient Temperature	<b>40 °C</b>
UL	<b>Recognized</b>	CSA	<b>Y</b>
CE	<b>Y</b>	Number of Speeds	<b>1</b>

**Technical Specifications**

Electrical Type	<b>POLYPHASE</b>	Starting Method	<b>Across The Line</b>
Poles	<b>4</b>	Rotation	<b>Reversible</b>
Mounting	<b>Rigid Base</b>	Drive End Bearing	<b>Ball</b>
Opp Drive End Bearing	<b>Ball</b>	Frame Material	<b>Cast Iron</b>
Shaft Type	<b>Keyed</b>	Overall Length	<b>27.84 in</b>
Frame Length	<b>12.59 in</b>	Shaft Diameter	<b>1.625 in</b>
Shaft Extension	<b>4 in</b>		
Connection Drawing	<b>A-EE7308K</b>	Outline Drawing	<b>SS620605</b>

This is an uncontrolled document once printed or downloaded and is subject to change without notice. Date Created:10/12/2021



254	26.66	12.80	8.25
256	27.84	13.98	10.00
FRAME	C	B	2F

		TOLERANCES UNLESS SPECIFIED		REGAL REGAL-BELOIT CORPORATION		DRAWN ZDU 7.17.2012
		DEC.	INCHES			CHK
		.X	±.1			APPD
		.XX	±.03	TITLE	OUTLINE	
		.XXX	±.005	254/256T FR. TEFC-SEVERE DUTY		SCALE
		.XXXX	±.0005	MAT'L.	REF	
NO.	REVISION	BY & DATE	CHK	ANG	±1/2	FINISH
THIS DRAWING IN DESIGN AND DETAIL IS OUR PROPERTY AND MUST NOT BE USED EXCEPT IN CONNECTION WITH OUR WORK ALL RIGHTS OF DESIGN AND INVENTION ARE RESERVED THIS IS AN ELECTRONICALLY GENERATED DOCUMENT - DO NOT SCALE THIS PRINT				RFP	CAD FILE	SS620605
				DIST	SIZE	DRAWING NO.
					B	SS620605
						REV.

LOW VOLTAGE



HIGH VOLTAGE



VIEW OF TERMINAL END

				TOLERANCES UNLESS SPECIFIED		 <b>REGAL - BELOIT CORPORATION</b>	DRAWN PGK 06-04-1997				
NO.	REVISION	BY & DATE	CHK	ANG	±		INCHES	SCALE			
E	CORRECTED IEC MARKINGS ECD-0111208	WGJ 01-23-2017	EMH	DEC.			CHK ML 06-05-1997				
D	RE-DRAWN WITH REGAL LOGO ECD-0110493	WGJ 09-30-2016	EMH	.X	±.1		APPD GK 06-15-1997				
8	ADDED IEC DESIGNATIONS MU95020	TJW 4/30/2010	MJS	.XX	±.02	TITLE CONNECTION DIAGRAM	REF				
7	REVISED HIGH VOLTAGE L2 WAS L3 CN52600-354	MRB 09-21-1998		.XXX	±.005	DELTA CON. - 3Ø - 9 LEADS	FMF				
6	REDRAWN ON CADD	PGK 06-05-1997		.XXXX	±.0005	MAT'L.	PREV				
					±7'30"	FINISH					
THIS DRAWING IN DESIGN AND DETAIL IS OUR PROPERTY AND MUST NOT BE USED EXCEPT IN CONNECTION WITH OUR WORK ALL RIGHTS OF DESIGN AND INVENTION ARE RESERVED THIS IS AN ELECTRONICALLY GENERATED DOCUMENT - DO NOT SCALE THIS PRINT						RFP	CAD FILE EE7308K	SIZE A	DRAWING NO. EE7308K	PAGE OF	REV. E
						DIST					