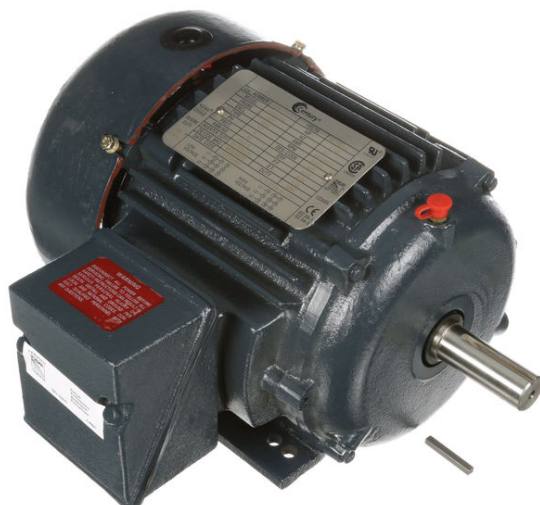


# PRODUCT INFORMATION PACKET



Model No: SD123  
Catalog No: SD123  
20 HP Severe Duty Motor, 3 phase, 1200 RPM, 208-230/460 V, 286T Frame, TEFC  
Severe Duty Motors



Regal and Century are trademarks of Regal Rexnord Corporation or one of its affiliated companies.  
©2021 Regal Rexnord Corporation, All Rights Reserved. MC017097E





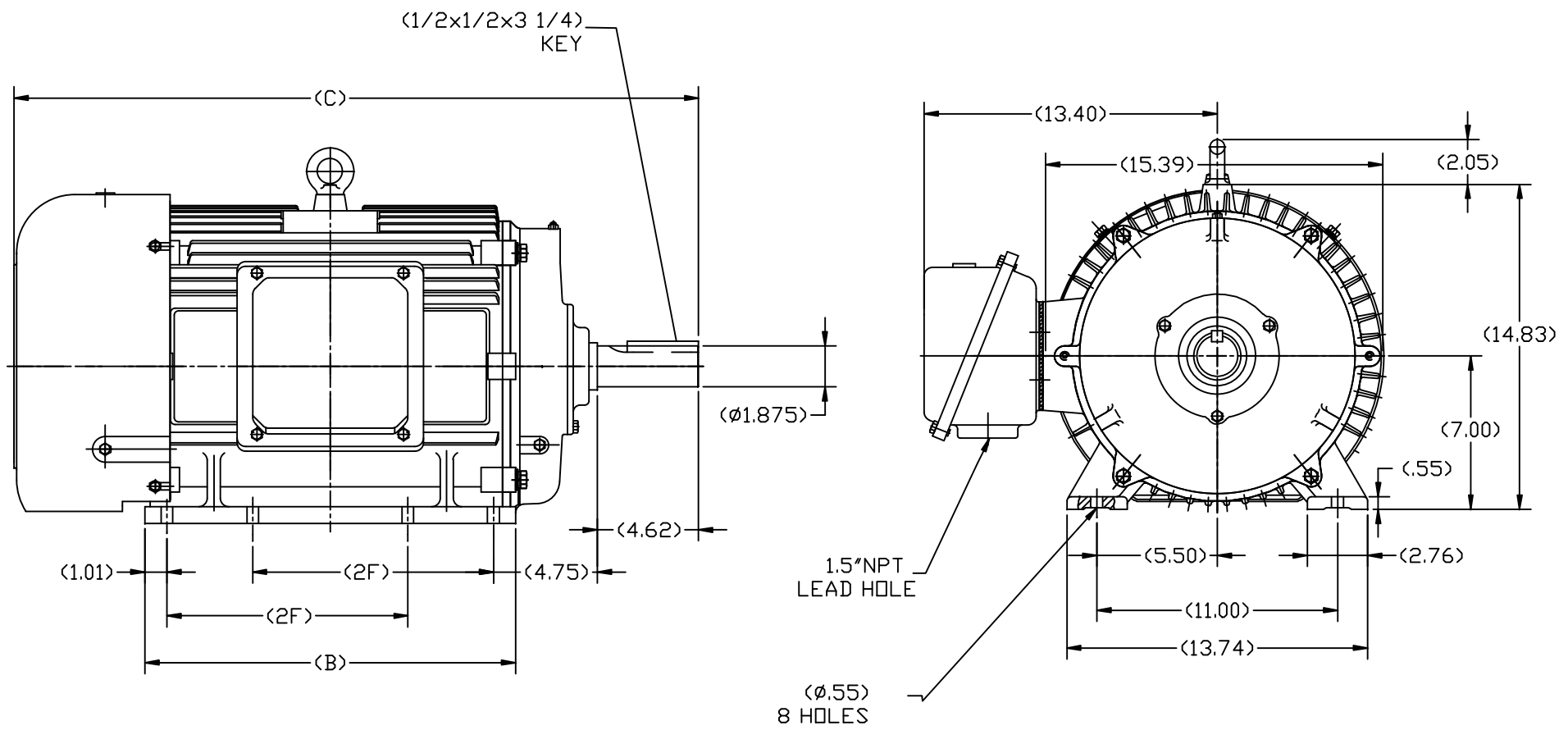
**Nameplate Specifications**

Output HP	<b>20 Hp</b>	Output KW	<b>14.9 kW</b>
Frequency	<b>60 Hz</b>	Voltage	<b>208-230/460 V</b>
Current	<b>26 A</b>	Speed	<b>1185 rpm</b>
Service Factor	<b>1.15</b>	Phase	<b>3</b>
Duty	<b>Continuous</b>	Insulation Class	<b>F</b>
Frame	<b>286T</b>	Enclosure	<b>Totally Enclosed Fan Cooled</b>
Thermal Protection	<b>None</b>	Ambient Temperature	<b>40 °C</b>
UL	<b>Recognized</b>	CSA	<b>Y</b>
CE	<b>Y</b>	Number of Speeds	<b>1</b>

**Technical Specifications**

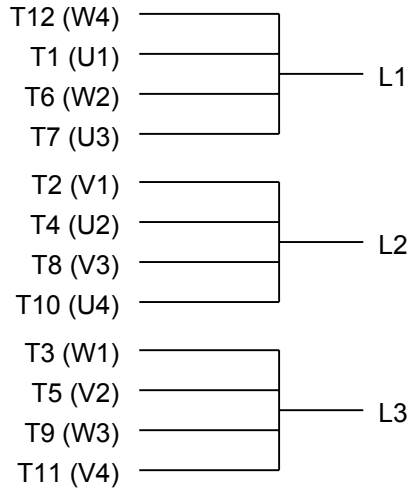
Electrical Type	<b>POLYPHASE</b>	Starting Method	<b>Across The Line</b>
Poles	<b>6</b>	Rotation	<b>Reversible</b>
Mounting	<b>Rigid Base</b>	Drive End Bearing	<b>Ball</b>
Opp Drive End Bearing	<b>Ball</b>	Frame Material	<b>Cast Iron</b>
Shaft Type	<b>Keyed</b>	Overall Length	<b>31.34 in</b>
Frame Length	<b>15.74 in</b>	Shaft Diameter	<b>1.875 in</b>
Shaft Extension	<b>4.62 in</b>		
Connection Drawing	<b>A-EE7308AA</b>	Outline Drawing	<b>SS620607</b>

This is an uncontrolled document once printed or downloaded and is subject to change without notice. Date Created:10/12/2021

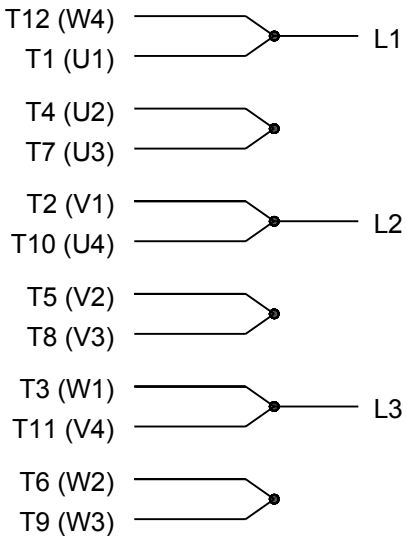


284TC	30.16	15.75	9.50
286TC	31.34	16.93	11.00
FRAME	C	B	2F

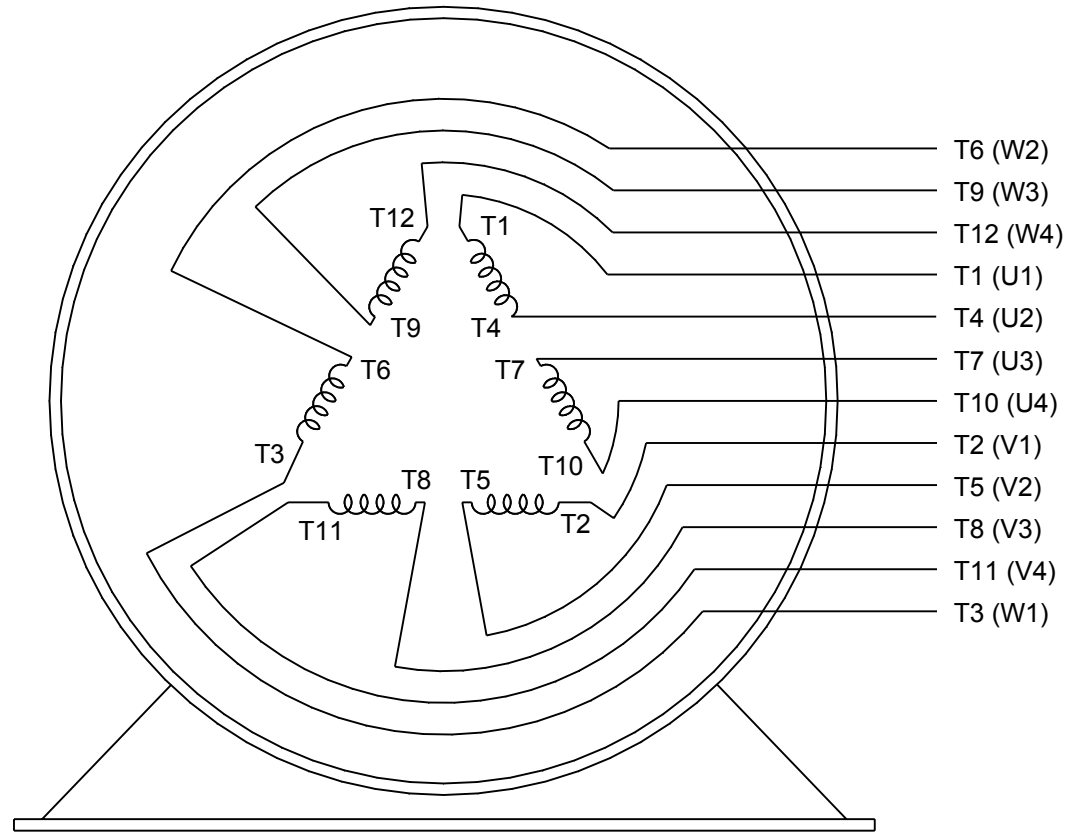
		TOLERANCES UNLESS SPECIFIED		REGAL REGAL-BELOIT CORPORATION		DRAWN ZDU 7.17.2012
		DEC.	INCHES			CHK
		.X	±.1			APPD
		.XX	±.03	TITLE		SCALE
		.XXX	±.005	284/286T FR. TEFC-SEVERE DUTY		REF
		.XXXX	±.0005	MAT'L.		FMF
NO.	REVISION	BY & DATE	CHK	ANG	±1/2	PREV
THIS DRAWING IN DESIGN AND DETAIL IS OUR PROPERTY AND MUST NOT BE USED EXCEPT IN CONNECTION WITH OUR WORK. ALL RIGHTS OF DESIGN AND INVENTION ARE RESERVED. THIS IS AN ELECTRONICALLY GENERATED DOCUMENT - DO NOT SCALE THIS PRINT			RFP	CAD FILE	SS620607	SIZE B
			DIST			DRAWING NO. SS620607
						REV.



### LOW VOLTAGE

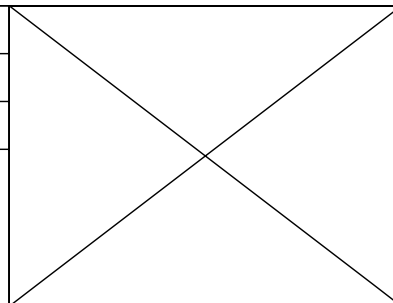


### HIGH VOLTAGE



### VIEW OF TERMINAL END

DRAWING REVISION <b>K</b>	REVISION BY <b>AJW</b>	DATE <b>07-17-2015</b>
ECO <b>ECO-0081632</b>	APPROVED BY <b>T. VUE</b>	DATE <b>07-17-2015</b>
ECO DESCRIPTION <b>REV'D IEC MARKINGS PER IEC 60034-8</b>		
COPYRIGHT REGAL BELOIT AMERICA, INC. ALL RIGHTS RESERVED. PROPRIETARY AND CONFIDENTIAL INFORMATION - THIS DOCUMENT IS THE PROPERTY OF REGAL BELOIT AMERICA, INC. ("OWNER") AND CONTAINS OWNER'S PROPRIETARY INFORMATION. ANY PERSON, CORPORATION OR OTHER FIRM RECEIVING IT IS DEEMED, BY RECEIVING IT, TO AGREE THAT IT, AND/OR ANY PART OF IT, SHALL NOT BE DISCLOSED TO ANY PERSON, CORPORATION OR OTHER ENTITY, DUPLICATED, AND/OR USED, EXCEPT AS EXPRESSLY APPROVED IN WRITING IN ADVANCE BY OWNER. THIS DOCUMENT SHALL BE RETURNED TO OWNER UPON REQUEST. IT MAY BE SUBJECT TO CERTAIN RESTRICTIONS UNDER APPLICABLE EXPORT CONTROL LAWS AND REGULATIONS.		



DRAWN BY <b>LZ</b>	<b>Regal Beloit America, Inc.</b>	
DATE <b>01-12-1994</b>		
APPROVED BY <b>GK</b>	DESCRIPTION <b>CONN DIAGRAM-EXTERNAL</b> <b>3Ø-2/1 DELTA-12 LEADS</b>	
DATE <b>01-14-1994</b>		
REFERENCE	MATERIAL	PROCESS/FINISH
THIRD ANGLE PROJECTION	SIZE <b>A</b>	DRAWING NUMBER <b>EE7308AA</b>
		SHEET <b>1 OF 1</b>