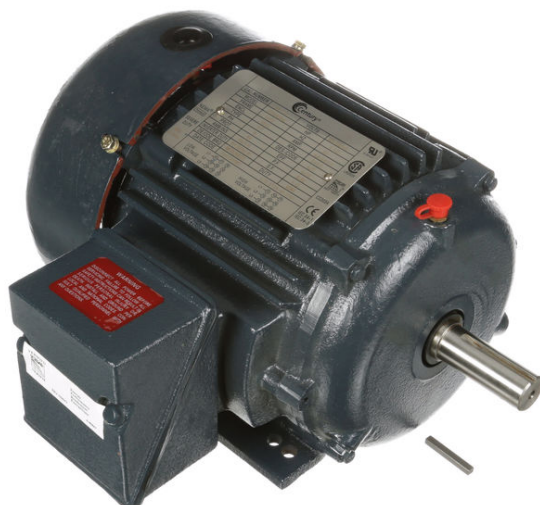


PRODUCT INFORMATION PACKET



Model No: SD114
Catalog No: SD114
7.5 HP Severe Duty Motor, 3 phase, 1200 RPM, 208-230/460 V, 254T Frame, TEFC
Severe Duty Motors



Regal and Century are trademarks of Regal Rexnord Corporation or one of its affiliated companies.
©2021 Regal Rexnord Corporation, All Rights Reserved. MC017097E





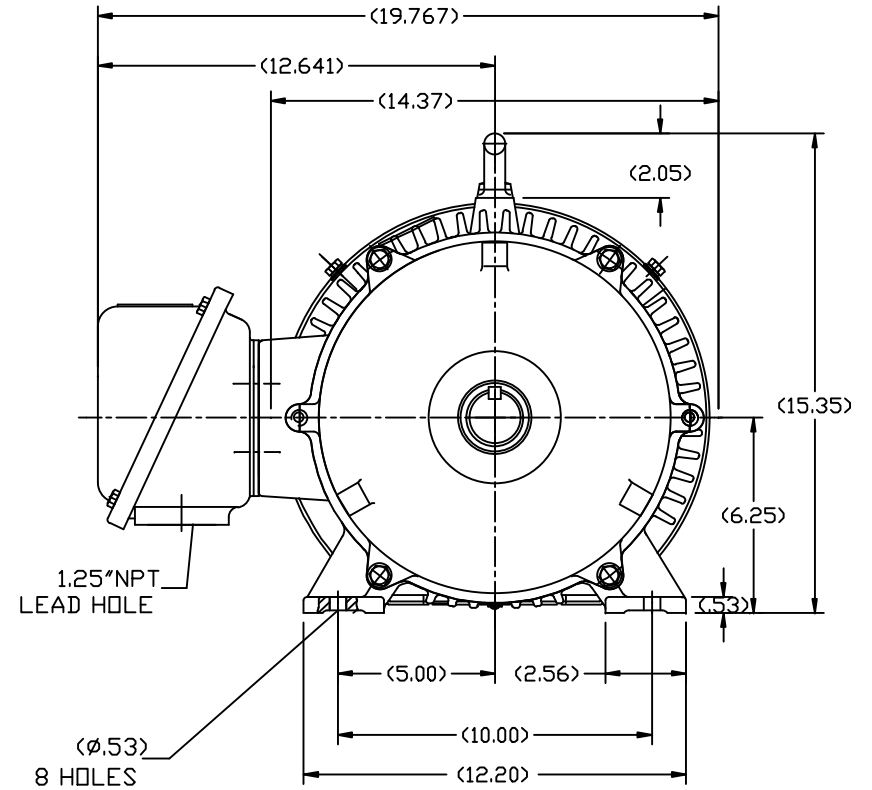
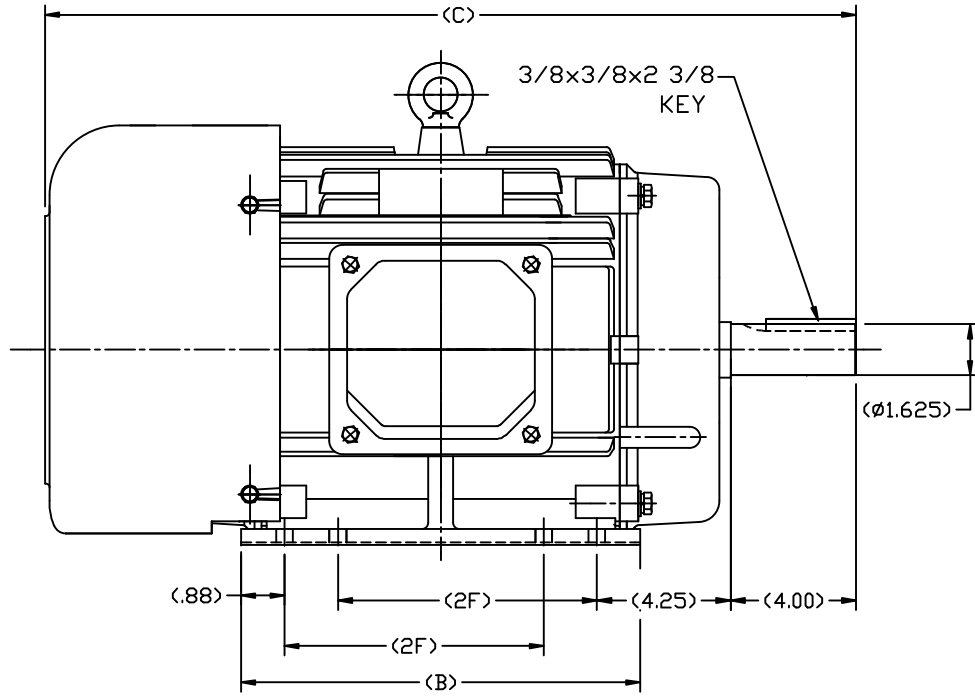
Nameplate Specifications

| | | | |
|--------------------|-------------------|---------------------|------------------------------------|
| Output HP | 7.5 Hp | Output KW | 5.6 kW |
| Frequency | 60 Hz | Voltage | 208-230/460 V |
| Current | 10.5 A | Speed | 1182 rpm |
| Service Factor | 1.15 | Phase | 3 |
| Duty | Continuous | Insulation Class | F |
| Frame | 254T | Enclosure | Totally Enclosed Fan Cooled |
| Thermal Protection | None | Ambient Temperature | 40 °C |
| UL | Recognized | CSA | Y |
| CE | Y | Number of Speeds | 1 |

Technical Specifications

| | | | |
|-----------------------|-------------------|-------------------|------------------------|
| Electrical Type | POLYPHASE | Starting Method | Across The Line |
| Poles | 6 | Rotation | Reversible |
| Mounting | Rigid Base | Drive End Bearing | Ball |
| Opp Drive End Bearing | Ball | Frame Material | Cast Iron |
| Shaft Type | Keyed | Overall Length | 26.66 in |
| Frame Length | 11.41 in | Shaft Diameter | 1.625 in |
| Shaft Extension | 4 in | | |
| Connection Drawing | A-EE7308K | Outline Drawing | SS620605 |

This is an uncontrolled document once printed or downloaded and is subject to change without notice. Date Created:10/12/2021



| | | | |
|-------|-------|-------|-------|
| 254 | 26.66 | 12.80 | 8.25 |
| 256 | 27.84 | 13.98 | 10.00 |
| FRAME | C | B | 2F |

| | | TOLERANCES UNLESS SPECIFIED | | REGAL REGAL-BELOIT CORPORATION | | DRAWN ZDU 7.17.2012 |
|--|----------|-----------------------------|--------|--------------------------------|----------|---------------------|
| | | DEC. | INCHES | | | CHK |
| | | .X | ±.1 | | | APPD |
| | | .XX | ±.03 | TITLE | OUTLINE | |
| | | .XXX | ±.005 | 254/256T FR. TEFC-SEVERE DUTY | | |
| | | .XXXX | ±.0005 | MAT'L. | | |
| NO. | REVISION | BY & DATE | CHK | ANG | ±1/2 | FINISH |
| THIS DRAWING IN DESIGN AND DETAIL IS OUR PROPERTY AND MUST NOT BE USED EXCEPT IN CONNECTION WITH OUR WORK. ALL RIGHTS OF DESIGN AND INVENTION ARE RESERVED. THIS IS AN ELECTRONICALLY GENERATED DOCUMENT - DO NOT SCALE THIS PRINT | | | | RFP | CAD FILE | SS620605 |
| | | | | DIST | SIZE | DRAWING NO. |
| | | | | | B | SS620605 |
| | | | | | | REV. |

LOW VOLTAGE



HIGH VOLTAGE



VIEW OF TERMINAL END

| | | | TOLERANCES UNLESS SPECIFIED | |  REGAL - BELOIT CORPORATION | DRAWN PGK 06-04-1997 | | | | | |
|--|--|----------------|-----------------------------|-------|--|----------------------|---------------------------------|--------------------|---------------------|---------|--------|
| NO. | REVISION | BY & DATE | CHK | ANG | | ± | INCHES | SCALE | PREV | | |
| E | CORRECTED IEC MARKINGS ECD-0111208 | WGJ 01-23-2017 | EMH | DEC. | | | | CHK ML 06-05-1997 | | | |
| D | RE-DRAWN WITH REGAL LOGO ECD-0110493 | WGJ 09-30-2016 | EMH | .X | ±.1 | | | APPD GK 06-15-1997 | | | |
| 8 | ADDED IEC DESIGNATIONS MU95020 | TJW 4/30/2010 | MJS | .XX | ±.02 | | TITLE CONNECTION DIAGRAM | | | | |
| 7 | REVISED HIGH VOLTAGE L2 WAS L3 CN52600-354 | MRB 09-21-1998 | | .XXX | ±.005 | | TITLE DELTA CON. - 3Ø - 9 LEADS | REF | | | |
| 6 | REDRAWN ON CADD | PGK 06-05-1997 | | .XXXX | ±.0005 | | MAT'L. | FMF | | | |
| | | | | | ±7'30" | | FINISH | | | | |
| THIS DRAWING IN DESIGN AND DETAIL IS OUR PROPERTY AND MUST NOT BE USED EXCEPT IN CONNECTION WITH OUR WORK ALL RIGHTS OF DESIGN AND INVENTION ARE RESERVED THIS IS AN ELECTRONICALLY GENERATED DOCUMENT - DO NOT SCALE THIS PRINT | | | | | RFP | CAD FILE EE7308K | | SIZE A | DRAWING NO. EE7308K | PAGE OF | REV. E |
| | | | | | DIST | | | | | | |