

PRODUCT INFORMATION PACKET

Model No: SD113

Catalog No: SD113

Severe Duty Motor, 5 HP, 3 Ph, 60 Hz, 208-230/460 V, 3600 RPM, 184T Frame, TEFC



Regal and are trademarks of Regal Rexnord Corporation or one of its affiliated companies.
©2022 Regal Rexnord Corporation, All Rights Reserved. MC017097E

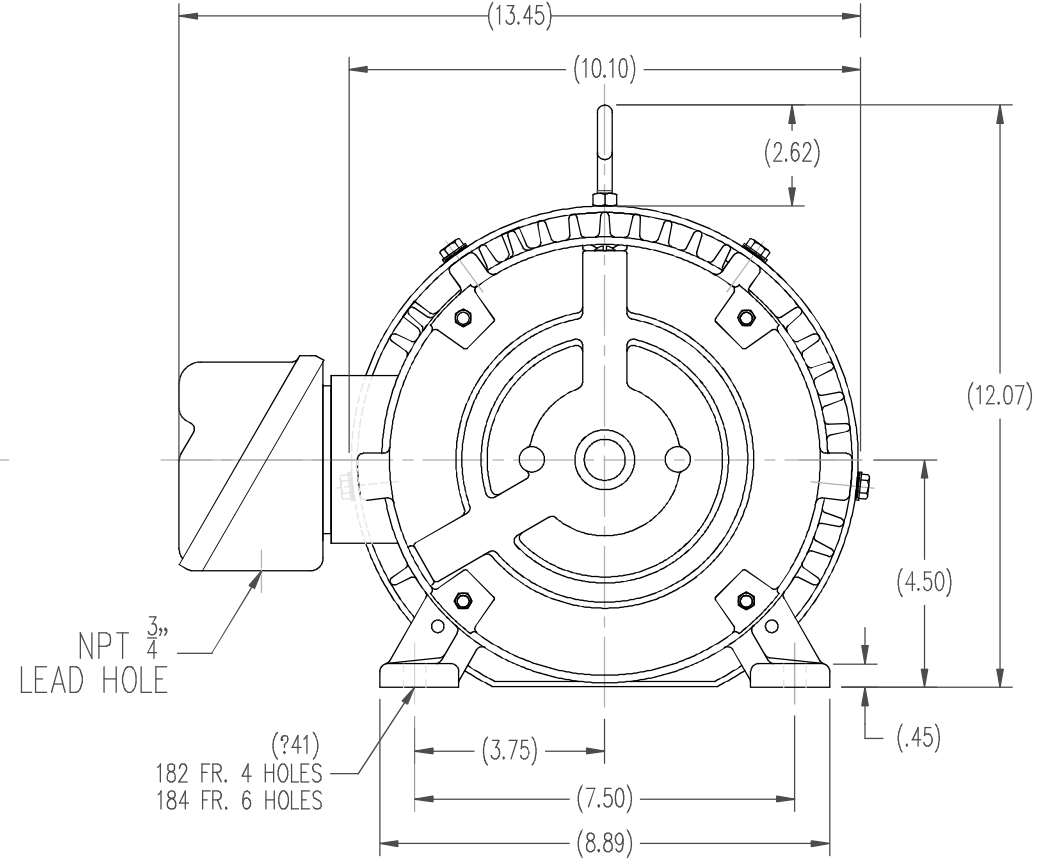
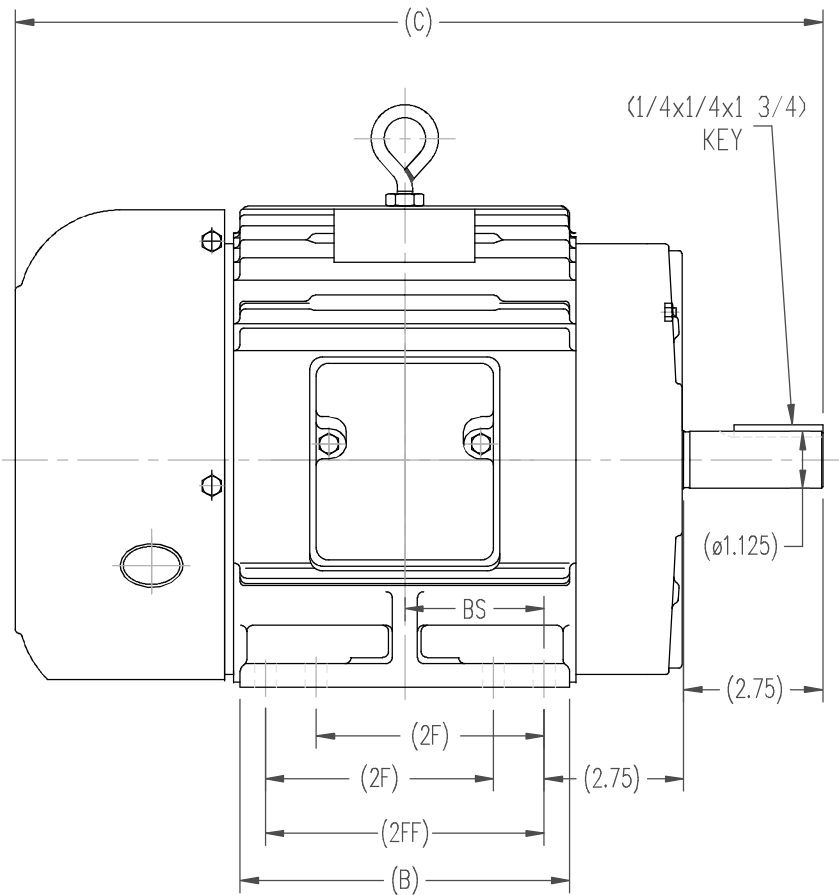
Nameplate Specifications

Output HP	5 Hp	Output KW	3.7 kW
Frequency	60 Hz	Voltage	208-230/460 V
Current	13.3-12/6 A	Speed	3505 rpm
Service Factor	1.15	Phase	3
Duty	Continuous	Insulation Class	F
Frame	184T	Enclosure	Totally Enclosed Fan Cooled
Thermal Protection	No Protection	Ambient Temperature	40 °C
UL	Recognized	CSA	Y
CE	Y	Number of Speeds	1

Technical Specifications

Electrical Type	POLYPHASE	Starting Method	Across The Line
Poles	2	Rotation	Reversible
Mounting	Rigid Base	Drive End Bearing	Ball
Opp Drive End Bearing	Ball	Frame Material	Cast Iron
Shaft Type	Keyed	Overall Length	16.14 in
Frame Length	6.75 in	Shaft Diameter	1.125 in
Shaft Extension	2.75 in		
Outline Drawing	SS620603	Connection Drawing	A-EE7308

This is an uncontrolled document once printed or downloaded and is subject to change without notice. Date Created:09/16/2022



182T	15.15	5.50	-	4.50	2.25
184T	16.14	6.55	5.50	4.50	2.75
FRAME	C	B	2FF	2F	BS

			TOLERANCES UNLESS SPECIFIED		REGAL REGAL-BELOIT CORPORATION		DRAWN ZOU 7.17.2012	
			DEC.	INCHES			CHK	
			.X	±.1	TITLE OUTLINE 182/184T FR. TEFC-SEVERE DUTY		APPD	
			.XX	±.03			SCALE	
			.XXX	±.005	MAT'L.		REF	
			.XXXX	±.0005			FMF	
NO. REVISION			BY & DATE	CHK	ANG	FINISH	PREV	
THIS DRAWING IN DESIGN AND DETAIL IS OUR PROPERTY AND MUST NOT BE USED EXCEPT IN CONNECTION WITH OUR WORK ALL RIGHTS OF DESIGN AND INVENTION ARE RESERVED THIS IS AN ELECTRONICALLY GENERATED DOCUMENT - DO NOT SCALE THIS PRINT					RFP	CAD FILE	SS620603	SIZE
					DIST			B
							DRAWING NO.	SS620603
							REV.	



NO.	REVISION	BY & DATE	CHK	ANG	TOLERANCES UNLESS SPECIFIED		FINISH	DRAWN RM	ML	REV.
					DEC.	INCHES				
5	CHG TO REGAL LOGO	SL 09/10/2015	AB					RM	11/20/1990	
4	REVISED IEC NOTATIONS	MSG 11/15/2011	CMN	.X	±.1			CHK	ML	11/21/1990
3	ADDED IEC NOTATIONS... (U1), (V1) ETC. MU95194	MSG 5/10/2010	MJS	.XX	±.02			APPD	SAS	04/24/2003
2	ADDED THE OPTIONAL CORD CONNECTION MU46318	RDH 04/24/2003	DRS	.XXX	±.005					SCALE 1=1
1	REDRAWN	RM 11/20/1990		.XXXX	±.0005					REF
					±7'30"					FMF
THIS DRAWING IN DESIGN AND DETAIL IS OUR PROPERTY AND MUST NOT BE USED EXCEPT IN CONNECTION WITH OUR WORK ALL RIGHTS OF DESIGN AND INVENTION ARE RESERVED THIS IS AN ELECTRONICALLY GENERATED DOCUMENT - DO NOT SCALE THIS PRINT							RFP	CAD FILE ee7308		SIZE A
							DIST WP	DRAWING NO. EE7308	PAGE OF 5	REV. 5