

PRODUCT INFORMATION PACKET



Model No: SD109
Catalog No: SD109
3 HP Severe Duty Motor, 3 phase, 1800 RPM, 208-230/460 V, 182T Frame, TEFC
Severe Duty Motors



Regal and Century are trademarks of Regal Rexnord Corporation or one of its affiliated companies.
©2021 Regal Rexnord Corporation, All Rights Reserved. MC017097E





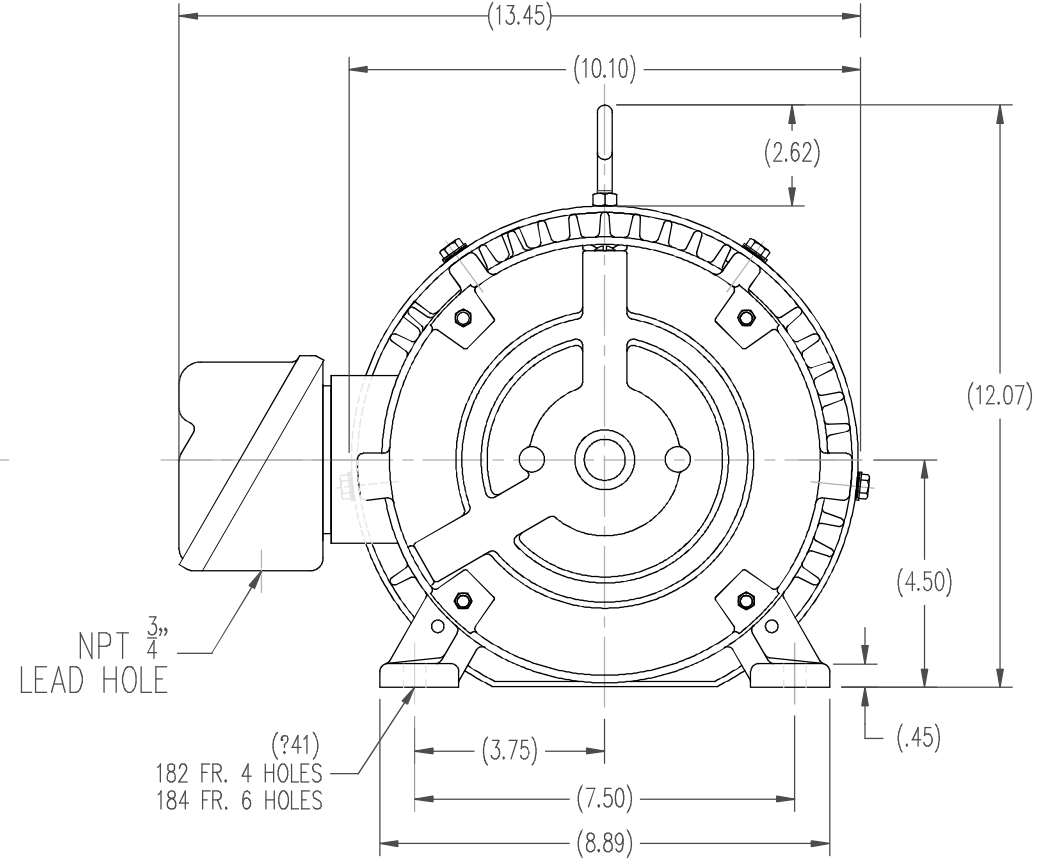
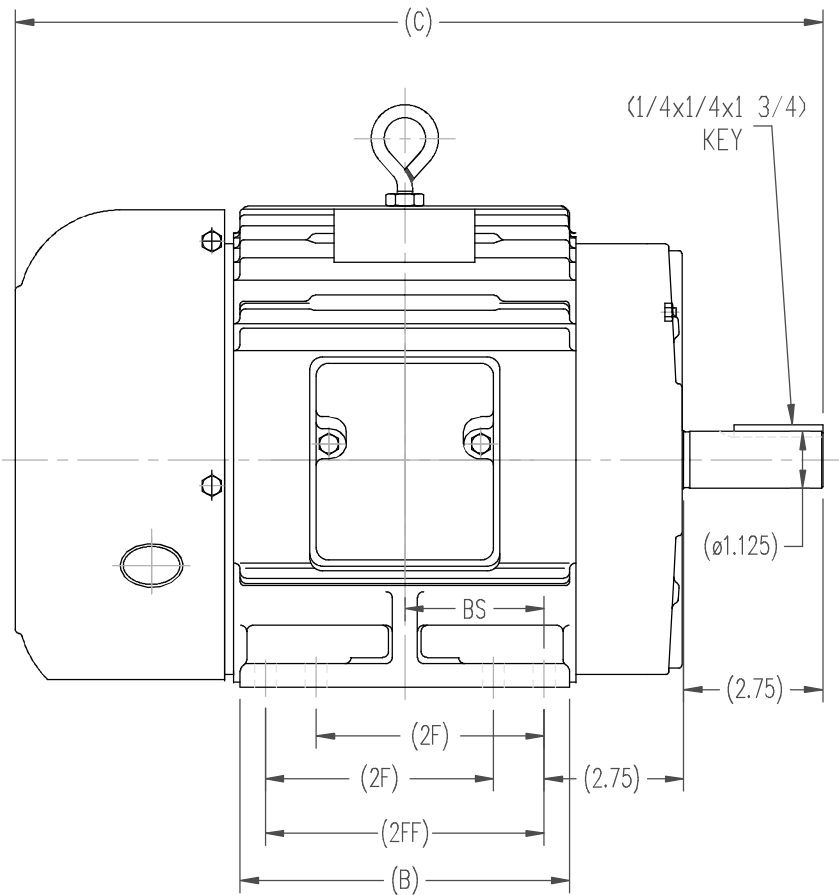
Nameplate Specifications

Output HP	3 Hp	Output KW	2.2 kW
Frequency	60 Hz	Voltage	208-230/460 V
Current	8.4-7.6/3.8 A	Speed	1760 rpm
Service Factor	1.15	Phase	3
Duty	Continuous	Insulation Class	F
Frame	182T	Enclosure	Totally Enclosed Fan Cooled
Thermal Protection	None	Ambient Temperature	40 °C
UL	Recognized	CSA	Y
CE	Y	Number of Speeds	1

Technical Specifications

Electrical Type	POLYPHASE	Starting Method	Across The Line
Poles	4	Rotation	Reversible
Mounting	Rigid Base	Drive End Bearing	Ball
Opp Drive End Bearing	Ball	Frame Material	Cast Iron
Shaft Type	Keyed	Overall Length	15.15 in
Frame Length	5.74 in	Shaft Diameter	1.125 in
Shaft Extension	2.75 in		
Connection Drawing	A-EE7308	Outline Drawing	SS620603

This is an uncontrolled document once printed or downloaded and is subject to change without notice. Date Created:10/12/2021



182T	15.15	5.50	-	4.50	2.25
184T	16.14	6.55	5.50	4.50	2.75
FRAME	C	B	2FF	2F	BS

NO.		REVISION	BY & DATE	CHK	ANG	TOLERANCES UNLESS SPECIFIED	REGAL REGAL-BELOIT CORPORATION		DRAWN	ZOU 7.17.2012		
						DEC.	INCHES					
						.X	±.1					
						.XX	±.03	TITLE				
						.XXX	±.005	182/184T FR. TEFC-SEVERE DUTY				
						.XXXX	±.0005	MAT'L.				
							±1/2	FINISH				
THIS DRAWING IN DESIGN AND DETAIL IS OUR PROPERTY AND MUST NOT BE USED EXCEPT IN CONNECTION WITH OUR WORK ALL RIGHTS OF DESIGN AND INVENTION ARE RESERVED THIS IS AN ELECTRONICALLY GENERATED DOCUMENT - DO NOT SCALE THIS PRINT							RFP	CAD FILE	SS620603	SIZE	DRAWING NO.	REV.
							DIST			B	SS620603	



NO.	REVISION	BY & DATE	CHK	ANG	TOLERANCES UNLESS SPECIFIED		FINISH	DRAWN RM	ML	REV.				
					DEC.	INCHES								
5	CHG TO REGAL LOGO	SL 09/10/2015	AB					RM	11/20/1990					
4	REVISED IEC NOTATIONS	MSG 11/15/2011	CMN	.X	±.1			CHK	ML	11/21/1990				
3	ADDED IEC NOTATIONS... (U1), (V1) ETC. MU95194	MSG 5/10/2010	MJS	.XX	±.02			APPD	SAS	04/24/2003				
2	ADDED THE OPTIONAL CORD CONNECTION MU46318	RDH 04/24/2003	DRS	.XXX	±.005			TITLE	CONNECTION DIAGRAM					
1	REDRAWN	RM 11/20/1990		.XXXX	±.0005			3Ø - DUAL VOLTAGE MOTOR	SCALE	1=1				
					±7'30"			REF						
								MAT'L.	FMF					
								PREV						
THIS DRAWING IN DESIGN AND DETAIL IS OUR PROPERTY AND MUST NOT BE USED EXCEPT IN CONNECTION WITH OUR WORK ALL RIGHTS OF DESIGN AND INVENTION ARE RESERVED THIS IS AN ELECTRONICALLY GENERATED DOCUMENT - DO NOT SCALE THIS PRINT							RFP	CAD FILE	ee7308	SIZE	DRAWING NO.	PAGE	OF	REV.
							DIST	WP		A	EE7308	5		