

# PRODUCT INFORMATION PACKET

Model No: SCA0903A1133GAA001

Catalog No: SCA0903A1133GAA001

TerraMAX® Cast Iron Motor, 120 HP, 3 Ph, 50 Hz, 400 V, 1000 RPM, 315M Frame, TEFC



Regal and Marathon are trademarks of Regal Rexnord Corporation or one of its affiliated companies.

©2022 Regal Rexnord Corporation, All Rights Reserved. MC017097E

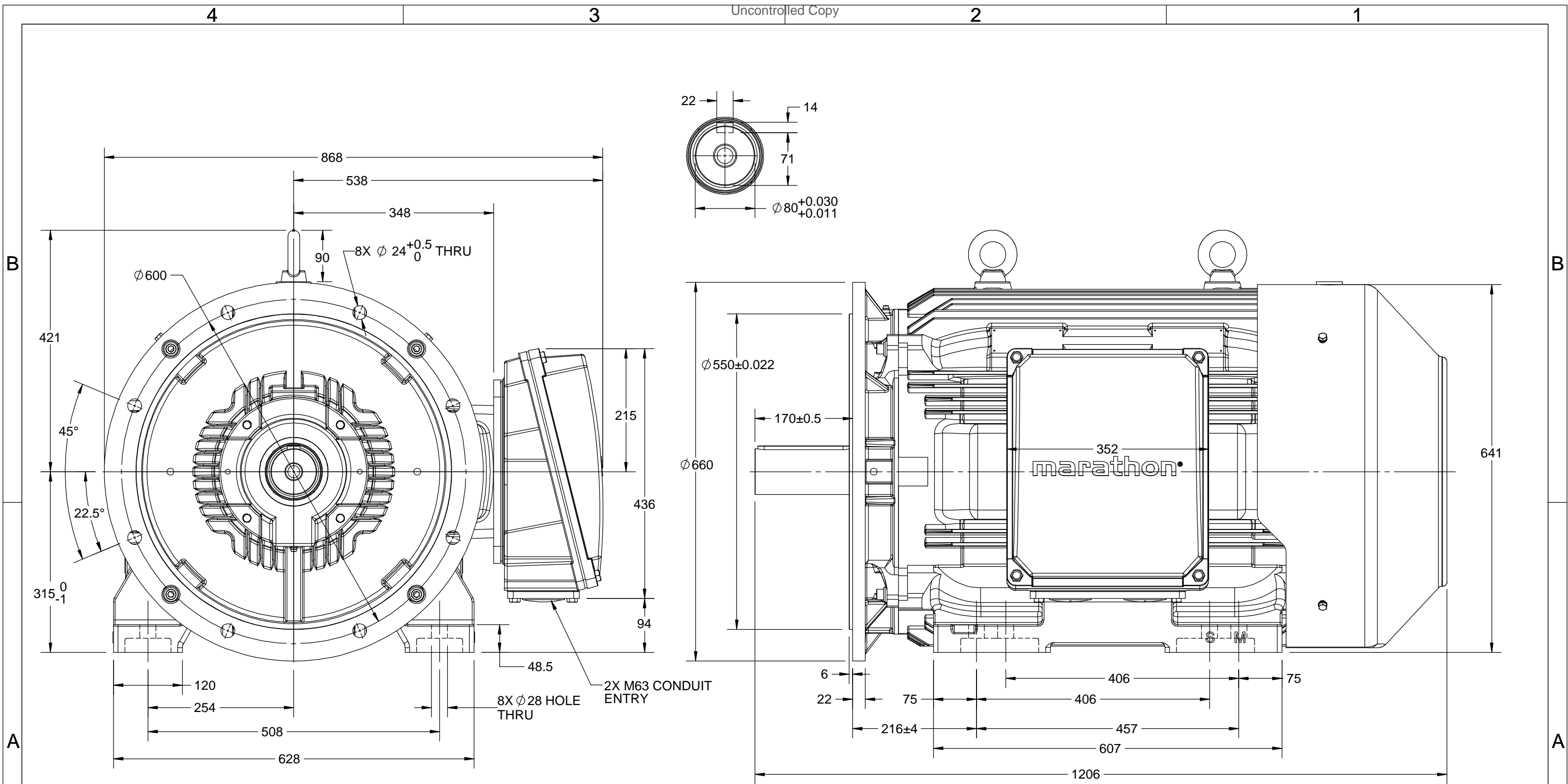
### Nameplate Specifications

|                        |                      |                            |                                    |
|------------------------|----------------------|----------------------------|------------------------------------|
| Output HP              | <b>120 Hp</b>        | Output KW                  | <b>90.0 kW</b>                     |
| Frequency              | <b>50 Hz</b>         | Voltage                    | <b>400 V</b>                       |
| Current                | <b>166.5 A</b>       | Speed                      | <b>990 rpm</b>                     |
| Service Factor         | <b>1</b>             | Phase                      | <b>3</b>                           |
| Efficiency             | <b>94 %</b>          | Power Factor               | <b>0.83</b>                        |
| Duty                   | <b>S1</b>            | Insulation Class           | <b>F</b>                           |
| Frame                  | <b>315M</b>          | Enclosure                  | <b>Totally Enclosed Fan Cooled</b> |
| Thermal Protection     | <b>No Protection</b> | Ambient Temperature        | <b>40 °C</b>                       |
| Drive End Bearing Size | <b>6319</b>          | Opp Drive End Bearing Size | <b>6319</b>                        |
| UL                     | <b>No</b>            | CSA                        | <b>No</b>                          |
| CE                     | <b>Yes</b>           | IP Code                    | <b>55</b>                          |
| Number of Speeds       | <b>1</b>             | Efficiency Class           | <b>IE2</b>                         |

### Technical Specifications

|                       |                      |                       |                       |
|-----------------------|----------------------|-----------------------|-----------------------|
| Electrical Type       | <b>Squirrel Cage</b> | Starting Method       | <b>Direct On Line</b> |
| Poles                 | <b>6</b>             | Rotation              | <b>Bi-Directional</b> |
| Mounting              | <b>B35</b>           | Motor Orientation     | <b>Horizontal</b>     |
| Drive End Bearing     | <b>C3</b>            | Opp Drive End Bearing | <b>C3</b>             |
| Frame Material        | <b>Cast Iron</b>     | Shaft Type            | <b>Keyed</b>          |
| Overall Length        | <b>1206 mm</b>       | Frame Length          | <b>729 mm</b>         |
| Shaft Diameter        | <b>80 mm</b>         | Shaft Extension       | <b>170 mm</b>         |
| Assembly/Box Mounting | <b>R Side</b>        |                       |                       |
| Outline Drawing       | <b>0231501398</b>    | Connection Drawing    | <b>8442000085</b>     |

This is an uncontrolled document once printed or downloaded and is subject to change without notice. Date Created:12/01/2022



|   |                    |                    |
|---|--------------------|--------------------|
| DRAWING REVISION<br>B   | REVISION BY<br>VS  | DATE<br>11/07/2018 |
| ECO<br>ECO-0148344  | APPROVED BY<br>SBD | DATE<br>11/07/2018 |
| ECO DESCRIPTION<br><b>MODEL UPDATED</b>   |                    |                    |
| <small>COPYRIGHT REGAL BELOIT AMERICA, INC. ALL RIGHTS RESERVED. PROPRIETARY AND CONFIDENTIAL INFORMATION - THIS DOCUMENT IS THE PROPERTY OF REGAL BELOIT AMERICA, INC. ("OWNER") AND CONTAINS OWNER'S PROPRIETARY INFORMATION. ANY PERSON, CORPORATION OR OTHER FIRM RECEIVING IT IS DEEMED, BY RECEIVING IT, TO AGREE THAT IT, AND/OR ANY PART OF IT, SHALL NOT BE DISCLOSED TO ANY PERSON, CORPORATION OR OTHER ENTITY, DUPLICATED, AND/OR USED, EXCEPT AS EXPRESSLY APPROVED IN WRITING IN ADVANCE BY OWNER. THIS DOCUMENT SHALL BE RETURNED TO OWNER UPON REQUEST. IT MAY BE SUBJECT TO CERTAIN RESTRICTIONS UNDER APPLICABLE EXPORT CONTROL LAWS AND REGULATIONS.</small> |                    |                    |

|                        |                                     |                              |
|------------------------|-------------------------------------|------------------------------|
| DRAWN BY<br>GSR        |                                     |                              |
| DATE<br>15/11/2017     |                                     |                              |
| APPROVED BY<br>JAY     | DESCRIPTION<br><b>OUTLINE</b>       |                              |
| DATE<br>15/11/2017     | 315S/M 4-8P B35 MTG. TCA/QCA-RHS TB |                              |
| REFERENCE              | MATERIAL                            | PROCESS/FINISH               |
| THIRD ANGLE PROJECTION | SIZE<br>B                           | DRAWING NUMBER<br>0231501398 |
|                        |                                     | SHEET<br>1 OF 1              |

COPYRIGHT REGAL BELOIT AMERICA, INC. ALL RIGHTS RESERVED. UNAUTHORIZED REPRODUCTION OR DISTRIBUTION OF THIS DOCUMENT IS PROHIBITED. REGAL BELOIT AMERICA, INC. ("OWNER") AND CONTAINS OWNER'S PROPRIETARY INFORMATION. ANY PERSON, CORPORATION OR OTHER FIRM RECEIVING IT IS DEEMED, BY RECEIVING IT, TO AGREE THAT IT, AND/OR ANY PART OF IT, SHALL NOT BE DISCLOSED TO ANY PERSON, CORPORATION OR OTHER ENTITY, DUPLICATED, AND/OR USED, EXCEPT AS EXPRESSLY APPROVED IN WRITING IN ADVANCE BY OWNER. THIS DOCUMENT SHALL BE RETURNED TO OWNER UPON REQUEST. IT MAY BE SUBJECT TO CERTAIN RESTRICTIONS UNDER APPLICABLE EXPORT CONTROL LAWS AND REGULATIONS.

|   |                           |                           |
|---|---------------------------|---------------------------|
| DRAWING REVISION<br><b>A</b>                  | REVISION BY<br><b>SN</b>  | DATE<br><b>13/01/2017</b> |
| ECO<br><b>ECO-0116390</b>                     | APPROVED BY<br><b>SBD</b> | DATE<br><b>13/01/2017</b> |
| ECO DESCRIPTION<br><b>NEW DRAWING RELEASE</b> |                           |                           |

| GEOMETRIC TOLERANCE |         |      |
|---------------------|---------|------|
| LINEAR DIM          | >0~6    | ±0.1 |
|                     | >6~30   | ±0.2 |
|                     | >30~120 | ±0.3 |



**NOTES:**

1. PRESSURE-SENSITIVE ADHESIVE COATED PAPER ON THE BACK OF SELF-ADHESIVE.
2. AT THE END OF YELLOW, WORDS, SYMBOLS, LETTERS ARE BLACK, BORDER IS BLACK.
3. THE TOLERANCE OF THE LINEAR SIZE OF THE TOLERANCE WITHOUT THE TOLERANCE BY THE TABLE.

8WD.442.2017



|                       |  |  |  |                        |
|-----------------------|--|--|--|------------------------|
| DRAWN BY<br><b>SN</b> | DATE<br><b>16/12/2016</b>  |  |  <b>Regal Beloit America, Inc.</b> |                        |
|                       | APPROVED BY<br><b>SBD</b>  | DESCRIPTION<br><b>CONN DIAGRAM-NAMEPLATE</b> |  |                        |
|                       | DATE<br><b>16/12/2016</b>  | REFERENCE                                    | MATERIAL   | PROCESS/FINISH         |
|                       | THIRD ANGLE PROJECTION  | SIZE<br><b>A</b>                             | DRAWING NUMBER<br><b>8442000085</b>  | SHEET<br><b>1 OF 1</b> |