

PRODUCT INFORMATION PACKET

Model No: R552M2

Catalog No: R552M2

Elevator Duty Motor, 40.0 HP, 3 Ph, 60 Hz, 200 V, 1800 RPM, S286T Frame, DP



Regal and are trademarks of Regal Rexnord Corporation or one of its affiliated companies.
©2022 Regal Rexnord Corporation, All Rights Reserved. MC017097E

Nameplate Specifications

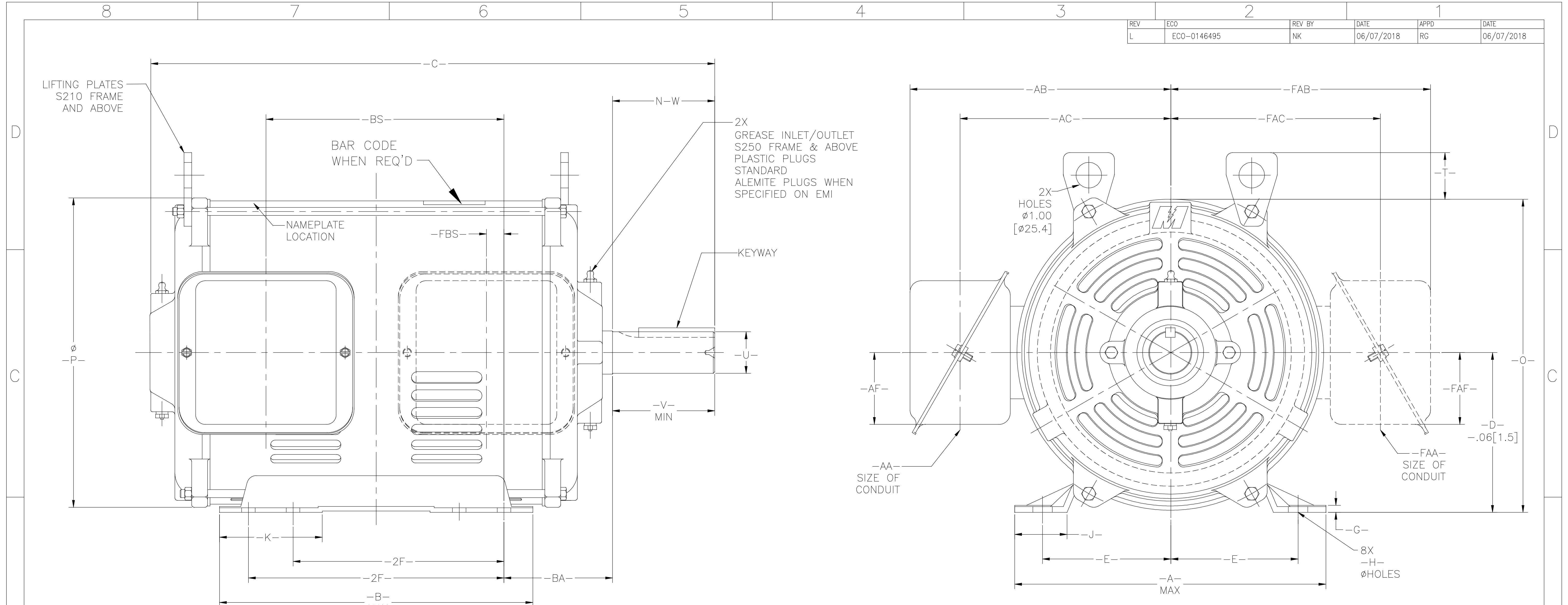
Output HP	40.0 Hp	Output KW	29.8 kW
Frequency	60 Hz	Voltage	200 V
Current	113.0 A	Speed	1750 rpm
Service Factor	1	Phase	3
Duty	30 Minute	Insulation Class	F
Frame	S286T	Enclosure	Drip Proof
Thermal Protection	No Protection	Ambient Temperature	40 °C
UL	Recognized	CSA	Y
CE	N	Number of Speeds	1

Technical Specifications

Electrical Type	Three Phase	Starting Method	Across The Line
Poles	4	Rotation	Reversible Counterclockwise
Mounting	Rigid Base	Drive End Bearing	Ball
Opp Drive End Bearing	Ball	Frame Material	Rolled Steel
Shaft Type	Keyed	Overall Length	24.22 in
Frame Length	14.00 in	Shaft Diameter	1.875 in
Shaft Extension	5.09 in		
Connection Drawing	80022817.PCX	Outline Drawing	80009201-S01

This is an uncontrolled document once printed or downloaded and is subject to change without notice. Date Created:09/07/2022

REV	ECO	REV BY	DATE	APPD	DATE
L	ECO-0146495	NK	06/07/2018	RG	06/07/2018



FRAME	TERMINAL BOX F1 MTG					TERMINAL BOX F2 MTG					-BA-									
	-AA-	-AB-	-AC-	-AF-	-BS-	-FAA-	-FAB-	-FAC-	-FAF-	-FBS-										
S180	3/4	7.63	193.8	5.94	150.8	2.50	63.5	4.94	125.4	3/4	7.00	177.8	5.63	143.0	2.16	54.8	0.56	14.2	2.75	69.8
S210	1	7.63	193.8	5.94	150.8	2.50	63.5	7.38	187.4	1	7.00	177.8	5.63	143.0	2.16	54.8	0.19	4.8	3.50	88.9
S250	1-1/4	10.19	258.8	8.16	207.3	2.81	71.4	9.32	236.7	1-1/4	10.19	258.8	8.25	209.6	2.85	72.4	0.68	72.3	4.25	107.9
G250	1-1/4	10.19	258.8	8.16	207.3	2.81	71.4	11.07	281.2	1-1/4	10.19	258.8	8.25	209.6	2.85	72.4	0.68	72.3	4.25	107.9
S280	1-1/2	10.19	258.8	8.16	207.3	2.81	71.4	10.32	262.1	1-1/2	10.19	258.8	8.25	209.6	2.85	72.4	0.68	72.3	4.75	120.6

-U- DIM.	TOL. ON -U- DIM.	SHAFT RUNOUT
UP TO 1.500 [38.1]	+0.000 [+0.000] -0.005 [-0.012]	UP TO 1.625 [41.2] .002 [0.05]
OVER 1.500 [38.1]	+0.00 [-0.01] -0.03 [-0.03]	OVER 1.625 [41.2] .003 [0.08]

CERTIFICATION OF A.C. MOTORS
 CERTIFIED FOR CERTIFICATION
 SPEC. NO. NO. ORDER NO. NO.
 ORDER I.D. I.D. NO. EMI EMI
 TYPE TYPE FRAME FRAME H.P. H.P.
 R.P.M. RPM VOLTS VOLTS PHASE PHASE
 HERTZ HERTZ AMPS AMPS CODE -
 REMARKS REMARKS
 REMARKS2
 APPROVED BY APPROVED BY DATE: DATE

FRAME	KEYWAY			-A-	-B-	-C-	-D-	-E-	-2F-	-G-	-H-	-J-	-K-	N-W	-O-	-P-	-T-	-U-	-V-																			
	WIDTH	DEPTH	LENGTH																																			
S182T	0.250	6.35	0.125	3.17	2.50	63.5	9.00	228.6	7.75	196.6	13.65	346.7	4.500	114.3	3.750	95.2	4.500	114.3	0.164	4.16	.406	10.31	1.48	37.6	2.93	74.4	2.75	69.9	8.78	223.0	8.53	216.6	-----	1.125	28.57	2.75	69.8	
S184T	0.250	6.35	0.125	3.17	2.50	63.5	9.00	228.6	7.75	196.6	13.65	346.7	4.500	114.3	3.750	95.2	5.500	139.7	0.164	4.16	.406	10.31	1.48	37.6	2.93	74.4	2.75	69.9	8.78	223.0	8.53	216.6	-----	1.125	28.57	2.75	69.8	
S213T	0.312	7.92	0.156	3.96	3.13	79.5	10.00	254	10.75	273.0	17.28	438.9	5.250	133.35	4.250	107.95	5.500	139.7	0.180	4.57	.406	10.31	1.58	40.1	3.43	87.1	3.38	85.8	9.53	242.0	8.57	217.6	1.77	44.9	1.375	34.9	3.25	82.5
S215T	0.312	7.92	0.156	3.96	3.13	79.5	10.00	254	10.75	273.0	17.28	438.9	5.250	133.35	4.250	107.95	7.000	177.8	0.180	4.57	.406	10.31	1.58	40.1	3.43	87.1	3.38	85.8	9.53	242.0	8.57	217.6	1.77	44.9	1.375	34.9	3.25	82.5
S254T	0.375	9.52	0.188	4.77	3.75	95.3	12.18	309.4	12.25	311.6	22.12	561.8	6.250	158.75	5.000	127	8.250	209.55	0.194	4.92	.531	13.48	2.06	52.3	4.06	103.1	4.00	101.6	12.25	311.1	12.00	304.8	1.82	46.2	1.625	41.2	3.88	98.5
G256T	0.375	9.52	0.188	4.77	3.75	95.3	12.18	309.4	12.25	311.6	23.85	605.8	6.250	158.75	5.000	127	8.250	209.55	0.194	4.92	.531	13.48	2.06	52.3	4.06	103.1	4.00	101.6	12.25	311.1	12.00	304.8	1.82	46.2	1.625	41.2	3.88	98.5
S256T	0.375	9.52	0.188	4.77	3.75	95.3	12.18	309.4	12.25	311.6	22.12	561.8	6.250	158.75	5.000	127	10.000	254	0.194	4.92	.531	13.48	2.06	52.3	4.06	103.1	4.00	101.6	12.25	311.1	12.00	304.8	1.82	46.2	1.625	41.2	3.88	98.5
S284T	0.500	12.7	0.250	6.35	4.38	111.2	12.75	323.8	13.25	336.5	24.25	615.9	7.000	177.8	5.500	139.7	9.500	241.3	0.194	4.92	.531	13.48	1.81	45.9	3.81	96.8	4.62	117.3	13.00	330.2	12.00	304.8	1.82	46.2	1.875	47.6	4.50	114.3
S284TS	0.375	9.52	0.188	4.77	3.00	76.2	12.75	323.8	13.25	336.5	22.88	581.2	7.000	177.8	5.500	139.7	9.500	241.3	0.194	4.92	.531	13.48	1.81	45.9	3.81	96.8	3.25	82.5	13.00	330.2	12.00	304.8	1.82	46.2	1.625	41.2	3.12	79.2
S286T	0.500	12.7	0.250	6.35	4.38	111.2	12.75	323.8	13.25	336.5	24.25	615.9	7.000	177.8	5.500	139.7	11.000	279.4	0.194	4.92	.531	13.48	1.81	45.9	3.81	96.8	4.62	117.3	13.00	330.2	12.00	304.8	1.82	46.2	1.875	47.6	4.50	114.3
S286TS	0.375	9.52	0.188	4.77	3.00	76.2	12.75	323.8	13.25	336.5	22.88	581.2	7.000	177.8	5.500	139.7	11.000	279.4	0.194	4.92	.531	13.48	1.81	45.9	3.81	96.8	3.25	82.5	13.00	330.2	12.00	304.8	1.82	46.2	1.625	41.2	3.12	79.2

800114
800112
ENG. REF.

GEOMETRIC CHARACTERISTICS & SYMBOLS ▽ FLATNESS - STRAIGHTNESS ∠ ANGULARITY ⊥ PERPENDICULARITY (SQUARENESS) // PARALLELISM ○ ROUNDNESS (CIRCULARITY) ⊙ CYLINDRICITY △ PROFILE OF ANY SURFACE ⊖ PROFILE OF ANY LINE ↗ RUNOUT ⊕ TRUE POSITION ⊙ CONCENTRICITY = SYMMETRY	UNLESS OTHERWISE SPECIFIED DIM. TOLERANCES ARE AS FOLLOWS: INCH X XX XXX XXXX INCH ±.1 ±.02 ±.005 ±.0005 mm ±0.5 ±0.13 ±0.013 ANG. ±50 DEG REMOVE BURRS & BREAK SHARP EDGES: INCH .003-.015 mm 0.1-0.4 CORNER FILLETS TO: INCH .020 mm 0.5 MACHINE SURFACES: INCH 125/ mm 3.2	DR BY: SBC	04-25-1995	REGAL REGAL-BELOIT CORPORATION DESCRIPTION MOT-S180/S280 F1/F2 STDT SIZE D DWG NO 80009201 SCALE NONE SHEET 1
		APPD: MAS	04-25-1994	
		THIRD ANGLE PROJECTION	EDS DATE 11-11-2011 FORMAT REV H	

CONFIDENTIAL: THIS DRAWING AND ITS INFORMATION ARE THE EXCLUSIVE AND CONFIDENTIAL PROPERTY OF REGAL-BELOIT CORPORATION AND ARE NOT TO BE DISCLOSED, DUPLICATED, DISTRIBUTED OR OTHERWISE USED WITHOUT THE WRITTEN CONSENT OF REGAL-BELOIT CORPORATION. -ALL RIGHTS RESERVED.