

PRODUCT INFORMATION PACKET

Model No: R551M2

Catalog No: R551M2

Elevator Duty Motor, 30.0 HP, 3 Ph, 60 Hz, 230/460 V, 1800 RPM, S284T Frame, DP



Regal and are trademarks of Regal Rexnord Corporation or one of its affiliated companies.
©2022 Regal Rexnord Corporation, All Rights Reserved. MC017097E

The logo for Regal Rexnord, featuring a stylized 'R' icon followed by the text 'RegalRexnord'.

Nameplate Specifications

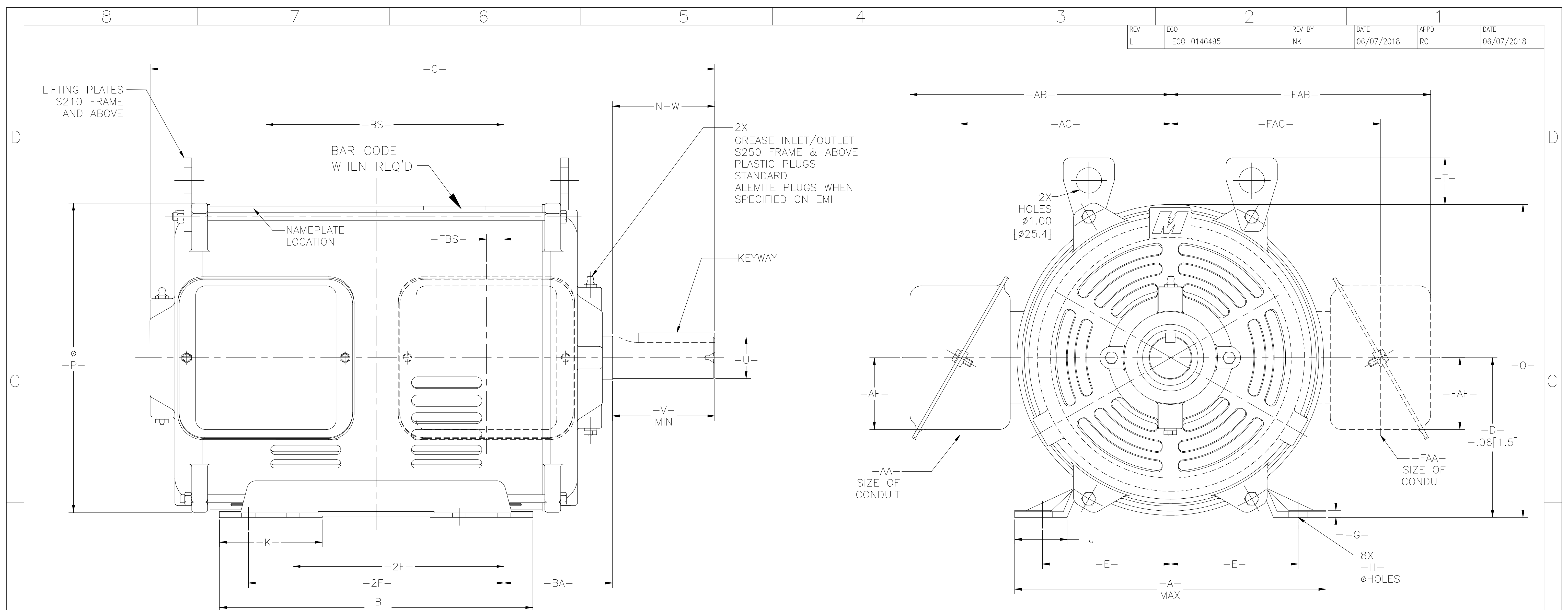
Output HP	30.0 Hp	Output KW	22.4 kW
Frequency	60 Hz	Voltage	230/460 V
Current	74.0/37.0 A	Speed	1750 rpm
Service Factor	1	Phase	3
Duty	30 Minute	Insulation Class	F
Frame	S284T	Enclosure	Drip Proof
Thermal Protection	No Protection	Ambient Temperature	40 °C
UL	Recognized	CSA	Y
CE	N	Number of Speeds	1

Technical Specifications

Electrical Type	Three Phase	Starting Method	Across The Line
Poles	4	Rotation	Reversible Counterclockwise
Mounting	Rigid Base	Drive End Bearing	Ball
Opp Drive End Bearing	Ball	Frame Material	Rolled Steel
Shaft Type	Keyed	Overall Length	24.22 in
Frame Length	14.00 in	Shaft Diameter	1.875 in
Shaft Extension	5.09 in		
Outline Drawing	80009201-S01	Connection Drawing	80022815.PCX

This is an uncontrolled document once printed or downloaded and is subject to change without notice. Date Created:09/07/2022

REV	ECO	REV BY	DATE	APPD	DATE
L	ECO-0146495	NK	06/07/2018	RG	06/07/2018



FRAME	TERMINAL BOX F1 MTG					TERMINAL BOX F2 MTG					-BA-									
	-AA-	-AB-	-AC-	-AF-	-BS-	-FAA-	-FAB-	-FAC-	-FAF-	-FBS-										
S180	3/4	7.63	193.8	5.94	150.8	2.50	63.5	4.94	125.4	3/4	7.00	177.8	5.63	143.0	2.16	54.8	0.56	14.2	2.75	69.8
S210	1	7.63	193.8	5.94	150.8	2.50	63.5	7.38	187.4	1	7.00	177.8	5.63	143.0	2.16	54.8	0.19	4.8	3.50	88.9
S250	1-1/4	10.19	258.8	8.16	207.3	2.81	71.4	9.32	236.7	1-1/4	10.19	258.8	8.25	209.6	2.85	72.4	0.68	72.3	4.25	107.9
G250	1-1/4	10.19	258.8	8.16	207.3	2.81	71.4	11.07	281.2	1-1/4	10.19	258.8	8.25	209.6	2.85	72.4	0.68	72.3	4.25	107.9
S280	1-1/2	10.19	258.8	8.16	207.3	2.81	71.4	10.32	262.1	1-1/2	10.19	258.8	8.25	209.6	2.85	72.4	0.68	72.3	4.75	120.6

-U- DIM.	TOL. ON -U- DIM.	SHAFT RUNOUT
UP TO 1.500 [38.1]	+0.000 [+0.000] -0.005 [-0.012]	UP TO 1.625 [41.2] .002 [0.05]
OVER 1.500 [38.1]	+0.00 [-0.01] -0.03 [-0.03]	OVER 1.625 [41.2] .003 [0.08]

CERTIFICATION OF A.C. MOTORS
 CERTIFIED FOR _____ CERTIFICATION
 SPEC. NO. NO. ORDER NO. _____ NO.
 ORDER I.D. I.D. NO. EMI EMI
 TYPE TYPE FRAME FRAME H.P. H.P.
 R.P.M. RPM VOLTS VOLTS PHASE PHASE
 HERTZ HERTZ AMPS AMPS CODE -
 REMARKS _____ REMARKS
 APPROVED BY _____ APPROVED BY _____ DATE: _____ DATE

FRAME	KEYWAY			-A-	-B-	-C-	-D-	-E-	-2F-	-G-	-H-	-J-	-K-	N-W	-O-	-P-	-T-	-U-	-V-																			
	WIDTH	DEPTH	LENGTH																																			
S182T	0.250	6.35	0.125	3.17	2.50	63.5	9.00	228.6	7.75	196.6	13.65	346.7	4.500	114.3	3.750	95.2	4.500	114.3	0.164	4.16	.406	10.31	1.48	37.6	2.93	74.4	2.75	69.9	8.78	223.0	8.53	216.6	-----	1.125	28.57	2.75	69.8	
S184T	0.250	6.35	0.125	3.17	2.50	63.5	9.00	228.6	7.75	196.6	13.65	346.7	4.500	114.3	3.750	95.2	5.500	139.7	0.164	4.16	.406	10.31	1.48	37.6	2.93	74.4	2.75	69.9	8.78	223.0	8.53	216.6	-----	1.125	28.57	2.75	69.8	
S213T	0.312	7.92	0.156	3.96	3.13	79.5	10.00	254	10.75	273.0	17.28	438.9	5.250	133.35	4.250	107.95	5.500	139.7	0.180	4.57	.406	10.31	1.58	40.1	3.43	87.1	3.38	85.8	9.53	242.0	8.57	217.6	1.77	44.9	1.375	34.9	3.25	82.5
S215T	0.312	7.92	0.156	3.96	3.13	79.5	10.00	254	10.75	273.0	17.28	438.9	5.250	133.35	4.250	107.95	7.000	177.8	0.180	4.57	.406	10.31	1.58	40.1	3.43	87.1	3.38	85.8	9.53	242.0	8.57	217.6	1.77	44.9	1.375	34.9	3.25	82.5
S254T	0.375	9.52	0.188	4.77	3.75	95.3	12.18	309.4	12.25	311.6	22.12	561.8	6.250	158.75	5.000	127	8.250	209.55	0.194	4.92	.531	13.48	2.06	52.3	4.06	103.1	4.00	101.6	12.25	311.1	12.00	304.8	1.82	46.2	1.625	41.2	3.88	98.5
G256T	0.375	9.52	0.188	4.77	3.75	95.3	12.18	309.4	12.25	311.6	23.85	605.8	6.250	158.75	5.000	127	8.250	209.55	0.194	4.92	.531	13.48	2.06	52.3	4.06	103.1	4.00	101.6	12.25	311.1	12.00	304.8	1.82	46.2	1.625	41.2	3.88	98.5
S256T	0.375	9.52	0.188	4.77	3.75	95.3	12.18	309.4	12.25	311.6	22.12	561.8	6.250	158.75	5.000	127	10.000	254	0.194	4.92	.531	13.48	2.06	52.3	4.06	103.1	4.00	101.6	12.25	311.1	12.00	304.8	1.82	46.2	1.625	41.2	3.88	98.5
S284T	0.500	12.7	0.250	6.35	4.38	111.2	12.75	323.8	13.25	336.5	24.25	615.9	7.000	177.8	5.500	139.7	9.500	241.3	0.194	4.92	.531	13.48	1.81	45.9	3.81	96.8	4.62	117.3	13.00	330.2	12.00	304.8	1.82	46.2	1.875	47.6	4.50	114.3
S284TS	0.375	9.52	0.188	4.77	3.00	76.2	12.75	323.8	13.25	336.5	22.88	581.2	7.000	177.8	5.500	139.7	9.500	241.3	0.194	4.92	.531	13.48	1.81	45.9	3.81	96.8	3.25	82.5	13.00	330.2	12.00	304.8	1.82	46.2	1.625	41.2	3.12	79.2
S286T	0.500	12.7	0.250	6.35	4.38	111.2	12.75	323.8	13.25	336.5	24.25	615.9	7.000	177.8	5.500	139.7	11.000	279.4	0.194	4.92	.531	13.48	1.81	45.9	3.81	96.8	4.62	117.3	13.00	330.2	12.00	304.8	1.82	46.2	1.875	47.6	4.50	114.3
S286TS	0.375	9.52	0.188	4.77	3.00	76.2	12.75	323.8	13.25	336.5	22.88	581.2	7.000	177.8	5.500	139.7	11.000	279.4	0.194	4.92	.531	13.48	1.81	45.9	3.81	96.8	3.25	82.5	13.00	330.2	12.00	304.8	1.82	46.2	1.625	41.2	3.12	79.2

800114
800112
ENG. REF.

GEOMETRIC CHARACTERISTICS & SYMBOLS

- FLATNESS
- STRAIGHTNESS
- ANGULARITY
- PERPENDICULARITY (SQUARENESS)
- PARALLELISM
- ROUNDNESS (CIRCULARITY)
- CYLINDRICITY
- PROFILE OF ANY SURFACE
- PROFILE OF ANY LINE
- RUNOUT
- TRUE POSITION
- CONCENTRICITY
- SYMMETRY

UNLESS OTHERWISE SPECIFIED DIM. TOLERANCES ARE AS FOLLOWS:

INCH ±.1 ±.02 ±.005 ±.0005
 mm ±0.5 ±0.13 ±0.013

ANG. ±50 DEG
 REMOVE BURRS & BREAK SHARP EDGES:
 INCH .003-.015 mm 0.1-0.4
 CORNER FILLETS TO:
 INCH .020 mm 0.5
 MACHINE SURFACES:
 INCH 125/ mm 3/2

DR BY: SBC
 APPD: MAS
 EDS DATE: 04-25-1995
 DATE: 04-25-1994
 11-11-2011
 FORMAT REV: H

THIRD ANGLE PROJECTION

REGAL REGAL-BELOIT CORPORATION

DESCRIPTION: OUTLINE
 MOT-S180/S280 F1/F2 STDT

SIZE: D DWG NO: 80009201

SCALE: NONE SHEET: 1

CONFIDENTIAL: THIS DRAWING AND ITS INFORMATION ARE THE EXCLUSIVE AND CONFIDENTIAL PROPERTY OF REGAL-BELOIT CORPORATION AND ARE NOT TO BE DISCLOSED, DUPLICATED, DISTRIBUTED OR OTHERWISE USED WITHOUT THE WRITTEN CONSENT OF REGAL-BELOIT CORPORATION. ALL RIGHTS RESERVED.

ASME Y14.5M 1994 METRIC DIMS. SHOWN IN [BRACKETS]