

# PRODUCT INFORMATION PACKET



Model No: R344M2  
Catalog No: R344M2  
Elevator Duty Motor, 15 HP, 3 Ph, 60 Hz, 230/460 V, 3600 RPM, 213T Frame, DP



Regal and Century are trademarks of Regal Rexnord Corporation or one of its affiliated companies.  
©2022 Regal Rexnord Corporation, All Rights Reserved. MC017097E





**Nameplate Specifications**

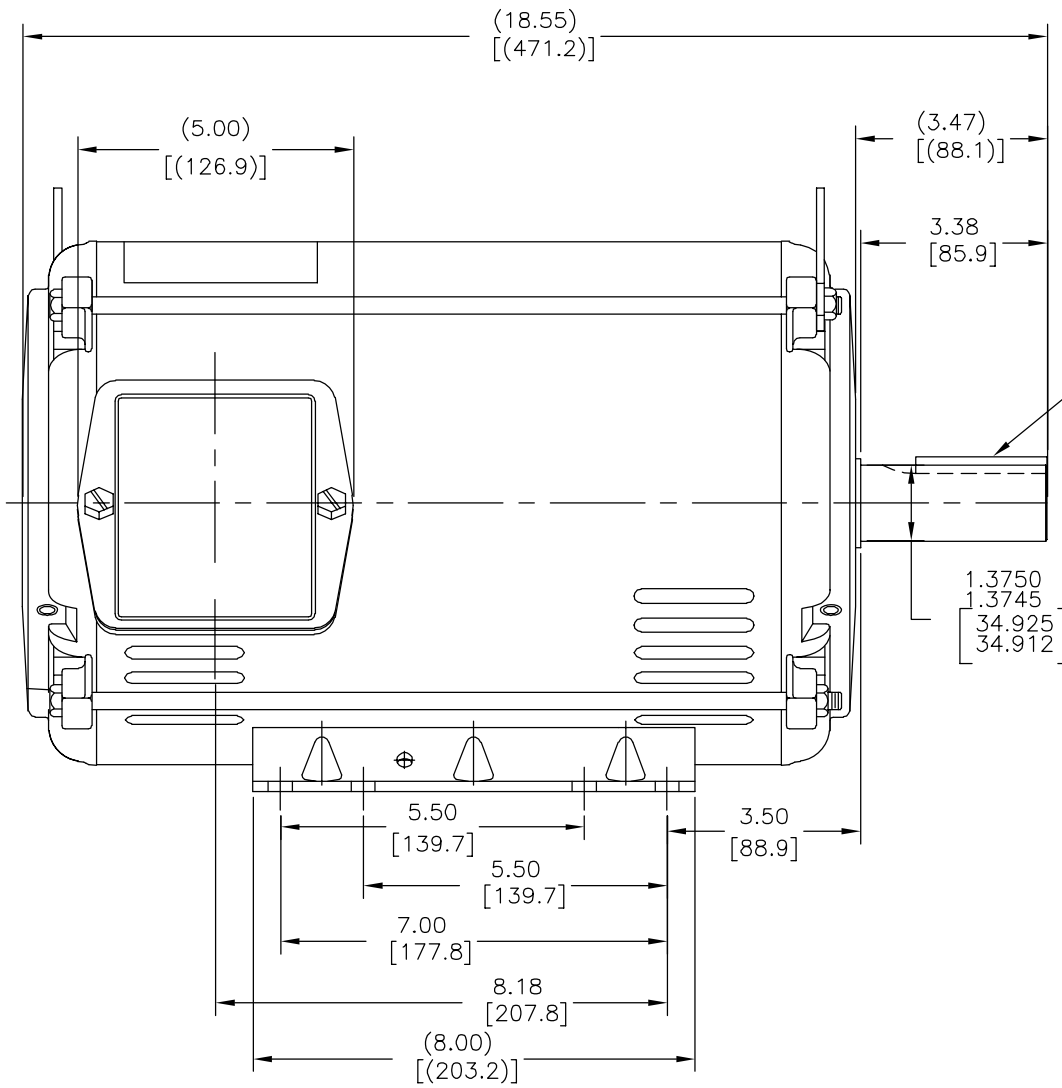
Output HP	15 Hp	Output KW	11.2 kW
Frequency	60 Hz	Voltage	230/460 V
Current	34/17 A	Speed	3510 rpm
Service Factor	1	Phase	3
Duty	30 Minute	Insulation Class	F
Frame	213T	Enclosure	Drip Proof
Thermal Protection	No Protection	Ambient Temperature	40 °C
UL	Recognized	CSA	Y
CE	Y	Number of Speeds	1

**Technical Specifications**

Electrical Type	Polyphase	Starting Method	Across The Line
Poles	2	Rotation	Reversible
Mounting	Rigid Base	Drive End Bearing	Ball
Opp Drive End Bearing	Ball	Frame Material	Rolled Steel
Shaft Type	Keyed	Overall Length	18.55 in
Frame Length	12.40 in	Shaft Diameter	1.375 in
Shaft Extension	3.47 in		
Outline Drawing	SS86500CY-1240-S01	Connection Drawing	A-EE7358-CY

This is an uncontrolled document once printed or downloaded and is subject to change without notice. Date Created:11/29/2022

REV	ECO	REV BY	DATE	APPD	DATE
A	0035621	M.AVILA	07-24-2013	J.ORTEGA	07-24-2013



.31[7.9]X.31[7.9]X  
2.38[60.5]KEY

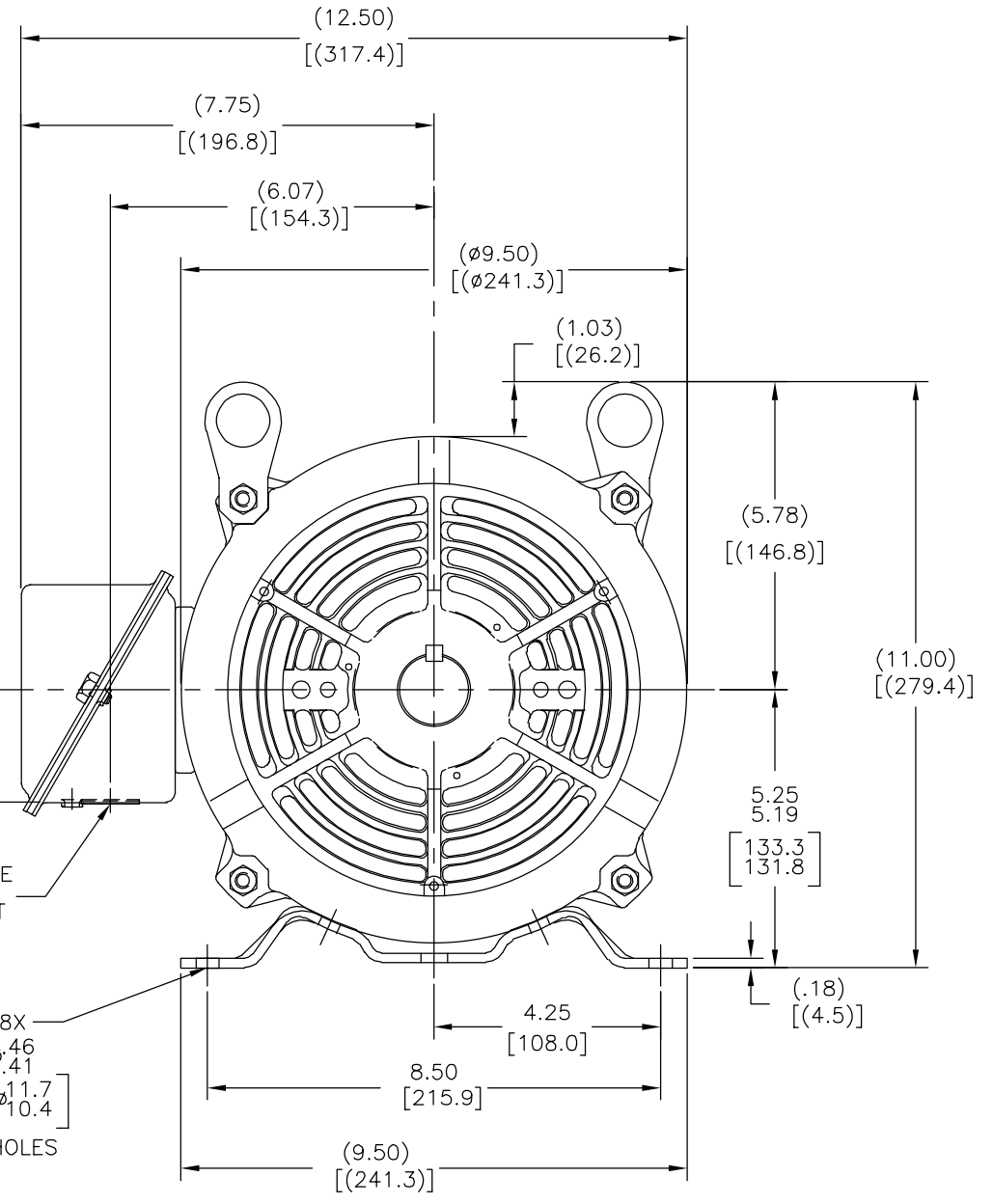
2.12  
[53.7]

ø1.09[ø27.7]LEAD HOLE  
ø1.34[ø34.0]KNOCKOUT

8X  
ø.46  
ø.41  
[ø11.7  
ø10.4]  
HOLES

NOTES:

1. NAMEPLATE TO BE READ FROM C'BOX SIDE OF MOTOR.
2. BOX CAN BE MOUNTED IN 90° STEPS.
3. BOX CAN MOUNTED ON OPPOSITE SIDE BY REMOVING BRACKETS AND TURNING FRAME 180° (EXCEPT AS NOTED)



GEOMETRIC CHARACTERISTICS & SYMBOLS

- ▮ FLATNESS
- STRAIGHTNESS
- ∠ ANGULARITY
- ⊥ PERPENDICULARITY (SQUARENESS)
- // PARALLELISM
- ROUNDNESS (CIRCULARITY)
- ⊘ CYLINDRICITY
- △ PROFILE OF ANY SURFACE
- ∩ PROFILE OF ANY LINE
- ↯ RUNOUT
- ⊕ TRUE POSITION
- ◎ CONCENTRICITY
- ≡ SYMMETRY

ASME Y14.5M 1994

UNLESS OTHERWISE SPECIFIED  
DIM. TOLERANCES ARE AS FOLLOWS:

INCH X XX XXX XXXX  
mm ±0.5 ±0.13 ±0.013

ANG. ±.50 DEG  
REMOVE BURRS & BREAK SHARP EDGES:  
INCH .003-.015 mm 0.1-0.4

CORNER FILLETS TO:  
INCH .020 mm 0.5

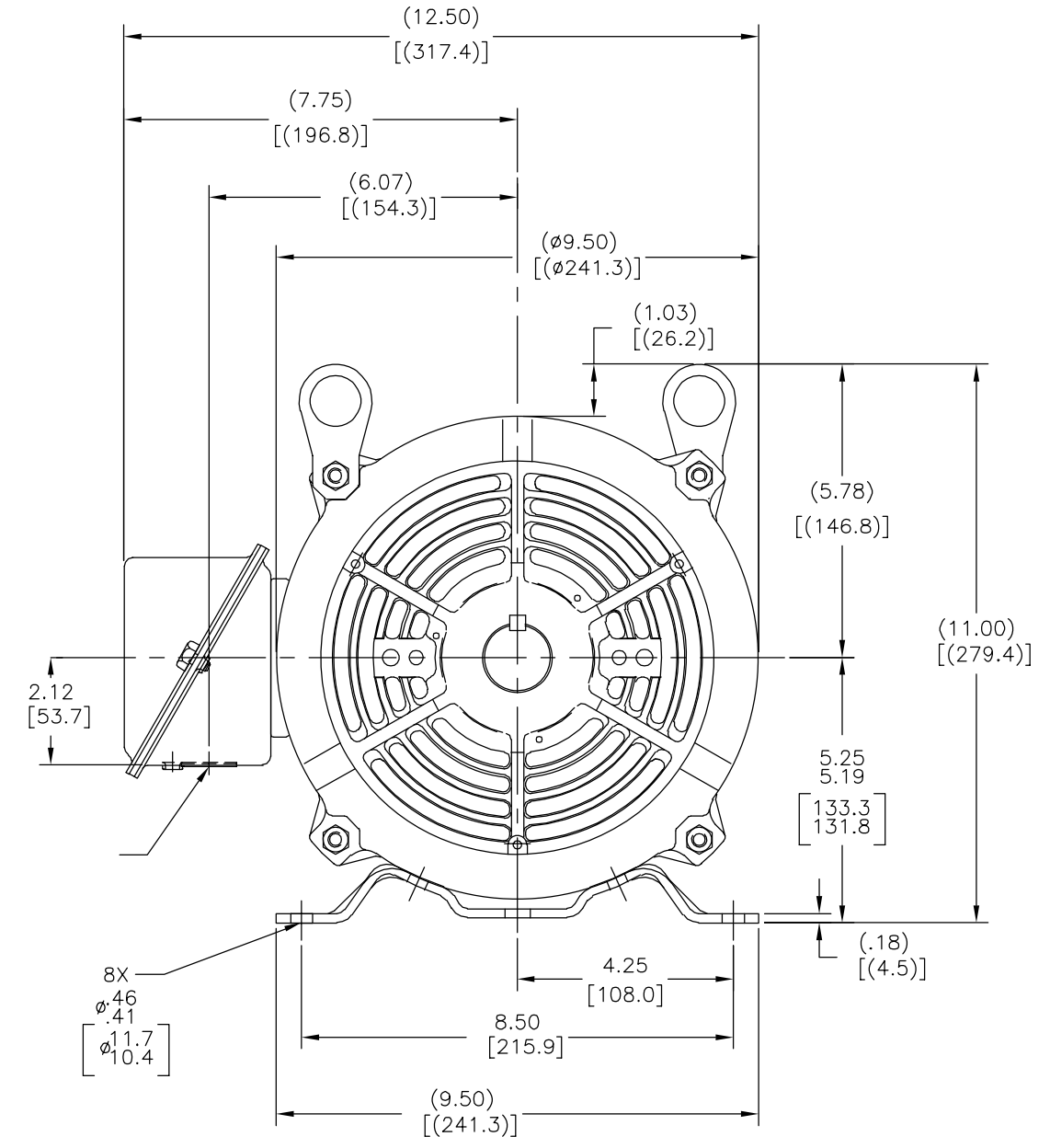
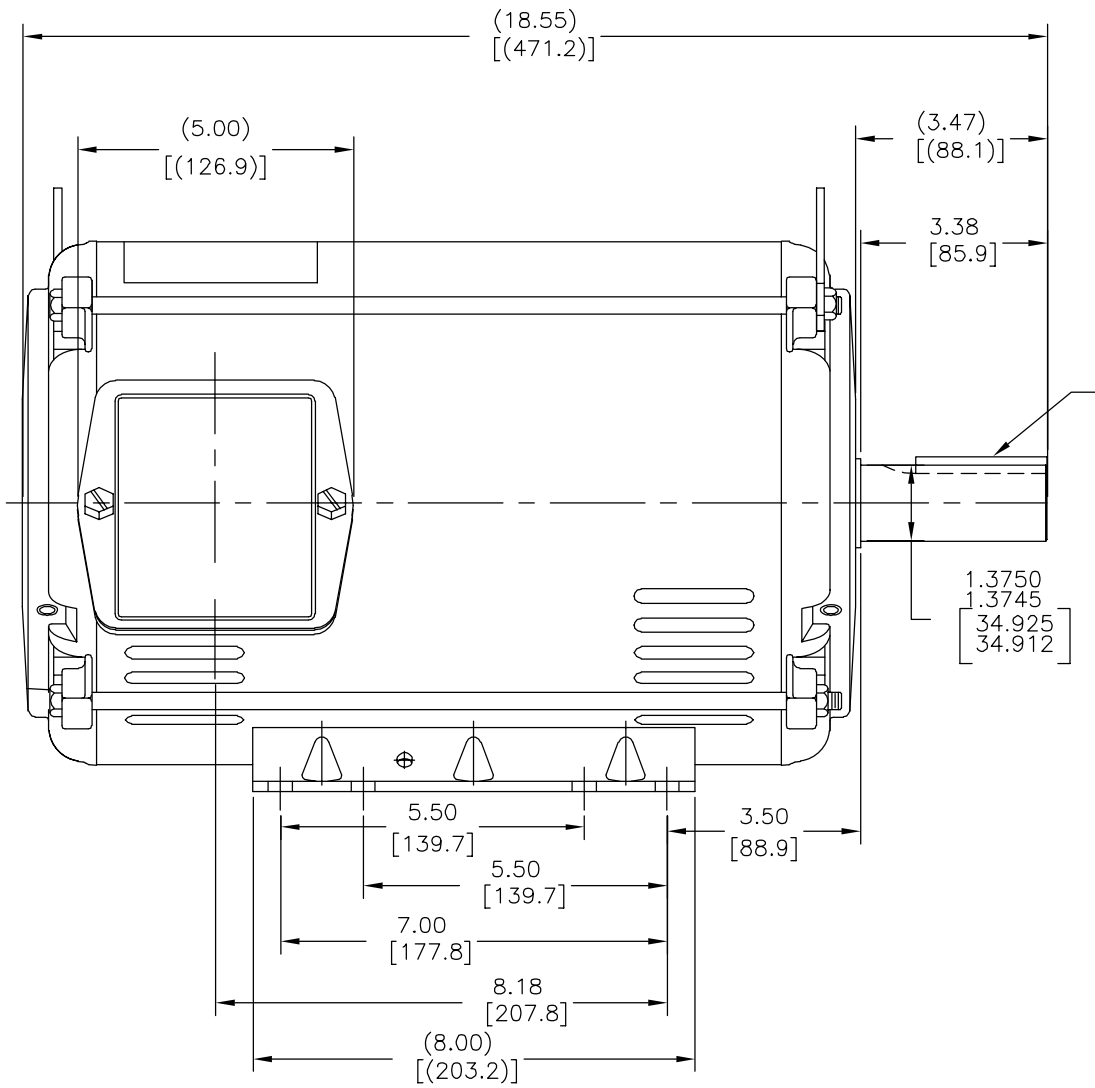
MACHINE SURFACES:  
INCH 125 mm 3.2

METRIC DIMS. SHOWN IN [BRACKETS]

DR BY:	M.AVILA	07-24-2013
APPD:	D.JAMORA	07-24-2013
THIRD ANGLE PROJECTION	EDS DATE 11-11-2011	FORMAT REV H
CONFIDENTIAL: THIS DRAWING AND ITS INFORMATION ARE THE EXCLUSIVE AND CONFIDENTIAL PROPERTY OF REGAL-BELOIT CORPORATION AND ARE NOT TO BE DISCLOSED, DUPLICATED, DISTRIBUTED OR OTHERWISE USED WITHOUT THE WRITTEN CONSENT OF REGAL-BELOIT CORPORATION. -ALL RIGHTS RESERVED.		

<b>REGAL</b> REGAL-BELOIT CORPORATION	
DESCRIPTION OUTLINE	
SIZE C	DWG NO SS86500CY-1240
SCALE NONE	SHEET 1

A	0035621	M.AVILA	07-24-2013	J.ORTEGA	07-24-2013
---	---------	---------	------------	----------	------------



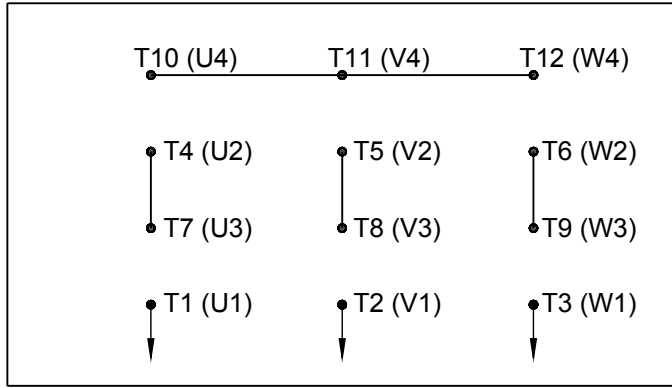
	ASME Y14.5M 1994
--	------------------

M.AVILA	07-24-2013
D.JAMORA	07-24-2013
11-11-2011	
H	

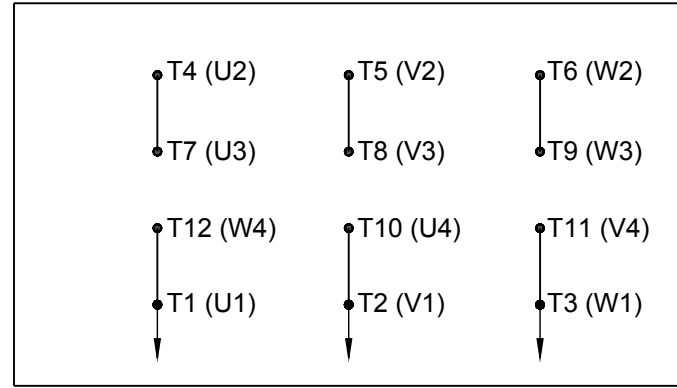
<b>REGAL</b> REGAL-BELOIT CORPORATION	
OUTLINE	
C	SS86500CY-1240
NONE	1

# HIGH VOLTAGE

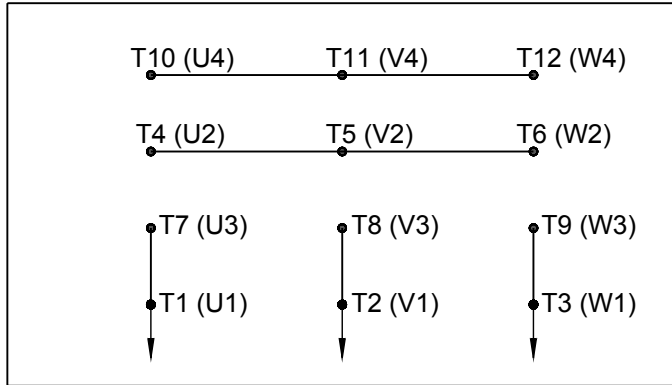
WYE START



DELTA RUN

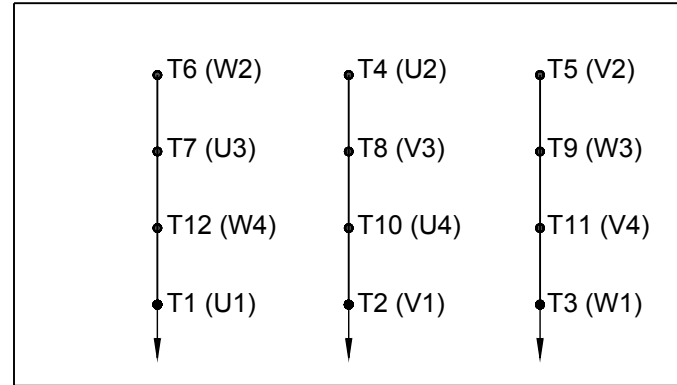


WYE START



# LOW VOLTAGE

DELTA RUN

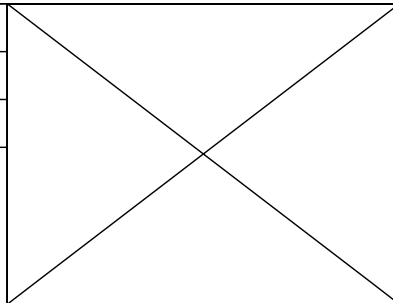


4/2 CKTY  $\triangle$

DRAWING REVISION D	REVISION BY JWO	DATE 01-26-2016
ECO ECO-0092547	APPROVED BY TB	DATE 01-26-2016

ECO DESCRIPTION  
**ADDED IEC MARKINGS**

COPYRIGHT REGAL BELOIT AMERICA, INC. ALL RIGHTS RESERVED. PROPRIETARY AND CONFIDENTIAL INFORMATION - THIS DOCUMENT IS THE PROPERTY OF REGAL BELOIT AMERICA, INC. ("OWNER") AND CONTAINS OWNER'S PROPRIETARY INFORMATION. ANY PERSON, CORPORATION OR OTHER FIRM RECEIVING IT IS DEEMED, BY RECEIVING IT, TO AGREE THAT IT, AND/OR ANY PART OF IT, SHALL NOT BE DISCLOSED TO ANY PERSON, CORPORATION OR OTHER ENTITY, DUPLICATED, AND/OR USED, EXCEPT AS EXPRESSLY APPROVED IN WRITING IN ADVANCE BY OWNER. THIS DOCUMENT SHALL BE RETURNED TO OWNER UPON REQUEST. IT MAY BE SUBJECT TO CERTAIN RESTRICTIONS UNDER APPLICABLE EXPORT CONTROL LAWS AND REGULATIONS.



DRAWN BY BLR		Regal Beloit America, Inc.
DATE 03-09-1998		
APPROVED BY GK	DESCRIPTION <b>CONN DIAGRAM-EXTERNAL</b>	
DATE 03-23-1998	12 LEAD - DUAL VOLT. - WYE START - DELTA RUN	
REFERENCE	MATERIAL	PROCESS/FINISH
THIRD ANGLE PROJECTION	SIZE A	DRAWING NUMBER EE7358

SHEET 1 OF 1	
-----------------	--