

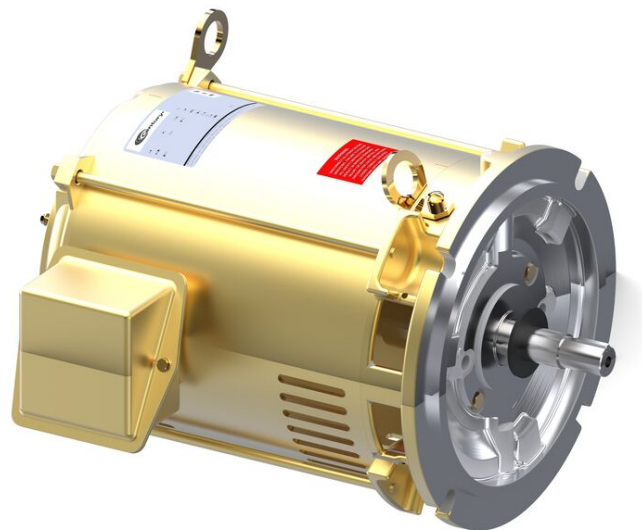
PRODUCT INFORMATION PACKET



Model No: R339M2A

Catalog No: R339M2A

Pool Pump Motor, 15 HP, 3 Ph, 50/60 Hz, 220/440 V, 3000 RPM, 215TDZ Frame, DP



Regal and Century are trademarks of Regal Rexnord Corporation or one of its affiliated companies.

©2023 Regal Rexnord Corporation, All Rights Reserved. MC017097E





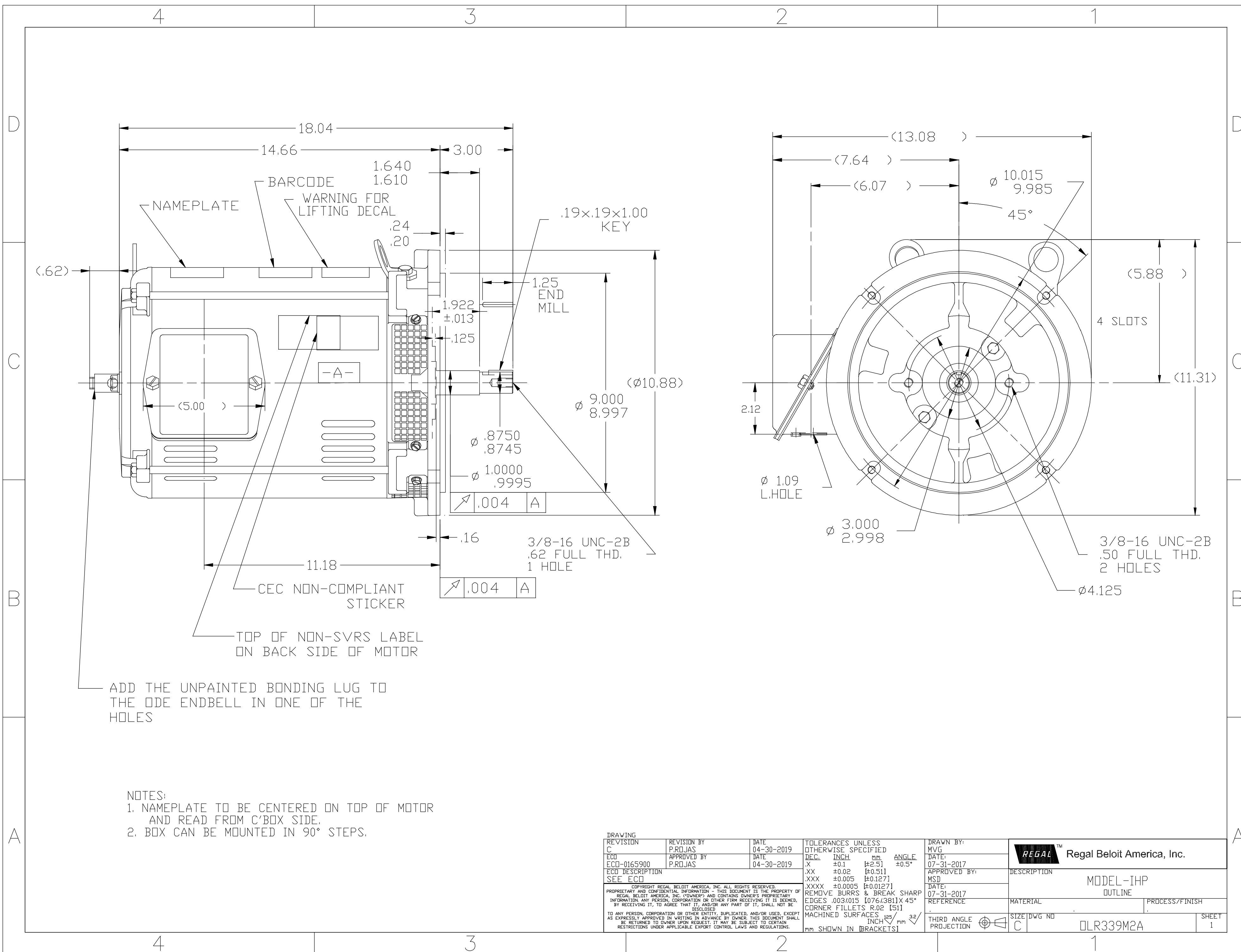
Nameplate Specifications

Output HP	15 Hp	Output KW	11.2 kW
Frequency	50 Hz	Voltage	220/440 V
Current	38/19 A	Speed	3525 rpm
Service Factor	1.15	Phase	3
Efficiency	91 %	Duty	Continuous
Insulation Class	F	Frame	215TDZ
Enclosure	Drip Proof	Thermal Protection	No Protection
Ambient Temperature	40 °C	UL	Recognized
CSA	Y	CE	Y
Number of Speeds	1		

Technical Specifications

Electrical Type	Squirrel Cage Induction Run	Starting Method	Across The Line
Poles	2	Rotation	Reversible
Mounting	Special/Non-Standard	Motor Orientation	Horizontal
Drive End Bearing	Ball	Opp Drive End Bearing	Ball
Frame Material	Rolled Steel	Shaft Type	7/8 Keyed
Overall Length	18.66 in	Frame Length	11.15 in
Shaft Diameter	1.000 in	Shaft Extension	3 in
Outline Drawing	OLR339M2A	Connection Drawing	005010.01

This is an uncontrolled document once printed or downloaded and is subject to change without notice. Date Created:03/23/2023



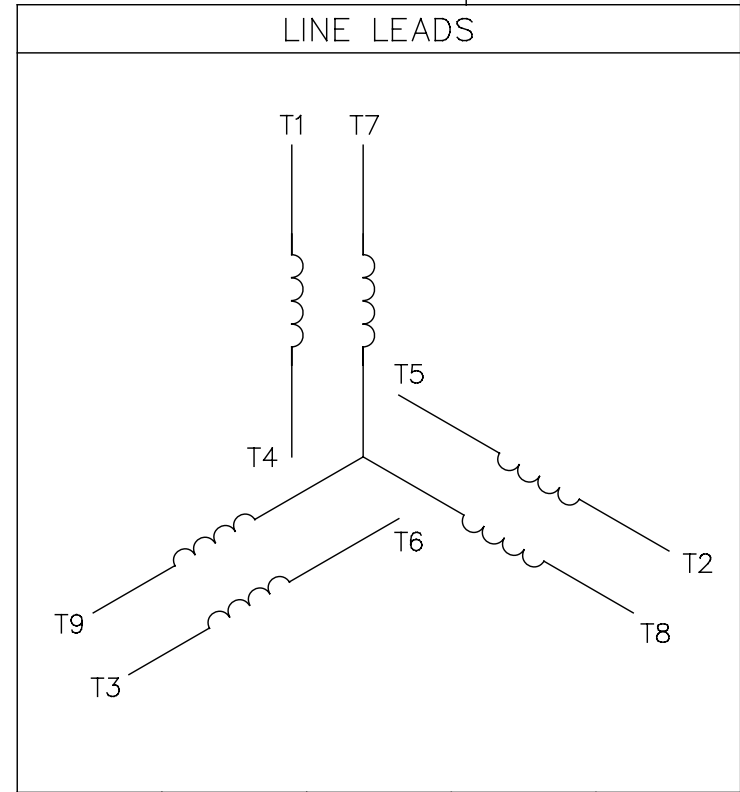
ADD THE UNPAINTED BONDING LUG TO THE ODE ENDBELL IN ONE OF THE HOLES

- NOTES:
 1. NAMEPLATE TO BE CENTERED ON TOP OF MOTOR AND READ FROM C'BOX SIDE.
 2. BOX CAN BE MOUNTED IN 90° STEPS.

DRAWING		REVISION BY		DATE		TOLERANCES UNLESS OTHERWISE SPECIFIED		DRAWN BY:		Regal Beloit America, Inc.	
C		P.RDJAS		04-30-2019		DEC. INCH mm ANGLE		MVG			
EOD		APPROVED BY		DATE		.X ±0.1 [±2.5] ±0.5°		DATE:		DESCRIPTION	
EOD-0165900		P.RDJAS		04-30-2019		.XX ±0.02 [±0.51]		07-31-2017		MODEL -IHP	
EOD DESCRIPTION						.XXX ±0.005 [±0.127]		APPROVED BY:		OUTLINE	
SEE ECD						.XXXX ±0.0005 [±0.0127]		MSD		PROCESS/FINISH	
						REMOVE BURRS & BREAK SHARP EDGES .003/015 [076/381]X 45° CORNER FILLETS R.02 [51]		DATE:		MATERIAL	
						MACHINED SURFACES $\frac{125}{\text{mm}}$ $\frac{32}{\text{inch}}$		07-31-2017		SIZE/DWG NO	
						mm SHOWN IN [BRACKETS]		REFERENCE		C	
								THIRD ANGLE PROJECTION		QLR339M2A	
										SHEET 1	

005010-01

VIEW FROM OUTSIDE OF MOTOR AT SWITCH END.



VOLTAGE	L1	L2	L3	JOIN & INSULATE
HIGH	T1	T2	T3	(T4,T7) (T5,T8) (T6,T9)
LOW	T1,T7	T2,T8	T3,T9	T4,T5,T6

				TOLERANCES UNLESS SPECIFIED		Regal Beloit America, Inc.		DRAWN RDW 04/12/02				
				DEC.	INCHES			CHK				
				.X	±.1			APPD				
				.XX	±.01			SCALE 1=1				
				.XXX	±.005	TITLE		REF FIG.2-51				
A	UPDATED TO REGAL LOGO			SAJ	06/26/15	AJY	.XXXX	±.0005	MAT'L. DECAL - 004014	FMF		
NO.	REVISION			BY & DATE	CHK	ANG	±1/2"	FINISH	PREV			
THIS DRAWING IN DESIGN AND DETAIL IS OUR PROPERTY AND MUST NOT BE USED EXCEPT IN CONNECTION WITH OUR WORK ALL RIGHTS OF DESIGN AND INVENTION ARE RESERVED THIS IS AN ELECTRONICALLY GENERATED DOCUMENT - DO NOT SCALE THIS PRINT				RFP	04/12/02		CAD FILE	00501001		SIZE	DRAWING NO.	REV.
				DIST	BRF-NLV				A	005010-01		A