

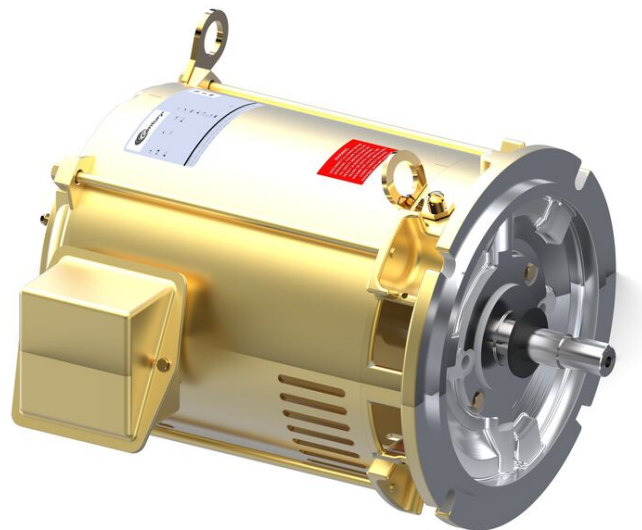
PRODUCT INFORMATION PACKET



Model No: R338M2A

Catalog No: R338M2A

Pool Pump Motor, 10 HP, 3 Ph, 50 Hz, 220/440 V, 3000 RPM, 213TDZ Frame, DP



Regal and Century are trademarks of Regal Rexnord Corporation or one of its affiliated companies.
©2023 Regal Rexnord Corporation, All Rights Reserved. MC017097E





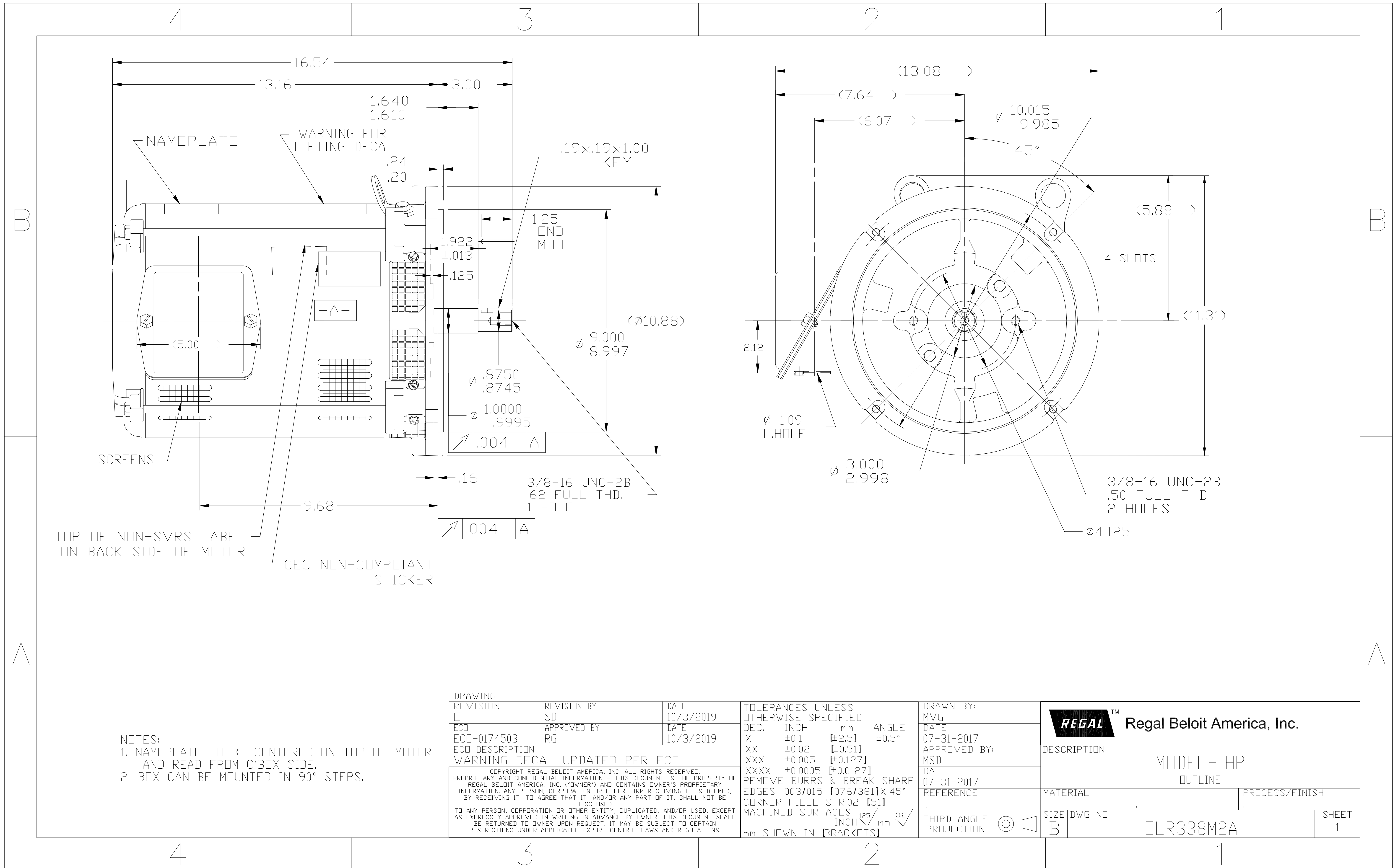
Nameplate Specifications

Output HP	10 Hp	Output KW	7.5 kW
Frequency	50 Hz	Voltage	220/440 V
Current	25.3/12.7 A	Speed	3530 rpm
Service Factor	1.15	Phase	3
Duty	Continuous	Insulation Class	F
Frame	213TDZ	Enclosure	Drip Proof
Thermal Protection	No Protection	Ambient Temperature	40 °C
UL	Recognized	CSA	Y
CE	Y	Number of Speeds	1

Technical Specifications

Electrical Type	Squirrel Cage Induction Run	Starting Method	Across The Line
Poles	2	Rotation	Reversible
Mounting	Special/Non-Standard	Motor Orientation	Horizontal
Drive End Bearing	Ball	Opp Drive End Bearing	Ball
Frame Material	Rolled Steel	Shaft Type	7/8 Keyed
Overall Length	16.54 in	Frame Length	9.65 in
Shaft Diameter	1.000 in	Shaft Extension	3 in
Connection Drawing	005010.01	Outline Drawing	OLR338M2A

This is an uncontrolled document once printed or downloaded and is subject to change without notice. Date Created:01/25/2023



TOP OF NON-SVRS LABEL ON BACK SIDE OF MOTOR

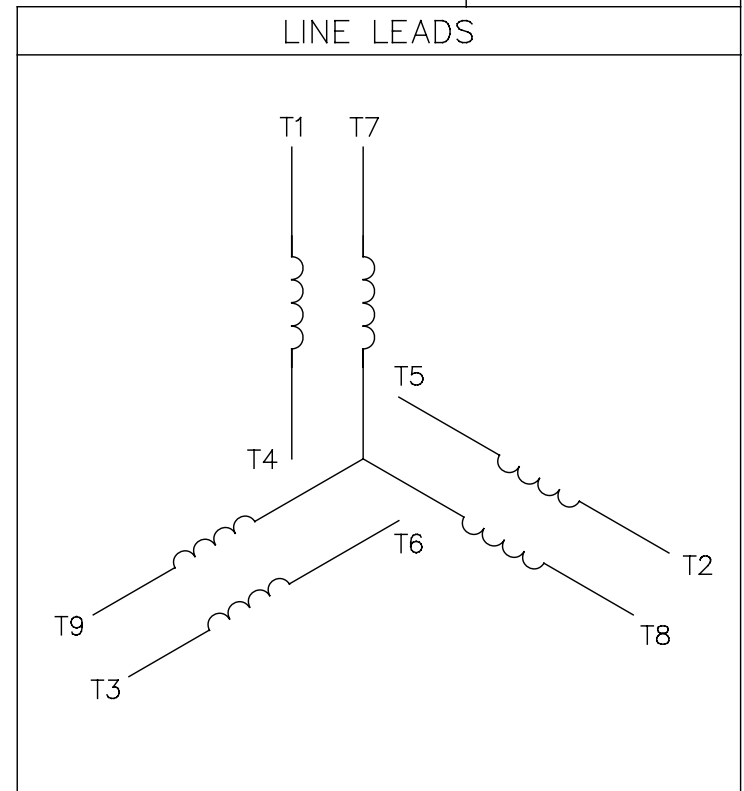
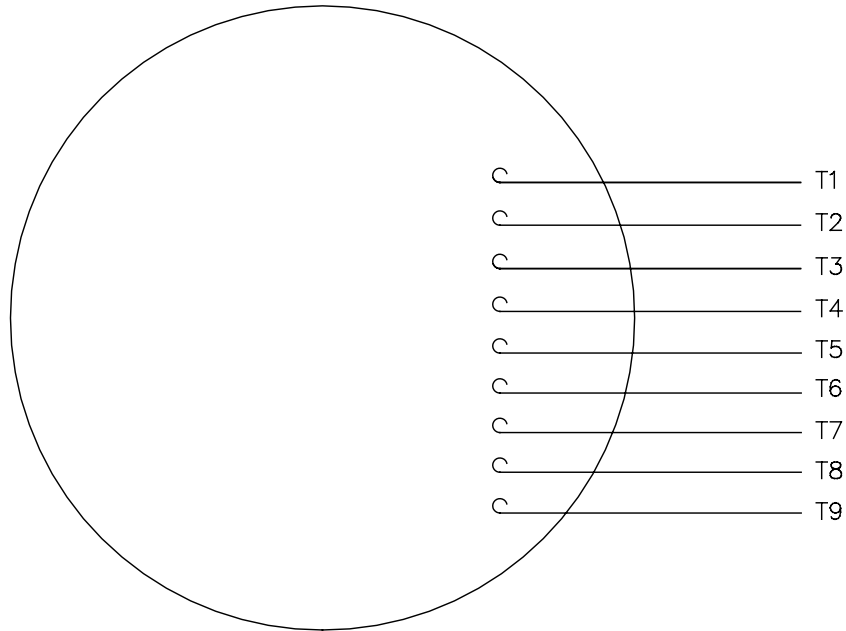
CEC NON-COMPLIANT STICKER

- NOTES:
 1. NAMEPLATE TO BE CENTERED ON TOP OF MOTOR AND READ FROM C'BOX SIDE.
 2. BOX CAN BE MOUNTED IN 90° STEPS.

DRAWING REVISION E		REVISION BY SD	DATE 10/3/2019	TOLERANCES UNLESS OTHERWISE SPECIFIED		DRAWN BY: MVG		Regal Beloit America, Inc.		
ECO-0174503		APPROVED BY RG	DATE 10/3/2019	DEC.	INCH	mm	ANGLE			DATE: 07-31-2017
ECO DESCRIPTION WARNING DECAL UPDATED PER ECO				.X	±0.1	[±2.5]	±0.5°	APPROVED BY: MSD	DESCRIPTION MODEL-IHP OUTLINE	
<small>COPYRIGHT REGAL BELOIT AMERICA, INC. ALL RIGHTS RESERVED. PROPRIETARY AND CONFIDENTIAL INFORMATION - THIS DOCUMENT IS THE PROPERTY OF REGAL BELOIT AMERICA, INC. ("OWNER") AND CONTAINS OWNER'S PROPRIETARY INFORMATION. ANY PERSON, CORPORATION OR OTHER FIRM RECEIVING IT IS DEEMED, BY RECEIVING IT, TO AGREE THAT IT, AND/OR ANY PART OF IT, SHALL NOT BE DISCLOSED.</small> TO ANY PERSON, CORPORATION OR OTHER ENTITY, DUPLICATED, AND/OR USED, EXCEPT AS EXPRESSLY APPROVED IN WRITING IN ADVANCE BY OWNER. THIS DOCUMENT SHALL BE RETURNED TO OWNER UPON REQUEST. IT MAY BE SUBJECT TO CERTAIN RESTRICTIONS UNDER APPLICABLE EXPORT CONTROL LAWS AND REGULATIONS.				.XX	±0.02	[±0.51]		DATE: 07-31-2017		
								.XXX	±0.005	[±0.127]
				.XXXX	±0.0005	[±0.0127]		THIRD ANGLE PROJECTION	SIZE DWG NO B OLR338M2A	SHEET 1

005010-01

VIEW FROM OUTSIDE OF MOTOR AT SWITCH END.



VOLTAGE	L1	L2	L3	JOIN & INSULATE
HIGH	T1	T2	T3	(T4,T7) (T5,T8) (T6,T9)
LOW	T1,T7	T2,T8	T3,T9	T4,T5,T6

				TOLERANCES UNLESS SPECIFIED		REGAL ™ Regal Beloit America, Inc.		DRAWN RDW 04/12/02			
				DEC.	INCHES			CHK			
				.X	±.1			APPD			
				.XX	±.01	TITLE EXTERNAL WIRING DIAGRAM 3 PHASE W/O PROTECTOR		SCALE 1=1			
				.XXX	±.005			REF FIG.2-51			
A	UPDATED TO REGAL LOGO	SAJ 06/26/15	AJY	.XXXX	±.0005	MAT'L DECAL - 004014		FMF			
NO.	REVISION	BY & DATE	CHK	ANG	±1/2"	FINISH		PREV			
THIS DRAWING IN DESIGN AND DETAIL IS OUR PROPERTY AND MUST NOT BE USED EXCEPT IN CONNECTION WITH OUR WORK ALL RIGHTS OF DESIGN AND INVENTION ARE RESERVED THIS IS AN ELECTRONICALLY GENERATED DOCUMENT - DO NOT SCALE THIS PRINT				RFP	04/12/02	CAD FILE		00501001	SIZE	DRAWING NO.	REV.
				DIST		BRF-NLV		A	005010-01	A	



P.O. BOX 8003
 WAUSAU, WI 54401-8003
 PH. 715-675-3311

DATA VOLTS: 460

CERTIFICATION DATA SHEET

CUSTOMER: _____ **CUSTOMER P.O. #:** _____
ORDER #: _____ **REFERENCE MODEL #:** R338M2A
CONN. DIAGRAM: 005010.01 **CAT #:** R338M2A
OUTLINE: OLR338M2A **CUSTOMER PART #:** _____
WINDING: K2132123 NONE 4 **MOUNTING:** F1 ONLY
SPEED: _____ **FAN:** 504205B

TYPICAL MOTOR PERFORMANCE DATA

HP	KW	SYNC RPM	FL RPM	FRAME	ENCLOSURE	TYPE	KVA CODE	DESIGN
10	7.5	3600	3530	213TDZ	DP	TDW	G	B

PH	HZ	VOLTS	AMPS	START TYPE	DUTY	INSL	S.F.	AMB	ELEV.
3	60/50	220/440#190/380	25.3/12.7&22.6/11.3	ACROSS THE LINE	CONT	F	1.15	40	3300

F.L. EFF	90.2	3/4 LD EFF	91.0	1/2 LD EFF	91.0	GTD EFF	ELECT. TYPE
F.L. PF	85.4	3/4 LD PF	80.3	1/2 LD PF	68.9	88.5	SQ CAGE IND RUN

F.L. TORQUE	LR AMPS @ 460 V	L.R. TORQUE	B.D. TORQUE	F.L. RISE (° C)
14.9 LB-FT	82.6	25.0 LB-FT 168%	43.2 LB-FT 290%	47

SOUND PRESSURE	SOUND	ROTOR WK ²	MAX. LOAD WK ²	SAFE STALL TIME	STARTS/HOUR	APROX.
75 dBA	84 dBA	0.45 LB-FT ²	5 LB-FT ²	15 SEC.	2	108 LB.

***** SUPPLEMENTAL INFORMATION *****

DE BRACKET TYPE	ODE BRACKET TYPE	MOUNT TYPE	MOTOR ORIENTATION	SEVERE DUTY	HAZARDOUS LOCATION	DRIP COVER	SCREENS	PAINT
GE AURORA PUMP 2	STANDARD	ROUND	HORIZONTAL	NO	NONE	NO	NONE	GOLD (ENAMEL)

BEARINGS		GREASE	SHAFT TYPE	SPECIAL DE	SPECIAL ODE	SHAFT MATERIAL	FRAME MATERIAL
DE	ODE	POLYREX EM	SGL SPL EXT	PENTAIR 071361TAB	NONE	303 STAINLESS (C-501)	ROLLED STEEL
BALL	BALL						
6208	6206						

THERMOSTATS	PROTECTORS	WDG RTD's	BRG RTD's	THERMISTORS	CONTROL	SPACE HEATERS
NONE	NOT	NONE	NONE	NONE	FALSE	NA

R1 (ohms/ph)	R2 (ohms/ph)	X1 (ohms/ph)	X2 (ohms/ph)	Xm (ohms/ph)	VIBRATION (in/sec)	FLOAT
0.815	0.389	1.998	1.152	44.209	0.150	ODE

* N O T E S *	INVERTER TORQUE: NONE INV. HP SPEED RANGE: NONE					
	ENCODER: NONE NONE NONE					
	BRAKE: NONE NONE NONE					
	FT-LB: NA VOLTAGE: NONE					
	HZ: _____					

PREPARED BY: _____ DATE: 1/5/2023	UL: V-INS, CONST UL REC
--	--------------------------------

FORM: 3531 REV_4 2/27/06