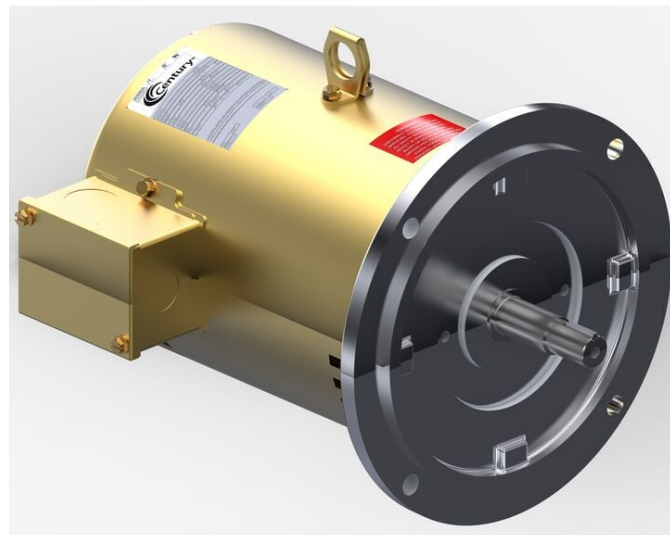


PRODUCT INFORMATION PACKET



Model No: R232M2B
Catalog No: R232M2B
Pool Pump Motor, 7 1/2 HP, 3 Ph, 50 Hz, 220/440 V, 184TDZ Frame, DP



Regal and Century are trademarks of Regal Rexnord Corporation or one of its affiliated companies.
©2023 Regal Rexnord Corporation, All Rights Reserved. MC017097E





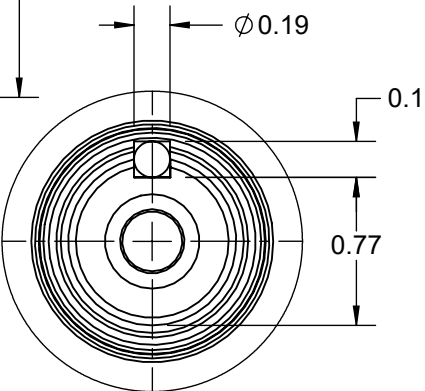
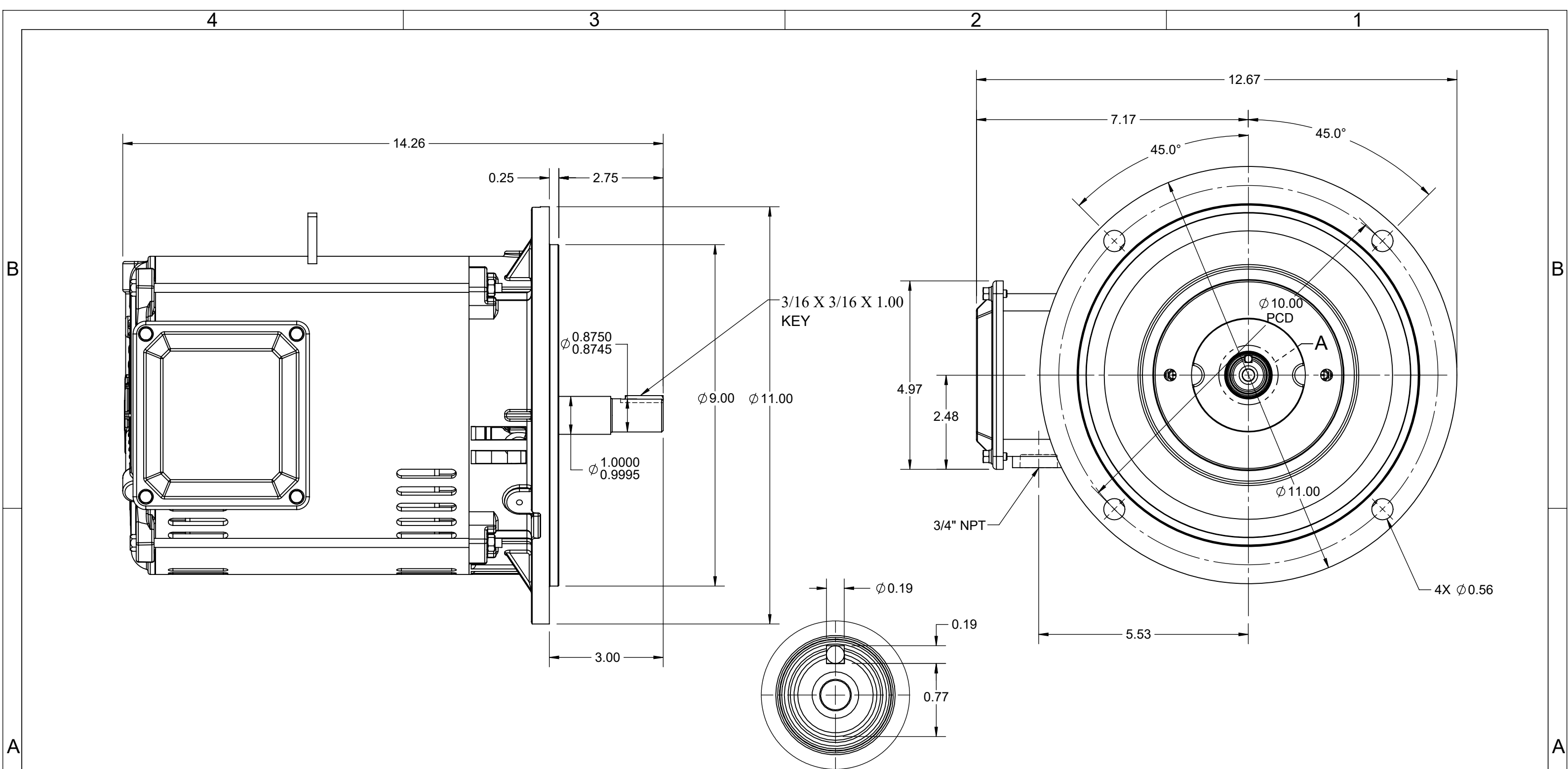
Nameplate Specifications

Phase	3	Output HP	7 1/2 Hp
Output KW	5.6 kW	Voltage	220/440 V
Speed	3490 rpm	Service Factor	1.15
Frame	184TDZ	Enclosure	Drip Proof
Thermal Protection	No Protection	Efficiency	88.5 %
Ambient Temperature	40 °C	Frequency	50 Hz
Current	18.6/9.3 A	Duty	Continuous
Insulation Class	F	UL	Recognized
CSA	Y	CE	Y
Number of Speeds	1		

Technical Specifications

Poles	2	Rotation	Reversible
Mounting	Special/Non-Standard	Drive End Bearing	Ball
Opp Drive End Bearing	Ball	Frame Material	Rolled Steel
Shaft Type	Single Special Extension	Frame Length	8.26 in
Shaft Diameter	1.000 in	Shaft Extension	2.75 in
Outline Drawing	SS600253		

This is an uncontrolled document once printed or downloaded and is subject to change without notice. Date Created:08/16/2023



DETAIL A

DRAWING REVISION A	REVISION BY	REV DATE/© DATE
ECO ECO-0190662	APPROVED BY	DATE
ECO DESCRIPTION		
<p align="center">NEW DRAWING RELEASE</p> <p><small>COPYRIGHT (PER REVISION DATE) REGAL BELOIT AMERICA, INC. ALL RIGHTS RESERVED. PROPRIETARY AND CONFIDENTIAL INFORMATION - THIS DOCUMENT IS THE PROPERTY OF REGAL BELOIT AMERICA, INC. ("OWNER") AND CONTAINS OWNER'S PROPRIETARY INFORMATION. ANY PERSON, CORPORATION OR OTHER FIRM RECEIVING IT IS DEEMED, BY RECEIVING IT, TO AGREE THAT IT, AND/OR ANY PART OF IT, SHALL NOT BE DISCLOSED TO ANY PERSON, CORPORATION OR OTHER ENTITY, DUPLICATED, AND/OR USED, EXCEPT AS EXPRESSLY APPROVED IN WRITING IN ADVANCE BY OWNER. THIS DOCUMENT SHALL BE RETURNED TO OWNER UPON REQUEST. IT MAY BE SUBJECT TO CERTAIN RESTRICTIONS UNDER APPLICABLE EXPORT CONTROL LAWS AND REGULATIONS.</small></p>		

PRIMARY DIMENSIONS ARE INCH
mm DIMENSIONS IN [BRACKETS]
ARE FOR REFERENCE ONLY

DRAWN BY SAS	Regal Beloit America, Inc.	
DATE 07/16/2020		
APPROVED BY JAY	DESCRIPTION	
DATE 7/16/2020	OUTLINE	
REFERENCE	NEMA 182/184TC FR ODP RS - ROUND - FOOTLESS	
THIRD ANGLE PROJECTION	MATERIAL	PROCESS/FINISH
SIZE B	DRAWING NUMBER SS600253	SHEET 1 OF 1