

PRODUCT INFORMATION PACKET



Model No: P325M2

Catalog No: P325M2

Close-Coupled Pump Motor, 7.5 HP, 1 Ph, 60 Hz, 230 V, 3600 RPM, 213JP Frame, ODP



Regal and Century are trademarks of Regal Rexnord Corporation or one of its affiliated companies.

©2022 Regal Rexnord Corporation, All Rights Reserved. MC017097E





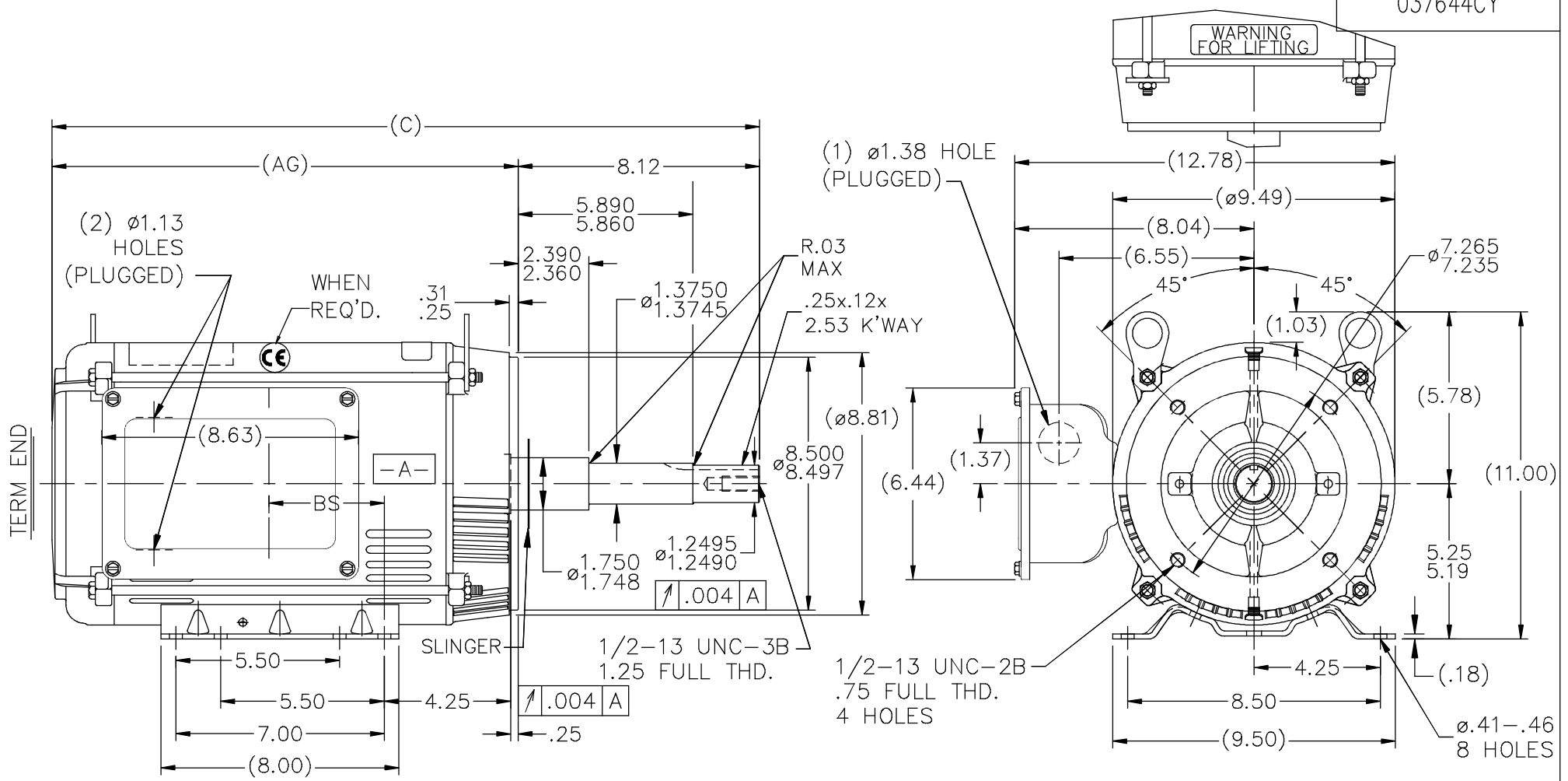
Nameplate Specifications

Output HP	7.5 Hp	Output KW	5.6 kW
Frequency	60 Hz	Voltage	230 V
Current	37 A	Speed	3470 rpm
Service Factor	1.15	Phase	1
Duty	Continuous	Insulation Class	F
Frame	213JP	Enclosure	Open Drip Proof
Thermal Protection	No Protection	Ambient Temperature	40 °C
UL	Recognized	CSA	Y
Number of Speeds	1		

Technical Specifications

Electrical Type	Capacitor Start	Starting Method	Across The Line
Poles	2	Rotation	Counterclockwise
Mounting	Rigid Base	Drive End Bearing	Ball
Opp Drive End Bearing	Ball	Frame Material	Rolled Steel
Shaft Type	Keyed	Overall Length	22.29 in
Frame Length	9.65 in	Shaft Diameter	1.750 in
Shaft Extension	8.43 in		
Outline Drawing	037644CY	Connection Drawing	A-EE7090JR-CY

This is an uncontrolled document once printed or downloaded and is subject to change without notice. Date Created:11/29/2022

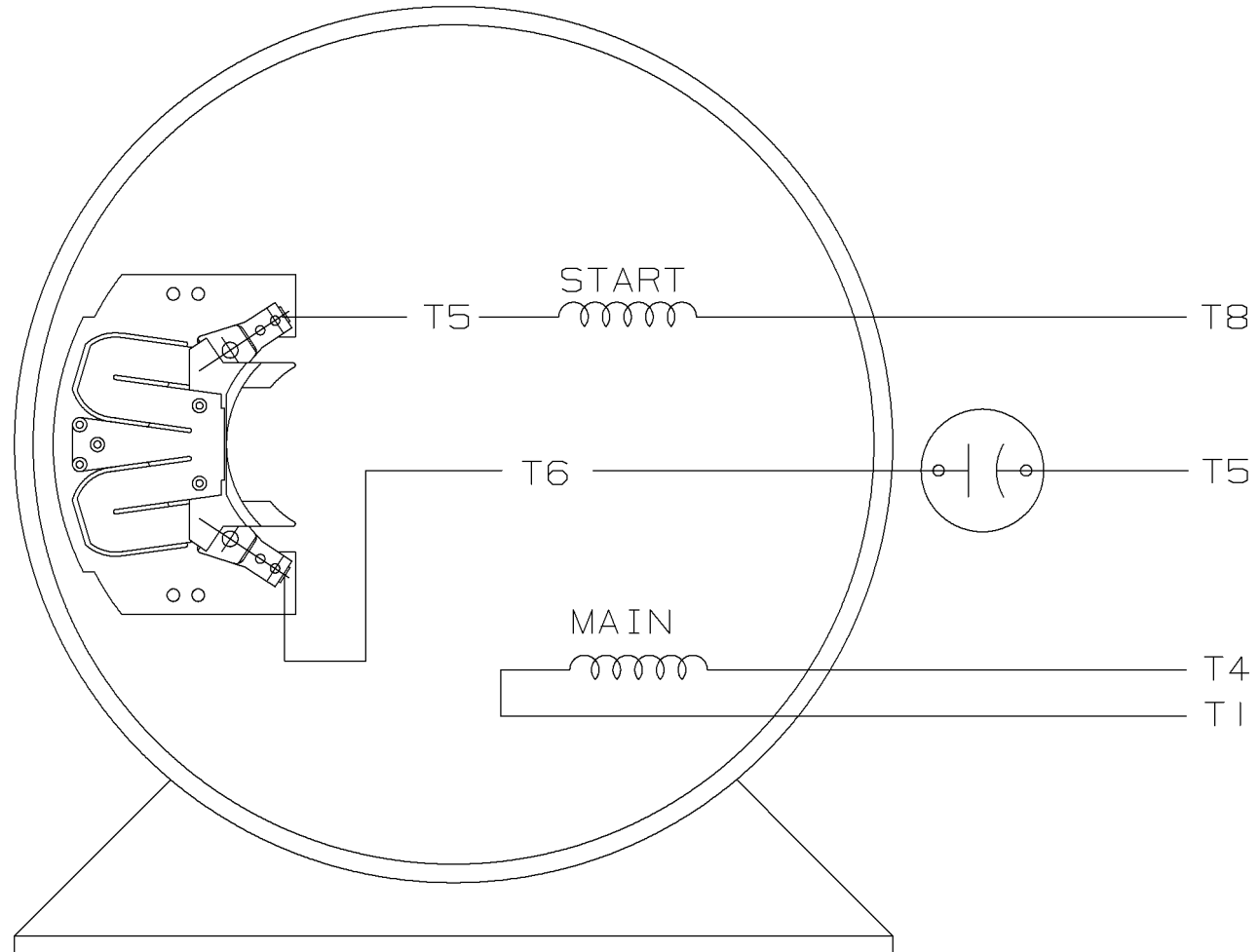
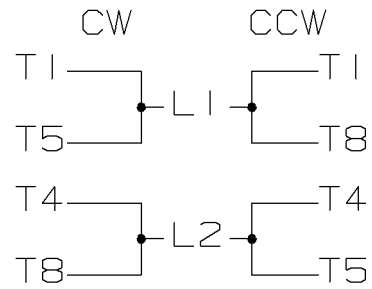


DASH	FR.	C	AG	BS
965	213JP	22.29	14.17	2.45
1115	213/15JP	23.79	15.67	3.95
1240	213/15JP	25.04	16.92	5.20

NOTES:
 1. NAMEPLATE TO BE READ FROM C'BOX SIDE OF MOTOR.

NO.	REVISION	BY & DATE	CHK	ANG	FINISH	TOLERANCES UNLESS SPECIFIED		Century®	DRAWN	GR 07/25/12
						DEC.	INCHES		CHK	SR 07/25/12
						.X	±.1	TITLE OUTLINE - 210JP FR. DP - 'C' FACE	APPD	
						.XX	±.03		SCALE	1=5
						.XXX	±.005		REF	037644
						.XXXX	±.0005		FMF	
									PREV	
THIS DRAWING IN DESIGN AND DETAIL IS OUR PROPERTY AND MUST NOT BE USED EXCEPT IN CONNECTION WITH OUR WORK ALL RIGHTS OF DESIGN AND INVENTION ARE RESERVED THIS IS AN ELECTRONICALLY GENERATED DOCUMENT - DO NOT SCALE THIS PRINT						RFP	CAD FILE 037644CY		SIZE	DRAWING NO. PAGE OF REV.
						DIST LB			A	037644CY

SINGLE VOLTAGE CAPACITOR START
MOTOR, ELECTRICALLY REVERSIBLE



VIEW OF TERMINAL END

				✓ MAX. SURFACE ROUGHNESS UNLESS NOTED OTHERWISE	UNLESS OTHERWISE SPECIFIED DIMENSIONS ARE IN INCHES TOL. ON XX± .02 XXX± .005 XXXX± .0005 ANGLES± 7'30"		
				MATL SPEC			DRAWN BY GK 01-10-1987
				FINISH			CHKD BY
1	01-10-1987	NEW DRAWING	CN-7664C	GK	WAUSAU, WISCONSIN 54401		APPD BY
REV	DATE	CHANGE		NAME	PART NAME CONNECTION DIAGRAM		DRWG NO A- EE7090JR

SHOP BOOK

PURCHASED

DISTRIBUTION - WA - LB - WP - LM - BR

CADD FILE NO.

EE7090JR

ERROR: syntaxerror
OFFENDING COMMAND: --nostringval--

STACK:

214
/Otilde
213
/Ocircumflex
212
/Oacute
211
/Ograve
210
/Ntilde
209
/Eth
208
/Idieresis
207
/Icircumflex
206
/Iacute
205
/Igrave
204
/Edieresis
203
/Ecircumflex
202
/Eacute
201
/Egrave
200
/Ccedilla
199
/AE
198
/Aring
197
/Adieresis
196
/Atilde
195
/Acircumflex
194
/Aacute
193
/Agrave
192
/questiondown
191
/threequarters
190
/onehalf
189
/onequarter
188
/guillemotright
187
/ordmasculine
186
/onesuperior
185
/cedilla
184
/periodcentered
183
/paragraph
182
/mu
181
/acute