

PRODUCT INFORMATION PACKET



Model No: P321M2

Catalog No: P321M2

Close-Coupled Pump Motor, 10 HP, 1 Ph, 60 Hz, 230 V, 3600 RPM, 215TCZ Frame, ODP



Regal and Century are trademarks of Regal Rexnord Corporation or one of its affiliated companies.
©2022 Regal Rexnord Corporation, All Rights Reserved. MC017097E





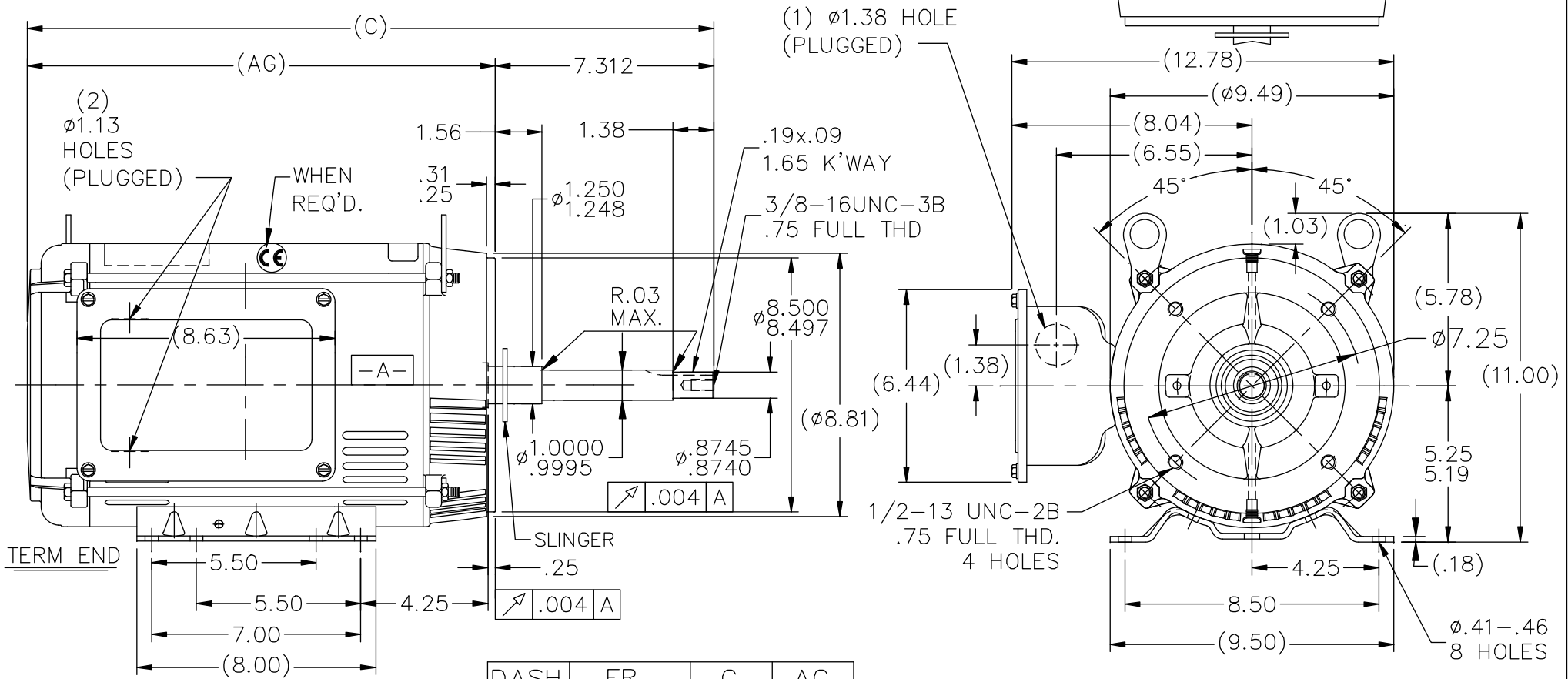
Nameplate Specifications

Output HP	10 Hp	Output KW	7.5 kW
Frequency	60 Hz	Voltage	230 V
Current	37.5 A	Speed	3510 rpm
Service Factor	1.15	Phase	1
Duty	Continuous	Insulation Class	F
Frame	215TCZ	Enclosure	Open Drip Proof
Thermal Protection	No Protection	Ambient Temperature	40 °C
UL	Recognized	CSA	Y
CE	Y	Number of Speeds	1

Technical Specifications

Electrical Type	Capacitor Start Capacitor Run	Starting Method	Across The Line
Poles	2	Rotation	Counterclockwise
Mounting	Rigid Base	Drive End Bearing	Ball
Opp Drive End Bearing	Ball	Frame Material	Rolled Steel
Shaft Type	Keyed	Overall Length	24.83 in
Frame Length	12.40 in	Shaft Diameter	1.250 in
Shaft Extension	7.62 in		
Outline Drawing	037781CY	Connection Drawing	A-EE9048MF-CY

This is an uncontrolled document once printed or downloaded and is subject to change without notice. Date Created:11/28/2022



DASH	FR.	C	AG
965	213TCZ	21.48	14.17
1115	213/15TCZ	22.98	15.67
1240	213/15TCZ	24.83	16.92

NOTES:
1. NAMEPLATE TO BE READ FROM C'BOX SIDE OF MOTOR.

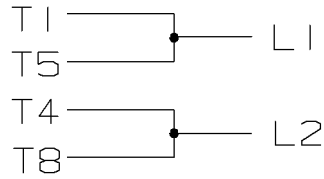
NO.		REVISION		BY & DATE		CHK		ANG		FINISH		DRAWING NO.		PAGE 1 OF 1		REV.	
										DRAWN		GR 08/07/12					
										CHK		SR 08/07/12					
										APPD							
										SCALE		1=4.2					
										REF		037643					
										FMF							
										PREV							
										RFP		CAD FILE 037781CY		SIZE		A	
										DIST LB				DRAWING NO.		037781CY	

THIS DRAWING IN DESIGN AND DETAIL IS OUR PROPERTY AND MUST NOT BE USED EXCEPT IN CONNECTION WITH OUR WORK ALL RIGHTS OF DESIGN AND INVENTION ARE RESERVED THIS IS AN ELECTRONICALLY GENERATED DOCUMENT - DO NOT SCALE THIS PRINT

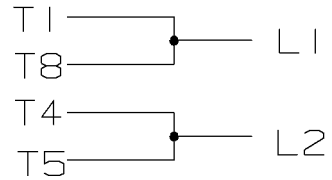


TITLE OUTLINE - 210JM FR.
DP - 'C' FACE

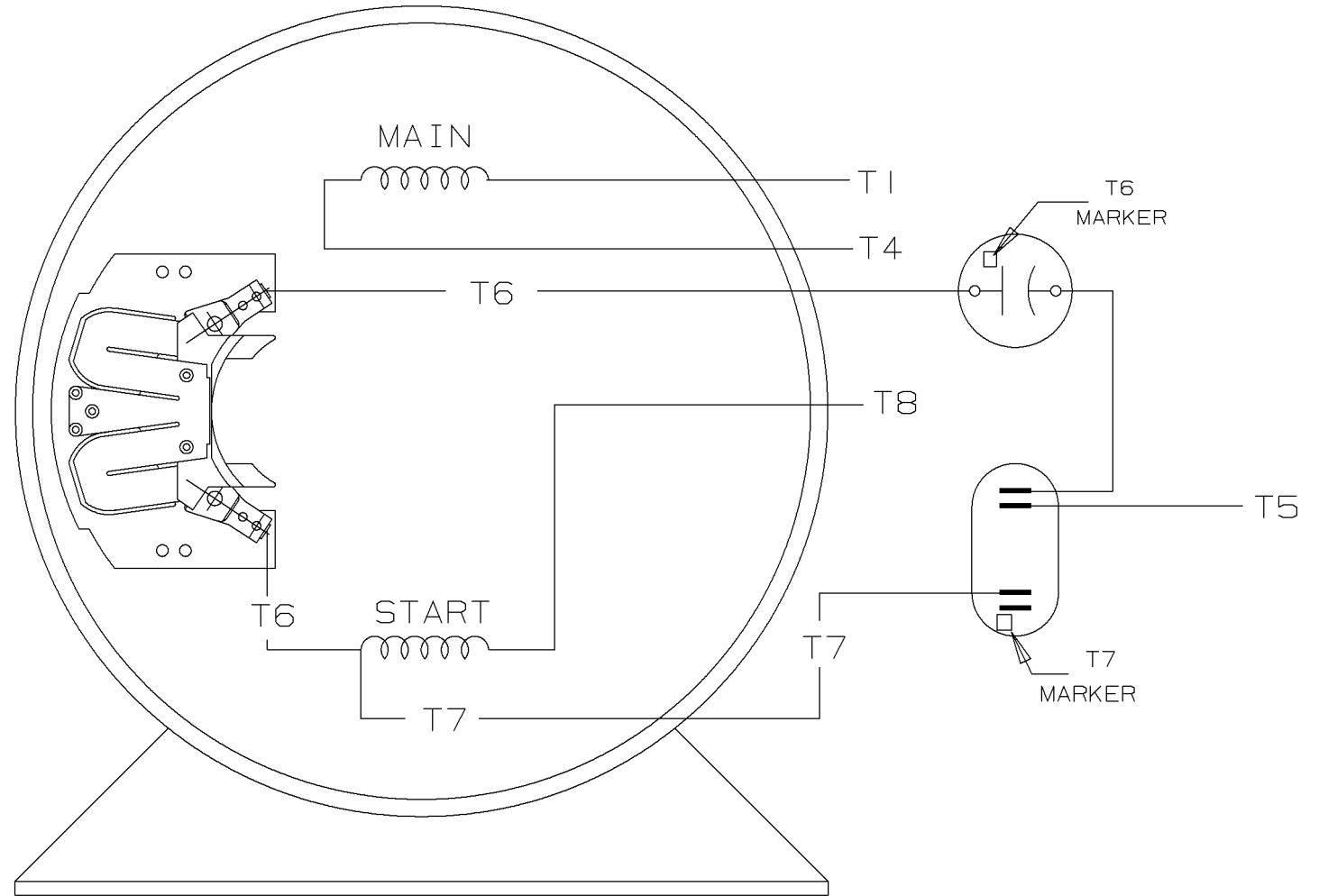
C.W. ROTATION



C.C.W. ROTATION



SINGLE VOLTAGE
CAPACITOR START
CAPACITOR RUN
REVERSIBLE



VIEW OF TERMINAL END

				✓ MAX. SURFACE ROUGHNESS UNLESS NOTED OTHERWISE	UNLESS OTHERWISE SPECIFIED DIMENSIONS ARE IN INCHES TOL. ON XX± XXX±.005 XXXX±.0005 ANGLES±		
				MATL SPEC	180 - 210 SWITCH		DRAWN BY GK 11-01-1986
				FINISH			CHKD BY ML 11-01-1986
1	11-04-1986	NEW DRAWING	CN 7664C	GK	REFERENCE DRW.	WAUSAU, WISCONSIN 54401	APPD BY FG 11-04-1986
REV	DATE	CHANGE		NAME	PART NAME CONNECTION DIAGRAM		DRWG NO A-EE9048MF

SHOP BOOK

PURCHASED

DISTRIBUTION - WA - LB - WP - LM - BR

CADD FILE NO.

EE9048MF