

PRODUCT INFORMATION PACKET



Model No: P318M2

Catalog No: P318M2

7 1/2 HP Close-Coupled Pump Motor, 1 phase, 3600 RPM, 230 V, 213JM Frame, ODP
Close-Coupled Pump Motors



Regal and Century are trademarks of Regal Rexnord Corporation or one of its affiliated companies.
©2021 Regal Rexnord Corporation, All Rights Reserved. MC017097E





Nameplate Specifications

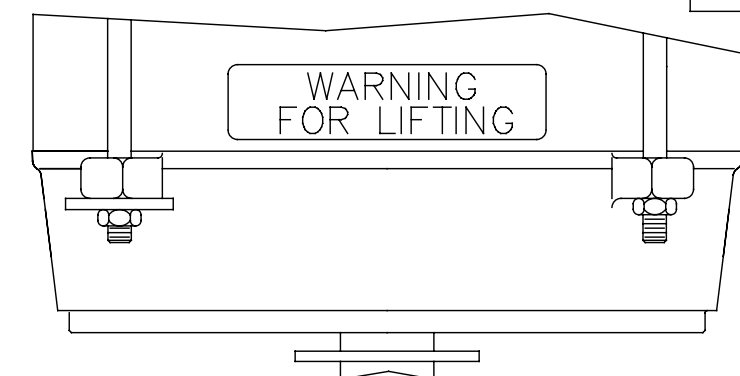
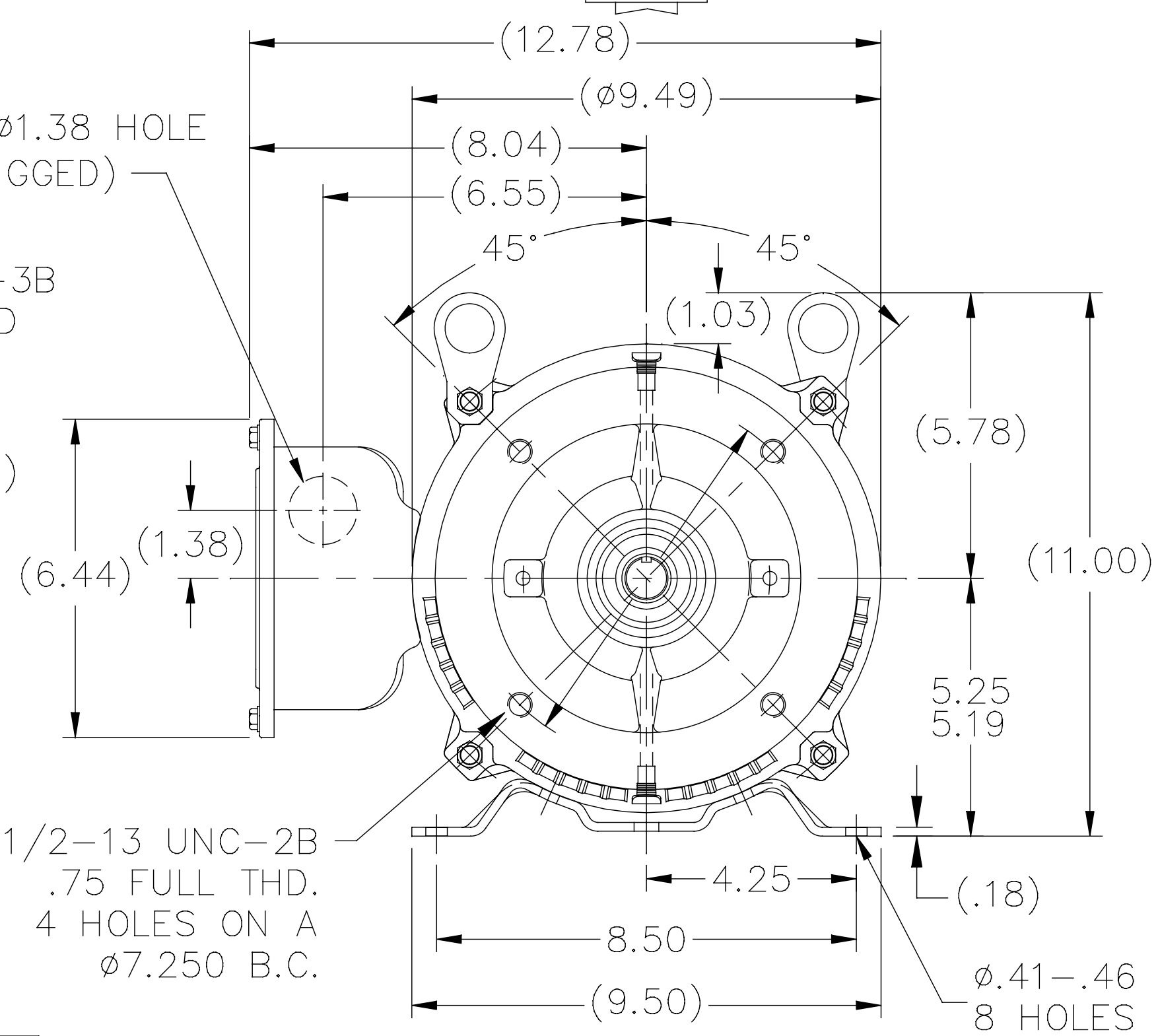
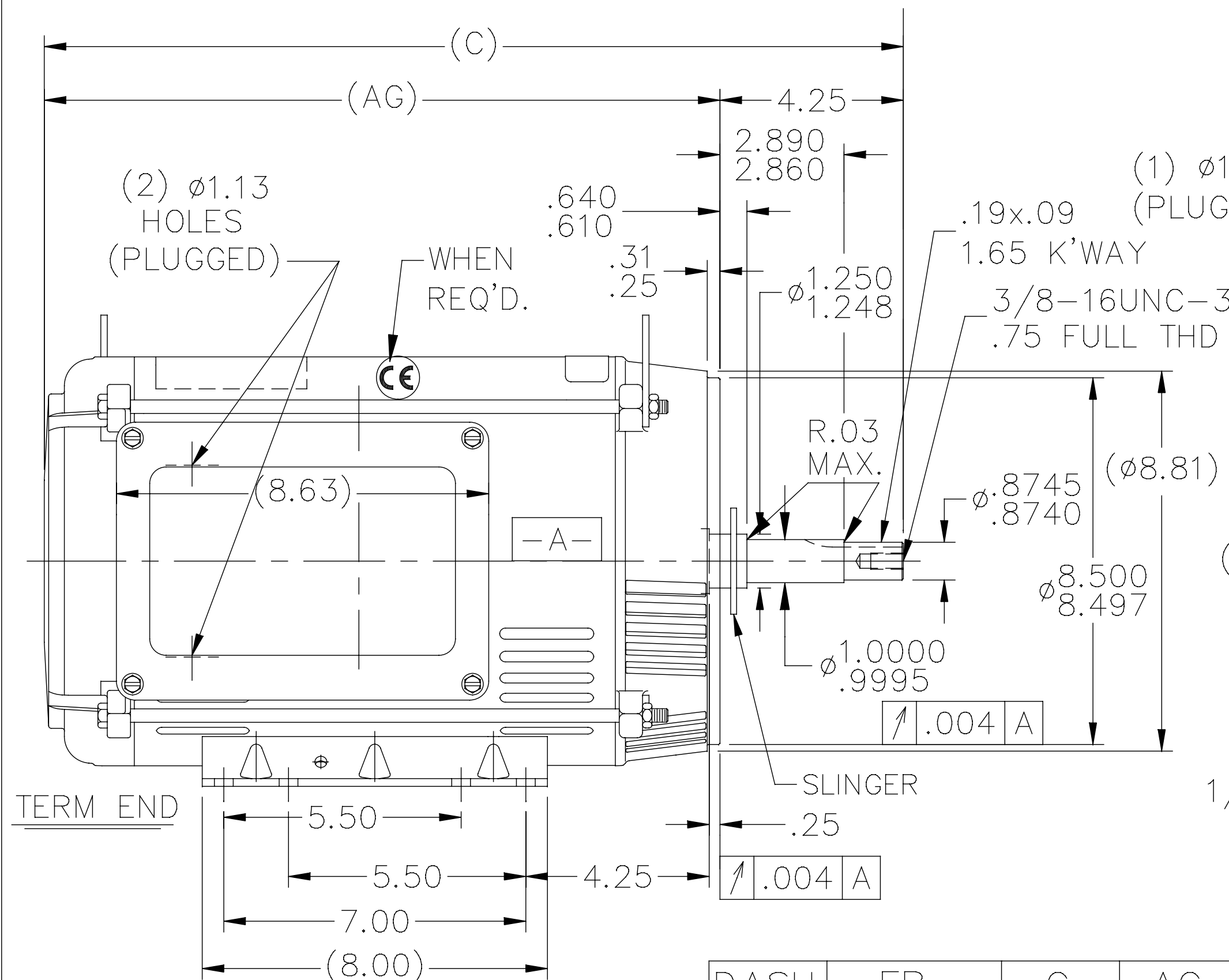
Output HP	7 1/2 Hp	Output KW	5.6 kW
Frequency	60 Hz	Voltage	230 V
Current	37 A	Speed	3470 rpm
Service Factor	1.15	Phase	1
Duty	Continuous	Insulation Class	F
Frame	213JM	Enclosure	Open Drip Proof
Thermal Protection	No	Ambient Temperature	40 °C
UL	Recognized	CSA	Y
CE	Y	Number of Speeds	1

Technical Specifications

Electrical Type	Capacitor Start	Starting Method	Across The Line
Poles	2	Rotation	Counterclockwise
Mounting	Rigid Base	Drive End Bearing	Ball
Opp Drive End Bearing	Ball	Frame Material	Rolled Steel
Shaft Type	Keyed	Overall Length	18.42 in
Frame Length	9.65 in	Shaft Diameter	1.250 in
Shaft Extension	4.56 in		
Connection Drawing	A-EE7090JR-CY	Outline Drawing	037643CY

This is an uncontrolled document once printed or downloaded and is subject to change without notice. Date Created:10/12/2021

037643CY



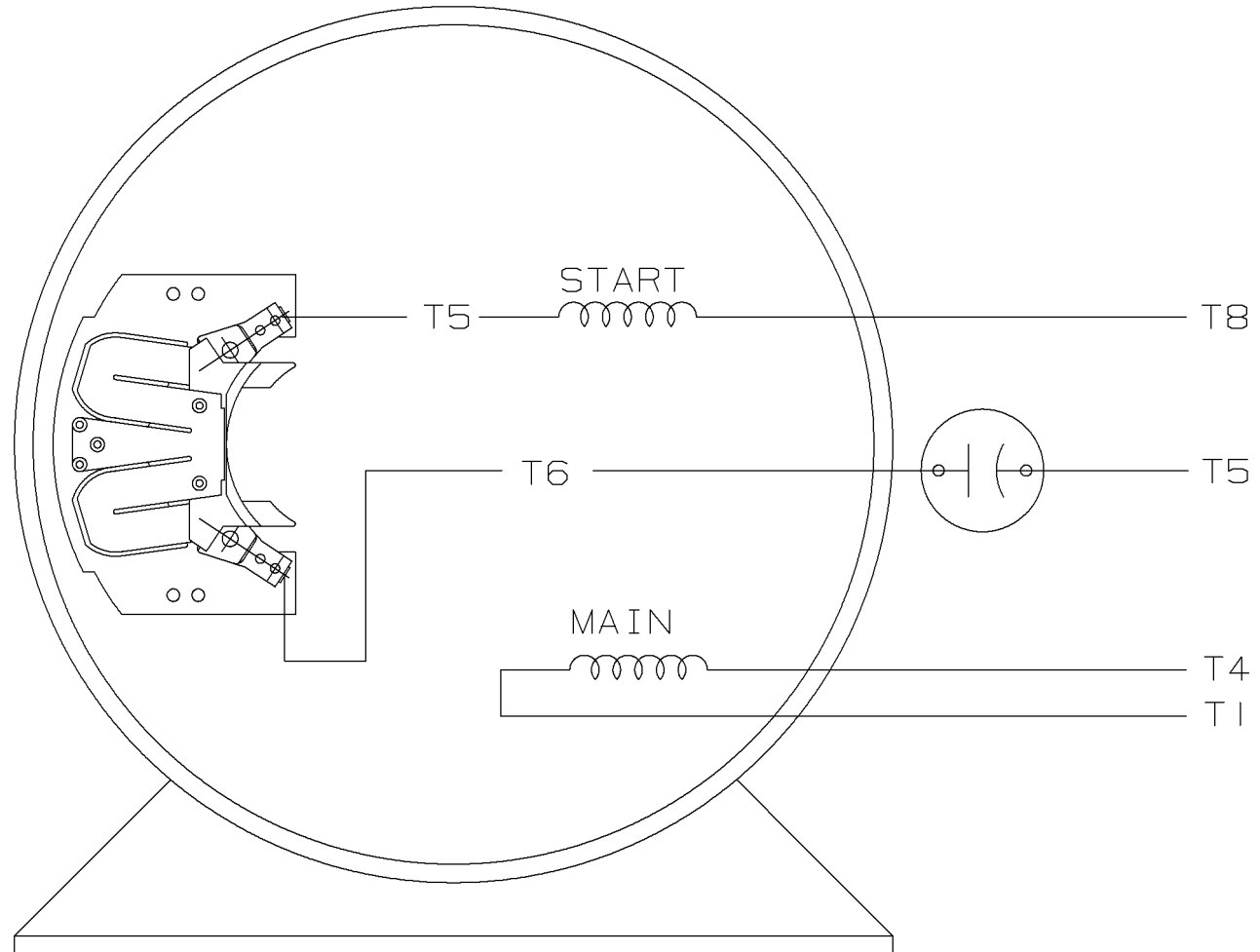
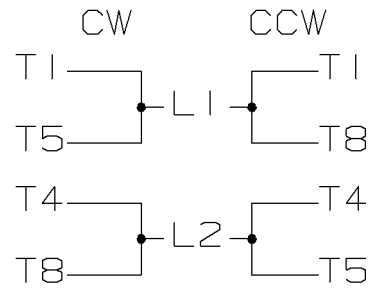
DASH	FR.	C	AG
965	213JM	18.42	14.17
1115	213/15JM	19.92	15.67
1240	213/15JM	21.17	16.92

ORACLE REV 001

NOTES:
1. NAMEPLATE TO BE READ FROM C'BOX SIDE OF MOTOR.

		TOLERANCES UNLESS SPECIFIED			DRAWN GR 08/08/12
		DEC.	INCHES		CHK SR 08/08/12
		.X	±.1		APPD
		.XX	±.03		SCALE 1=4.2
			.XXX	±.005	REF 037643
C	ADDED "AJ" DIM OF 7.250 ECO 0083886	GWS 8/21/15	.XXXX	±.0005	FMF
NO.	REVISION	BY & DATE	CHK ANG	±7'30"	PREV
THIS DRAWING IN DESIGN AND DETAIL IS OUR PROPERTY AND MUST NOT BE USED EXCEPT IN CONNECTION WITH OUR WORK ALL RIGHTS OF DESIGN AND INVENTION ARE RESERVED THIS IS AN ELECTRONICALLY GENERATED DOCUMENT - DO NOT SCALE THIS PRINT			RFP	CAD FILE 037643CY	SIZE A
			DIST LB		DRAWING NO. 037643CY
					PAGE 1 OF 1
					REV. C

SINGLE VOLTAGE CAPACITOR START
MOTOR, ELECTRICALLY REVERSIBLE



VIEW OF TERMINAL END

				✓ MAX. SURFACE ROUGHNESS UNLESS NOTED OTHERWISE	UNLESS OTHERWISE SPECIFIED DIMENSIONS ARE IN INCHES TOL. ON XX±.02 XXX±.005 XXXX±.0005 ANGLES± 7'30"		
				MATL SPEC			DRAWN BY GK 01-10-1987
				FINISH			CHKD BY
1	01-10-1987	NEW DRAWING	CN-7664C	GK	WAUSAU, WISCONSIN 54401		APPD BY
REV	DATE	CHANGE		NAME	PART NAME CONNECTION DIAGRAM		DRWG NO A- EE7090JR

SHOP BOOK

PURCHASED

DISTRIBUTION - WA - LB - WP - LM - BR

CADD FILE NO.

EE7090JR

ERROR: syntaxerror
OFFENDING COMMAND: --nostringval--

STACK:

214
/Otilde
213
/Ocircumflex
212
/Oacute
211
/Ograve
210
/Ntilde
209
/Eth
208
/Idieresis
207
/Icircumflex
206
/Iacute
205
/Igrave
204
/Edieresis
203
/Ecircumflex
202
/Eacute
201
/Egrave
200
/Ccedilla
199
/AE
198
/Aring
197
/Adieresis
196
/Atilde
195
/Acircumflex
194
/Aacute
193
/Agrave
192
/questiondown
191
/threequarters
190
/onehalf
189
/onequarter
188
/guillemotright
187
/ordmasculine
186
/onesuperior
185
/cedilla
184
/periodcentered
183
/paragraph
182
/mu
181
/acute