

PRODUCT INFORMATION PACKET



Model No: P317M2
Catalog No: P317M2
5 HP Close-Coupled Pump Motor, 1 phase, 1800 RPM, 230 V, 213JM Frame, ODP
Close-Coupled Pump Motors



Regal and Century are trademarks of Regal Rexnord Corporation or one of its affiliated companies.
©2021 Regal Rexnord Corporation, All Rights Reserved. MC017097E





Nameplate Specifications

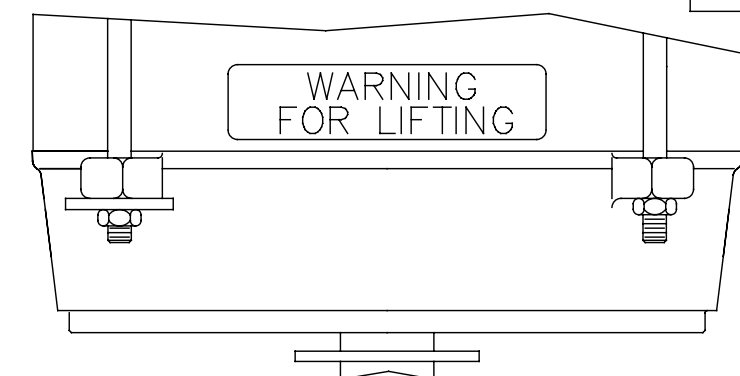
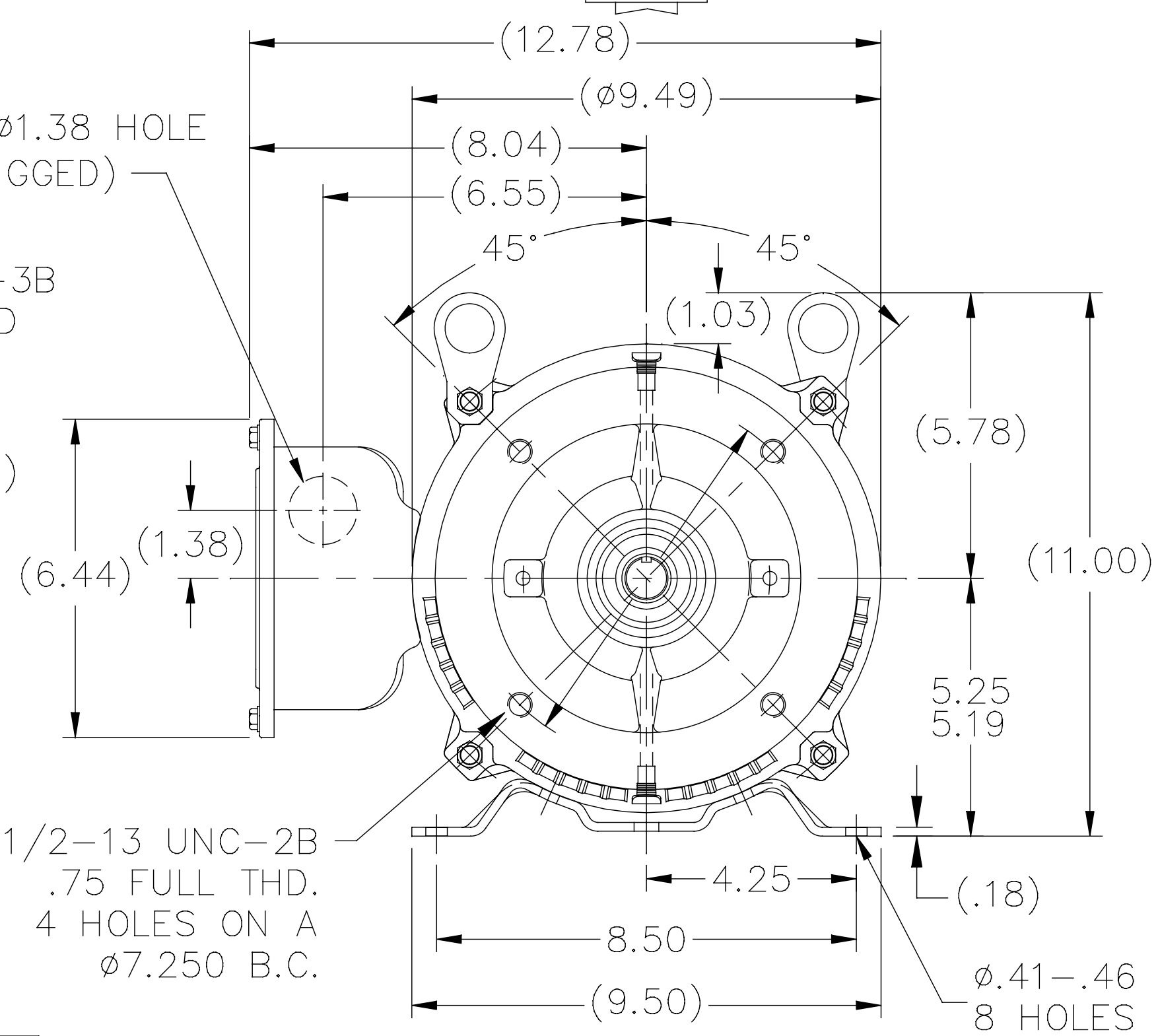
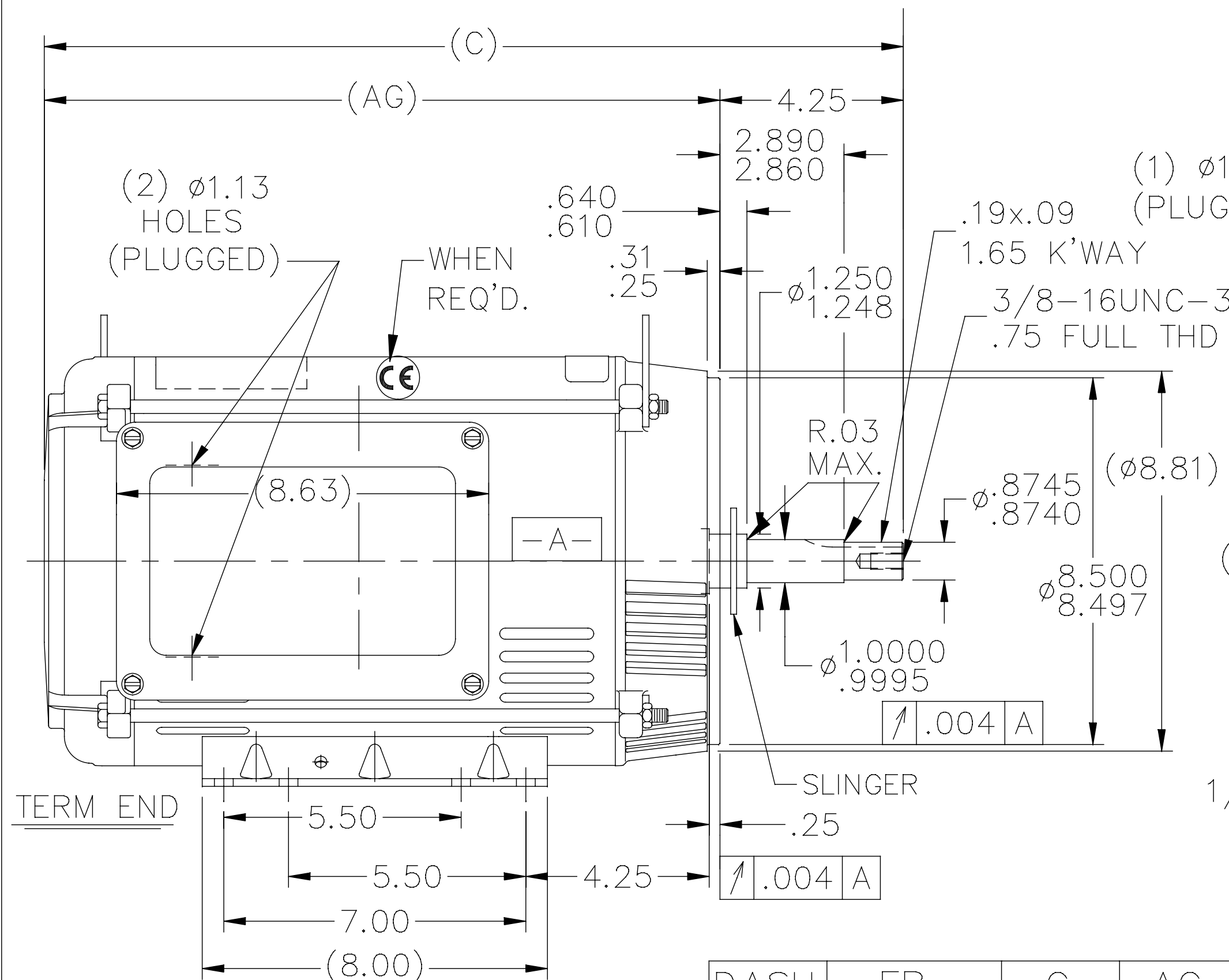
Output HP	5 Hp	Output KW	3.7 kW
Frequency	60 Hz	Voltage	230 V
Current	22 A	Speed	1749 rpm
Service Factor	1.15	Phase	1
Duty	Continuous	Insulation Class	F
Frame	213JM	Enclosure	Open Drip Proof
Thermal Protection	No	Ambient Temperature	40 °C
UL	Recognized	CSA	Y
CE	Y	Number of Speeds	1

Technical Specifications

Electrical Type	Capacitor Start Capacitor Run	Starting Method	Across The Line
Poles	4	Rotation	Counterclockwise
Mounting	Rigid Base	Drive End Bearing	Ball
Opp Drive End Bearing	Ball	Frame Material	Rolled Steel
Shaft Type	Keyed	Overall Length	19.92 in
Frame Length	11.15 in	Shaft Diameter	1.250 in
Shaft Extension	4.56 in		
Connection Drawing	A-EE9048MF-CY	Outline Drawing	037643CY

This is an uncontrolled document once printed or downloaded and is subject to change without notice. Date Created:10/12/2021

037643CY



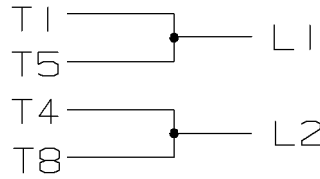
DASH	FR.	C	AG
965	213JM	18.42	14.17
1115	213/15JM	19.92	15.67
1240	213/15JM	21.17	16.92

ORACLE REV 001

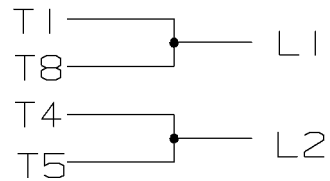
NOTES:
1. NAMEPLATE TO BE READ FROM C'BOX SIDE OF MOTOR.

		TOLERANCES UNLESS SPECIFIED			DRAWN GR 08/08/12
		DEC.	INCHES		CHK SR 08/08/12
		.X	±.1		APPD
		.XX	±.03		SCALE 1=4.2
			.XXX	±.005	REF 037643
C	ADDED "AJ" DIM OF 7.250 ECO 0083886	GWS 8/21/15	.XXXX	±.0005	FMF
NO.	REVISION	BY & DATE	CHK ANG	±7'30"	PREV
THIS DRAWING IN DESIGN AND DETAIL IS OUR PROPERTY AND MUST NOT BE USED EXCEPT IN CONNECTION WITH OUR WORK ALL RIGHTS OF DESIGN AND INVENTION ARE RESERVED THIS IS AN ELECTRONICALLY GENERATED DOCUMENT - DO NOT SCALE THIS PRINT			RFP	CAD FILE 037643CY	SIZE A
			DIST LB		DRAWING NO. 037643CY
					PAGE 1 OF 1
					REV. C

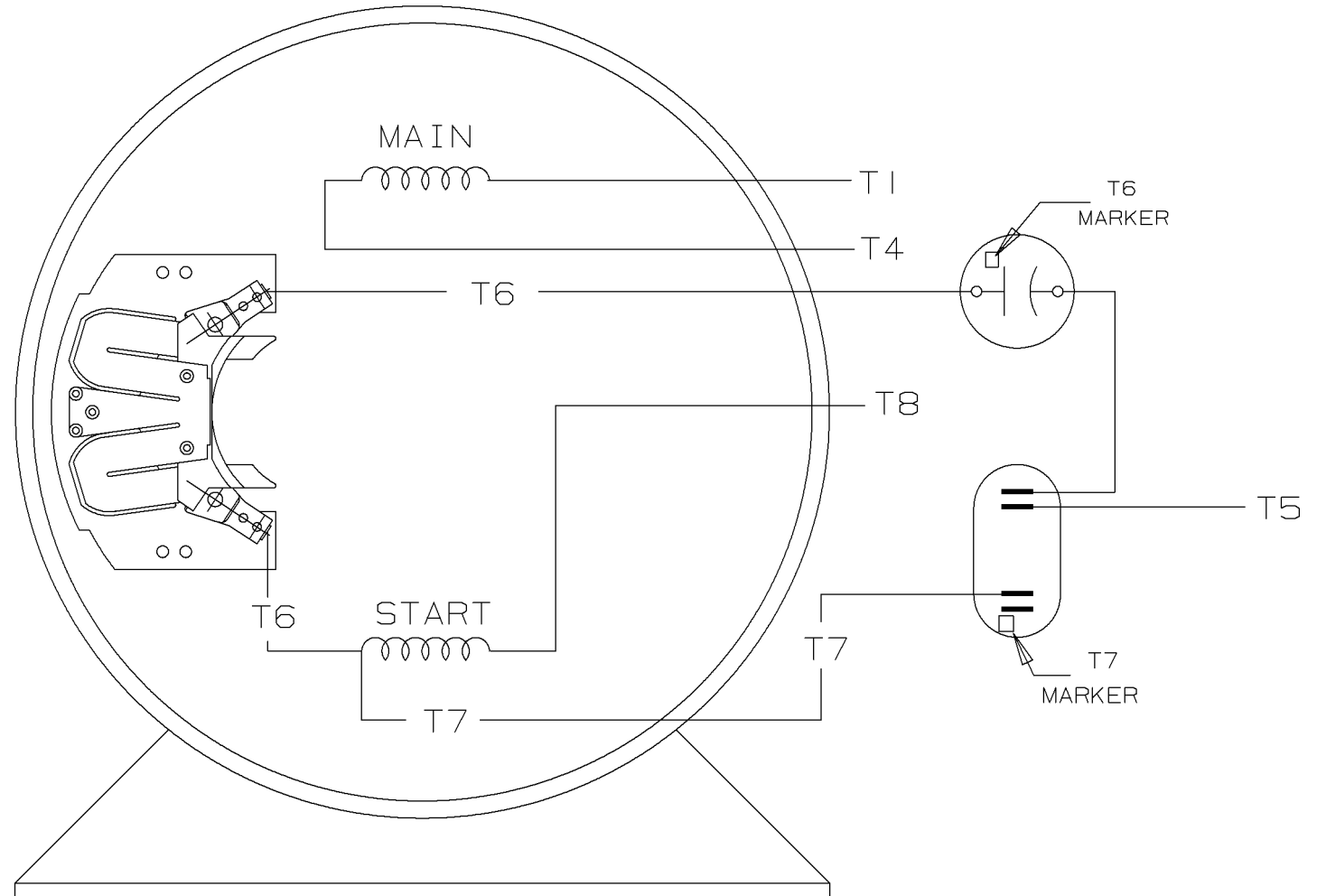
C.W. ROTATION



C.C.W. ROTATION



SINGLE VOLTAGE
CAPACITOR START
CAPACITOR RUN
REVERSIBLE



VIEW OF TERMINAL END

				✓ MAX. SURFACE ROUGHNESS UNLESS NOTED OTHERWISE	UNLESS OTHERWISE SPECIFIED DIMENSIONS ARE IN INCHES TOL. ON XX± XXX±.005 XXXX±.0005 ANGLES±		
				MATL SPEC	180 - 210 SWITCH	DRAWN BY	GK 11-01-1986
				FINISH	MARATHON ELECTRIC	CHKD BY	ML 11-01-1986
I	11-04-1986	NEW DRAWING	CN 7664C	GK	REFERENCE DRW.	WAUSAU, WISCONSIN 54401	APPD BY FG 11-04-1986
REV	DATE	CHANGE	NAME	PART NAME CONNECTION DIAGRAM			DRWG NO A-EE9048MF

SHOP BOOK

PURCHASED

DISTRIBUTION - WA - LB - WP - LM - BR

CADD FILE NO.

EE9048MF