

PRODUCT INFORMATION PACKET



Model No: P313M2

Catalog No: P313M2

Close-Coupled Pump Motor, 7.5 HP, 1 Ph, 60 Hz, 230 V, 1800 RPM, 215TCZ Frame, ODP



Regal and Century are trademarks of Regal Rexnord Corporation or one of its affiliated companies.
©2022 Regal Rexnord Corporation, All Rights Reserved. MC017097E





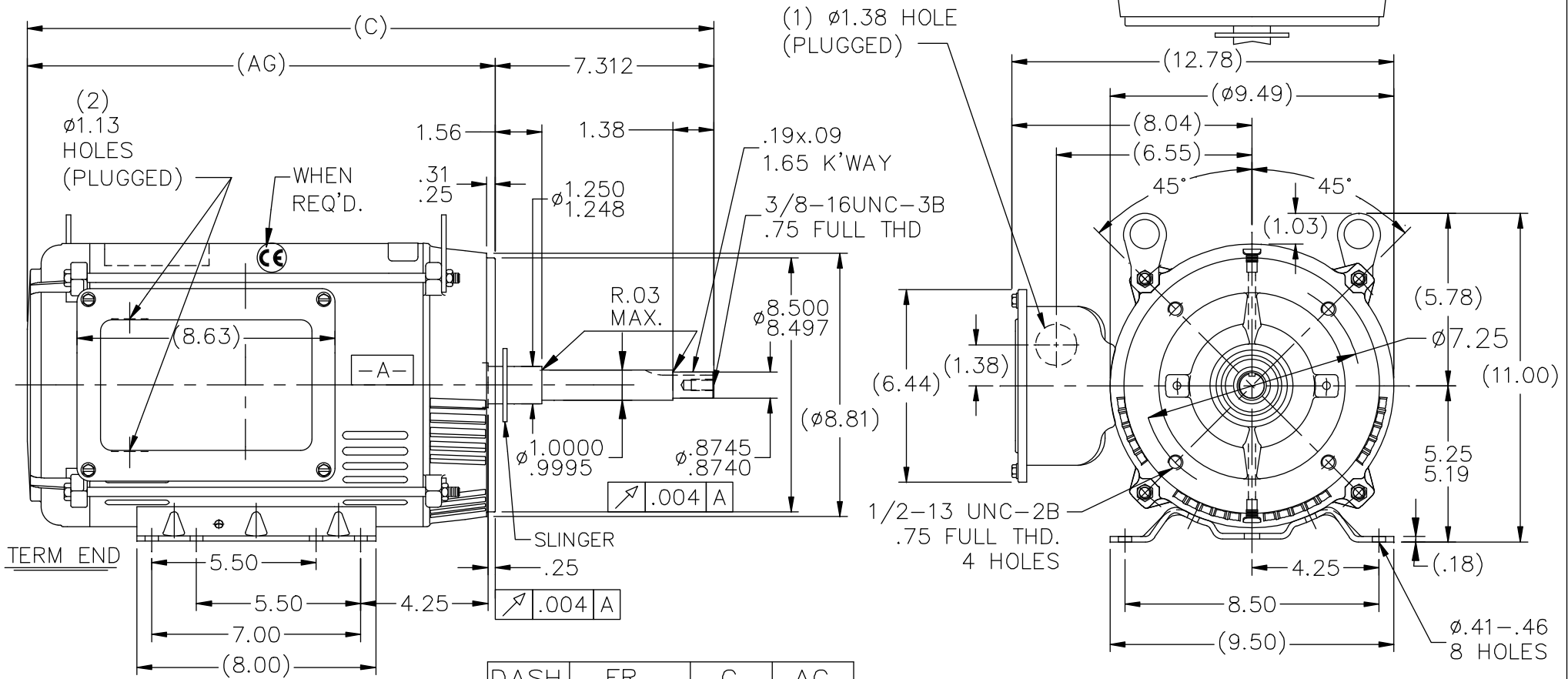
Nameplate Specifications

Output HP	7.5 Hp	Output KW	5.6 kW
Frequency	60 Hz	Voltage	230 V
Current	34.5 A	Speed	1733 rpm
Service Factor	1.15	Phase	1
Duty	Continuous	Insulation Class	F
Frame	215TCZ	Enclosure	Open Drip Proof
Thermal Protection	No Protection	Ambient Temperature	40 °C
UL	Recognized	CSA	Y
CE	Y	Number of Speeds	1

Technical Specifications

Electrical Type	Capacitor Start Capacitor Run	Starting Method	Across The Line
Poles	4	Rotation	Counterclockwise
Mounting	Rigid Base	Drive End Bearing	Ball
Opp Drive End Bearing	Ball	Frame Material	Rolled Steel
Shaft Type	Keyed	Overall Length	22.98 in
Frame Length	11.15 in	Shaft Diameter	1.250 in
Shaft Extension	7.62 in		
Outline Drawing	037781CY	Connection Drawing	A-EE9048MF-CY

This is an uncontrolled document once printed or downloaded and is subject to change without notice. Date Created:11/28/2022



DASH	FR.	C	AG
965	213TCZ	21.48	14.17
1115	213/15TCZ	22.98	15.67
1240	213/15TCZ	24.83	16.92

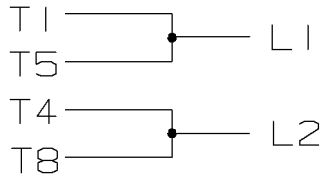
NOTES:
1. NAMEPLATE TO BE READ FROM C'BOX SIDE OF MOTOR.

		TOLERANCES UNLESS SPECIFIED		DRAWN GR 08/07/12						
		DEC.	INCHES	CHK	SR 08/07/12					
		.X	±.1	APPD						
		.XX	±.03	SCALE	1=4.2					
		.XXX	±.005	REF	037643					
		.XXXX	±.0005	FMF						
NO.	REVISION	BY & DATE	CHK	ANG	±7'30"	FINISH	MAT'L.	PREV		
			RFP			CAD FILE 037781CY				
			DIST	LB						
THIS DRAWING IN DESIGN AND DETAIL IS OUR PROPERTY AND MUST NOT BE USED EXCEPT IN CONNECTION WITH OUR WORK ALL RIGHTS OF DESIGN AND INVENTION ARE RESERVED THIS IS AN ELECTRONICALLY GENERATED DOCUMENT - DO NOT SCALE THIS PRINT							SIZE	DRAWING NO.	PAGE 1 OF 1	REV.
							A	037781CY		

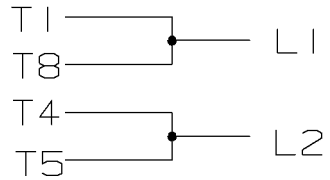


TITLE OUTLINE - 210JM FR.
DP - 'C' FACE

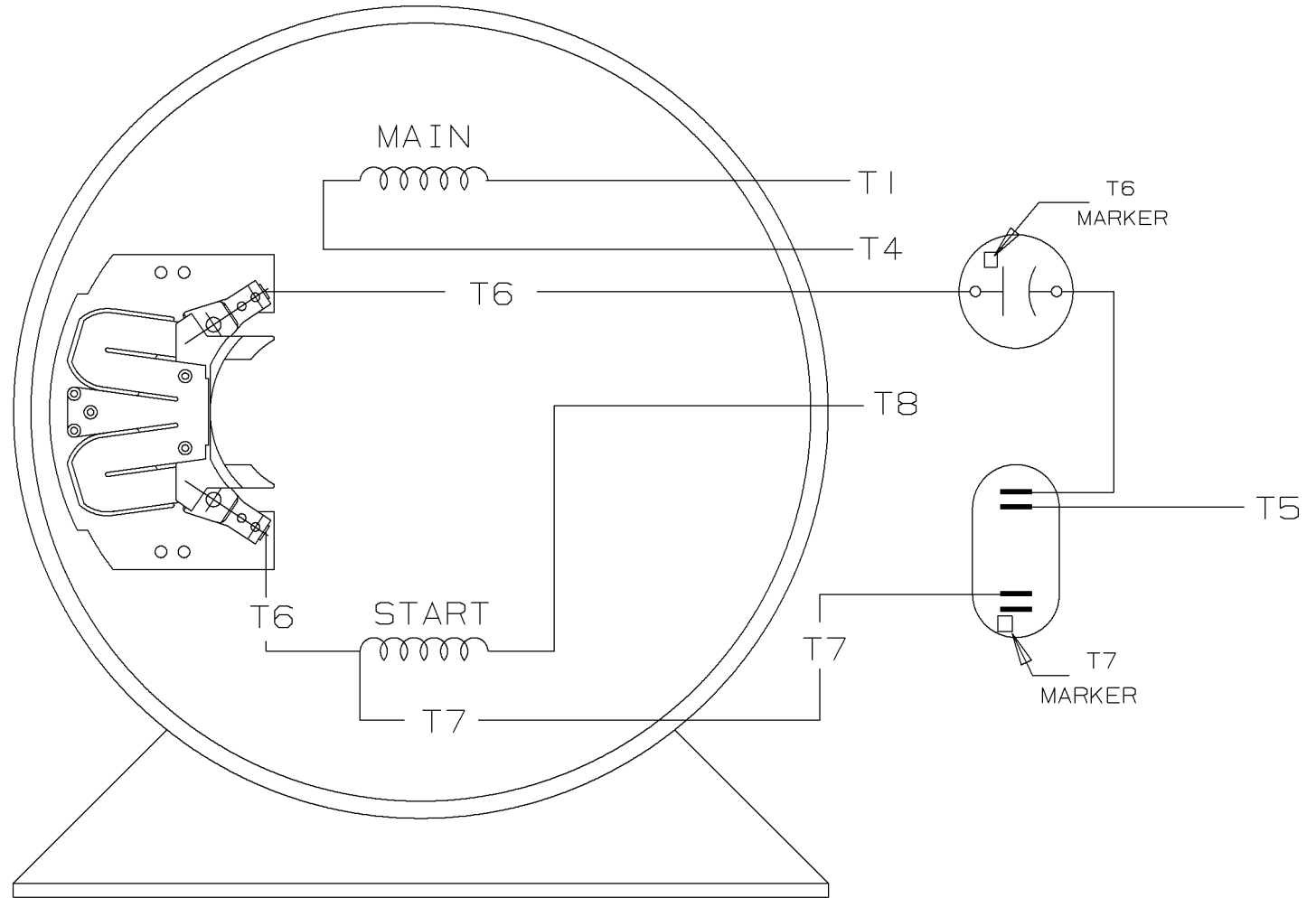
C.W. ROTATION



C.C.W. ROTATION



SINGLE VOLTAGE
CAPACITOR START
CAPACITOR RUN
REVERSIBLE



VIEW OF TERMINAL END

				✓ MAX. SURFACE ROUGHNESS UNLESS NOTED OTHERWISE	UNLESS OTHERWISE SPECIFIED DIMENSIONS ARE IN INCHES TOL. ON XX± XXX±.005 XXXX±.0005 ANGLES±		
				MATL SPEC	180 - 210 SWITCH	DRAWN BY	GK 11-01-1986
				FINISH	MARATHON ELECTRIC	CHKD BY	ML 11-01-1986
I	11-04-1986	NEW DRAWING	CN 7664C	GK	REFERENCE DRW.	WAUSAU, WISCONSIN 54401	APPD BY FG 11-04-1986
REV	DATE	CHANGE	NAME	PART NAME CONNECTION DIAGRAM			DRWG NO A-EE9048MF

SHOP BOOK

PURCHASED

DISTRIBUTION - WA - LB - WP - LM - BR

CADD FILE NO.

EE9048MF