

# PRODUCT INFORMATION PACKET



Model No: P312M2  
Catalog No: P312M2

Close-Coupled Pump Motor, 5 HP, 1 Ph, 60 Hz, 230 V, 1800 RPM, 213TCZ Frame, ODP



Regal and Century are trademarks of Regal Rexnord Corporation or one of its affiliated companies.  
©2022 Regal Rexnord Corporation, All Rights Reserved. MC017097E





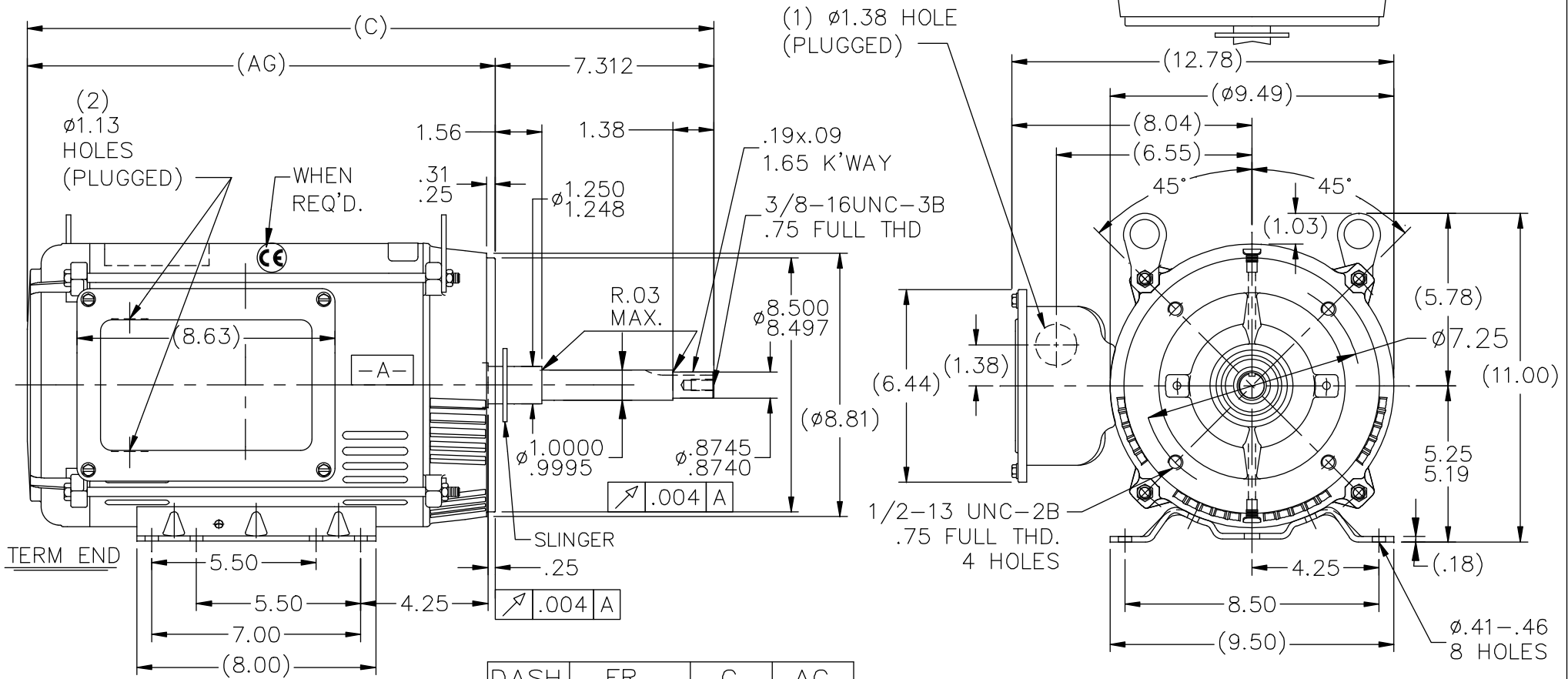
**Nameplate Specifications**

Output HP	<b>5 Hp</b>	Output KW	<b>3.7 kW</b>
Frequency	<b>60 Hz</b>	Voltage	<b>230 V</b>
Current	<b>22 A</b>	Speed	<b>1749 rpm</b>
Service Factor	<b>1.15</b>	Phase	<b>1</b>
Duty	<b>Continuous</b>	Insulation Class	<b>F</b>
Frame	<b>213TCZ</b>	Enclosure	<b>Open Drip Proof</b>
Thermal Protection	<b>No Protection</b>	Ambient Temperature	<b>40 °C</b>
UL	<b>Recognized</b>	CSA	<b>Y</b>
CE	<b>Y</b>	Number of Speeds	<b>1</b>

**Technical Specifications**

Electrical Type	<b>Capacitor Start Capacitor Run</b>	Starting Method	<b>Across The Line</b>
Poles	<b>4</b>	Rotation	<b>Counterclockwise</b>
Mounting	<b>Rigid Base</b>	Drive End Bearing	<b>Ball</b>
Opp Drive End Bearing	<b>Ball</b>	Frame Material	<b>Rolled Steel</b>
Shaft Type	<b>Keyed</b>	Overall Length	<b>22.98 in</b>
Frame Length	<b>11.15 in</b>	Shaft Diameter	<b>1.250 in</b>
Shaft Extension	<b>7.62 in</b>		
Outline Drawing	<b>037781CY</b>	Connection Drawing	<b>A-EE9048MF-CY</b>

This is an uncontrolled document once printed or downloaded and is subject to change without notice. Date Created:11/29/2022



DASH	FR.	C	AG
965	213TCZ	21.48	14.17
1115	213/15TCZ	22.98	15.67
1240	213/15TCZ	24.83	16.92

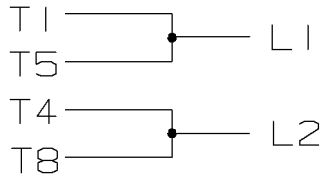
NOTES:  
1. NAMEPLATE TO BE READ FROM C'BOX SIDE OF MOTOR.

NO.		REVISION		BY & DATE		CHK		ANG		FINISH		DRAWN		PAGE 1 OF 1	
										RFP		CAD FILE 037781CY		REV.	
										DIST LB		SIZE A		DRAWING NO. 037781CY	
										TOLERANCES UNLESS SPECIFIED		DEC. INCHES		DRAWN GR 08/07/12	
										.X ±.1		.XX ±.03		CHK SR 08/07/12	
										.XXX ±.005		.XXXX ±.0005		APPD	
										±7'30"		TITLE OUTLINE - 210JM FR. DP - 'C' FACE		SCALE 1=4.2	
										MAT'L.		REF 037643		FMF	
										PREV					

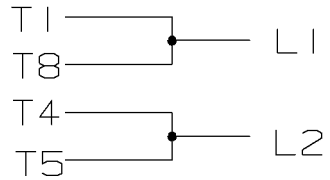


THIS DRAWING IN DESIGN AND DETAIL IS OUR PROPERTY AND MUST NOT BE USED EXCEPT IN CONNECTION WITH OUR WORK ALL RIGHTS OF DESIGN AND INVENTION ARE RESERVED THIS IS AN ELECTRONICALLY GENERATED DOCUMENT - DO NOT SCALE THIS PRINT

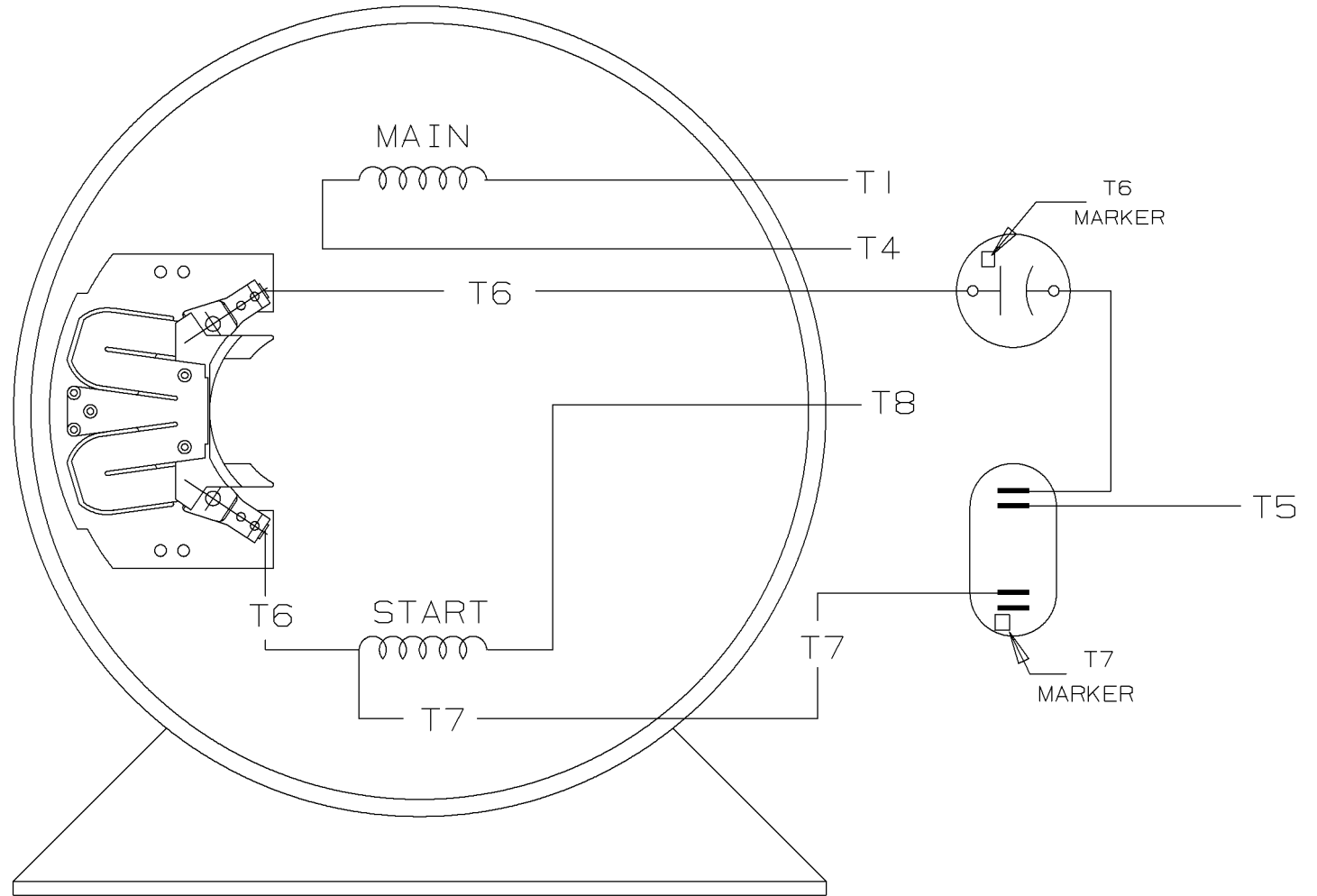
C.W. ROTATION



C.C.W. ROTATION



SINGLE VOLTAGE  
CAPACITOR START  
CAPACITOR RUN  
REVERSIBLE



VIEW OF TERMINAL END

				✓ MAX. SURFACE ROUGHNESS UNLESS NOTED OTHERWISE	UNLESS OTHERWISE SPECIFIED DIMENSIONS ARE IN INCHES TOL. ON XX± XXX±.005 XXXX±.0005 ANGLES±		
				MATL SPEC	180 - 210 SWITCH	DRAWN BY GK	11-01-1986
				FINISH	MARATHON ELECTRIC	CHKD BY ML	11-01-1986
1	11-04-1986	NEW DRAWING	CN 7664C	GK	REFERENCE DRW. WAUSAU, WISCONSIN 54401	APPD BY FG	11-04-1986
REV	DATE	CHANGE	NAME	PART NAME CONNECTION DIAGRAM			DRWG NO A-EE9048MF

SHOP BOOK

PURCHASED

DISTRIBUTION - WA - LB - WP - LM - BR

CADD FILE NO.

EE9048MF