

PRODUCT INFORMATION PACKET



Model No: P230M2
Catalog No: P230M2

3 HP Close-Coupled Pump Motor, 1 phase, 1800 RPM, 230/115 V, 184JM Frame, ODP
Close-Coupled Pump Motors



Regal and Century are trademarks of Regal Rexnord Corporation or one of its affiliated companies.
©2021 Regal Rexnord Corporation, All Rights Reserved. MC017097E





Nameplate Specifications

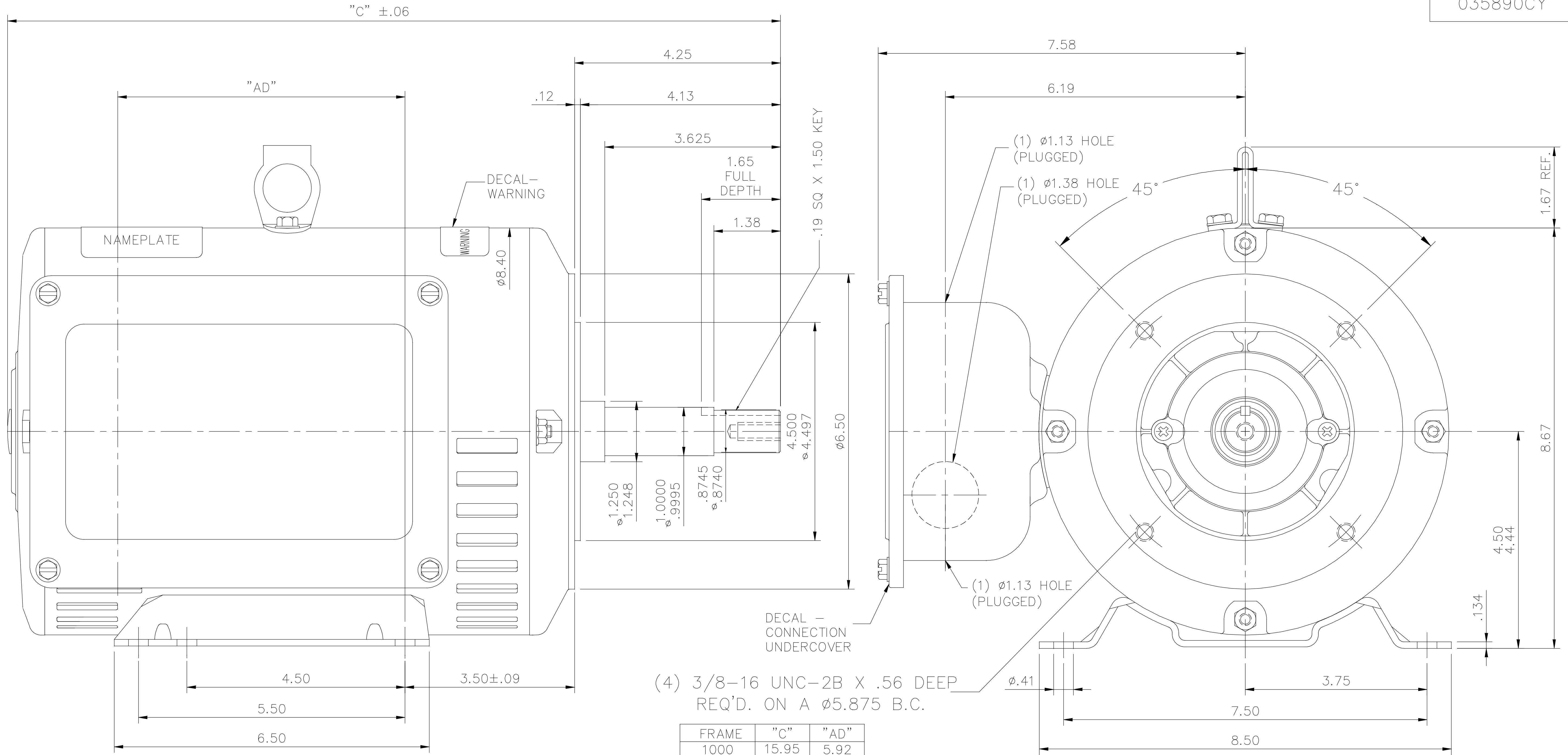
Output HP	3 Hp	Output KW	2.2 kW
Frequency	60 Hz	Voltage	230/115 V
Current	16.8/33.5 A	Speed	1747 rpm
Service Factor	1.15	Phase	1
Duty	Continuous	Insulation Class	F
Frame	184JM	Enclosure	Open Drip Proof
Thermal Protection	No	Ambient Temperature	40 °C
UL	Recognized	CSA	Y
CE	Y	Number of Speeds	1

Technical Specifications

Electrical Type	Capacitor Start	Starting Method	Across The Line
Poles	4	Rotation	Counterclockwise
Mounting	Rigid Base	Drive End Bearing	Ball
Opp Drive End Bearing	Ball	Frame Material	Rolled Steel
Shaft Type	Keyed	Overall Length	15.95 in
Frame Length	10.00 in	Shaft Diameter	1.250 in
Shaft Extension	4.25 in		
Outline Drawing	035890CY	Connection Drawing	005062.01CY

This is an uncontrolled document once printed or downloaded and is subject to change without notice. Date Created:10/12/2021

035890CY



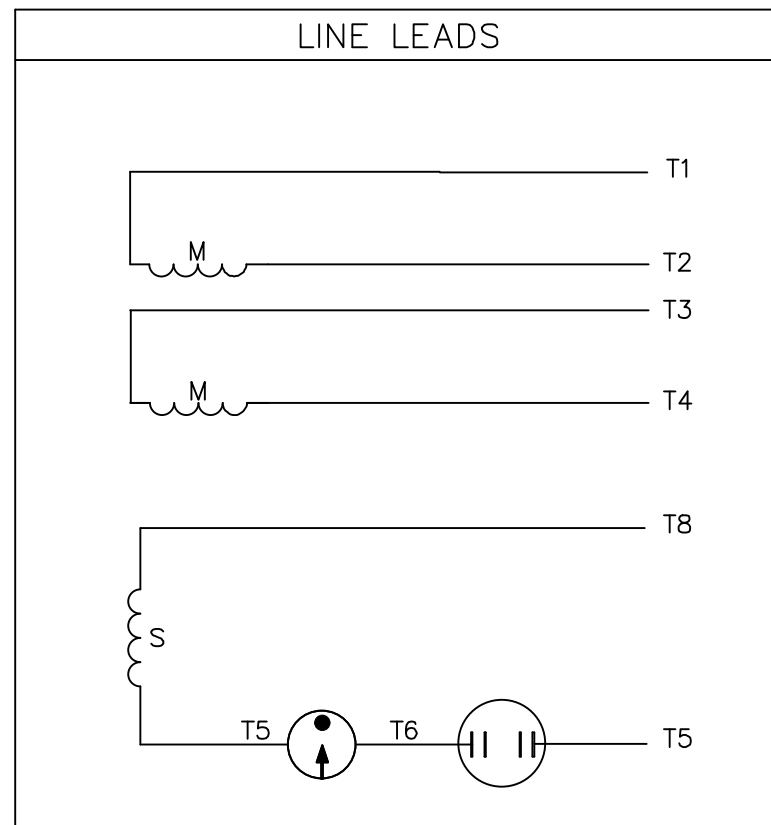
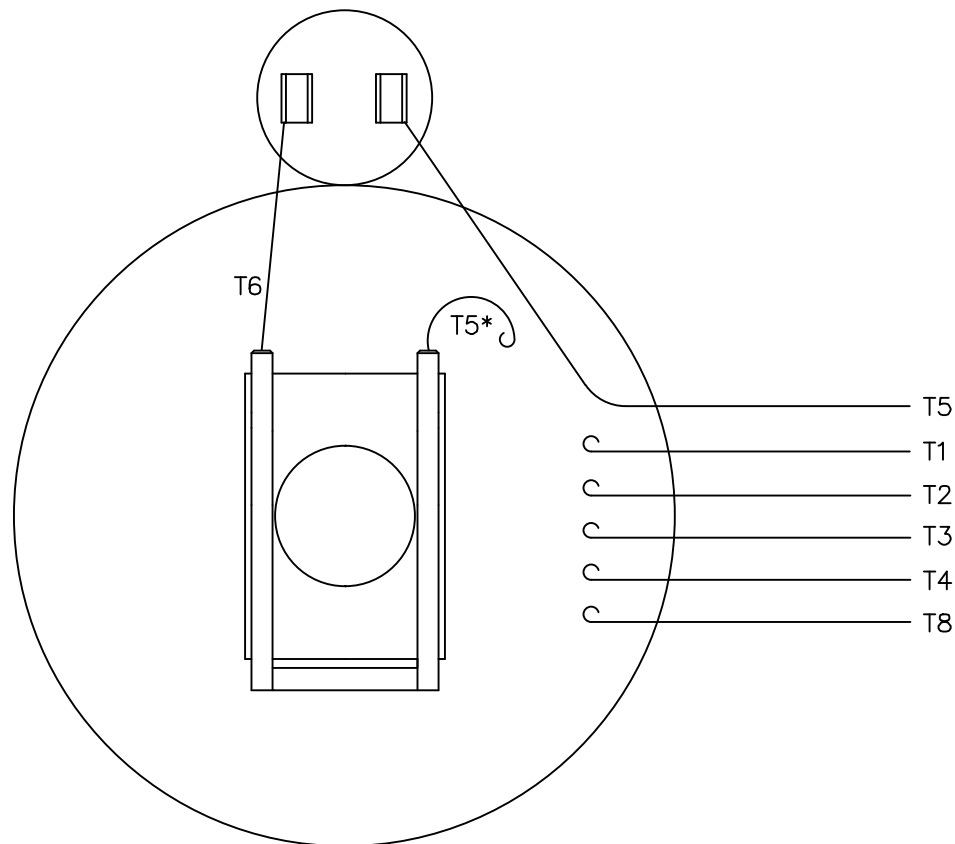
(4) 3/8-16 UNC-2B X .56 DEEP
REQ'D. ON A Ø5.875 B.C.

FRAME	"C"	"AD"
1000	15.95	5.92
1050	16.45	6.42
1100	16.95	6.92
1150	17.45	7.42
1200	17.95	7.92
1250	18.45	8.42

GASKETS THROUGHOUT

NO.	REVISION	BY & DATE	CHK	TOLERANCES UNLESS SPECIFIED		REGAL™ Regal Beloit America, Inc.	DRAWN GR 07/20/12				
				DEC.	INCHES		CHK	VS			
				.X	±.1	TITLE OUTLINE- 180T FRAME DRIP PROOF- RIGID	APPD	SCALE 1=2			
2	UPDATED DE END FRAME VIEW	MVG 11/23/17	SR	.XXX	±.005		REF 035655CY				
1	KEY LENGTH UPDATED	GR 12/04/12	VS	.XXXX	±.0005	MAT'L.	FMF	P228			
				ANG	±1/2°	FINISH	PREV				
THIS DRAWING IN DESIGN AND DETAIL IS OUR PROPERTY AND MUST NOT BE USED EXCEPT IN CONNECTION WITH OUR WORK ALL RIGHTS OF DESIGN AND INVENTION ARE RESERVED THIS IS AN ELECTRONICALLY GENERATED DOCUMENT - DO NOT SCALE THIS PRINT						RFP	CAD FILE	035890CY	SIZE	DRAWING NO.	REV.
						DIST			B	035890CY	2

VIEW FROM OUTSIDE OF MOTOR AT SWITCH END.



	ROTATION FACING LEAD END	L1	L2	JOIN
HIGH VOLT	C.C.W.	T1	T4 T5	T2,T3 T8
	C.W.	T1	T4 T8	T2,T3 T5
LOW VOLT	C.C.W.	T1,T3 T8	T2,T4 T5	---
	C.W.	T1,T3 T5	T2,T4 T8	---

* THIS LEAD MAY BE WHITE

NO.	REVISION	BY & DATE	CHK	ANG	TOLERANCES UNLESS SPECIFIED	
					DEC.	INCHES
					.X	±.1
					.XX	±.01
					.XXX	±.005
					.XXXX	±.0005
					±1/2'	



TITLE	EXT. WIRING DIAGRAM TYPE "C" W/O PROTECTOR	DRAWN	GR 07/23/12
MAT'L.	DECAL - 004012	CHK	VS 07/23/12
FINISH		APPD	
		SCALE	1=1
		REF	005062-01
		FMF	
		PREV	

THIS DRAWING IN DESIGN AND DETAIL IS OUR PROPERTY AND MUST NOT BE USED EXCEPT IN CONNECTION WITH OUR WORK ALL RIGHTS OF DESIGN AND INVENTION ARE RESERVED THIS IS AN ELECTRONICALLY GENERATED DOCUMENT - DO NOT SCALE THIS PRINT		RFP	CAD FILE	00506201CY	SIZE	DRAWING NO.	REV.
		DIST	NLV		A	005062-01CY	