

# PRODUCT INFORMATION PACKET



Model No: M513M2  
Catalog No: M513M2  
30/7.5 HP 2 speed General Purpose Motor, 3 phase, 1800/900 RPM, 460 V, 286T Frame, ODP  
General Purpose Motors



Regal and Century are trademarks of Regal Rexnord Corporation or one of its affiliated companies.  
©2021 Regal Rexnord Corporation, All Rights Reserved. MC017097E





**Nameplate Specifications**

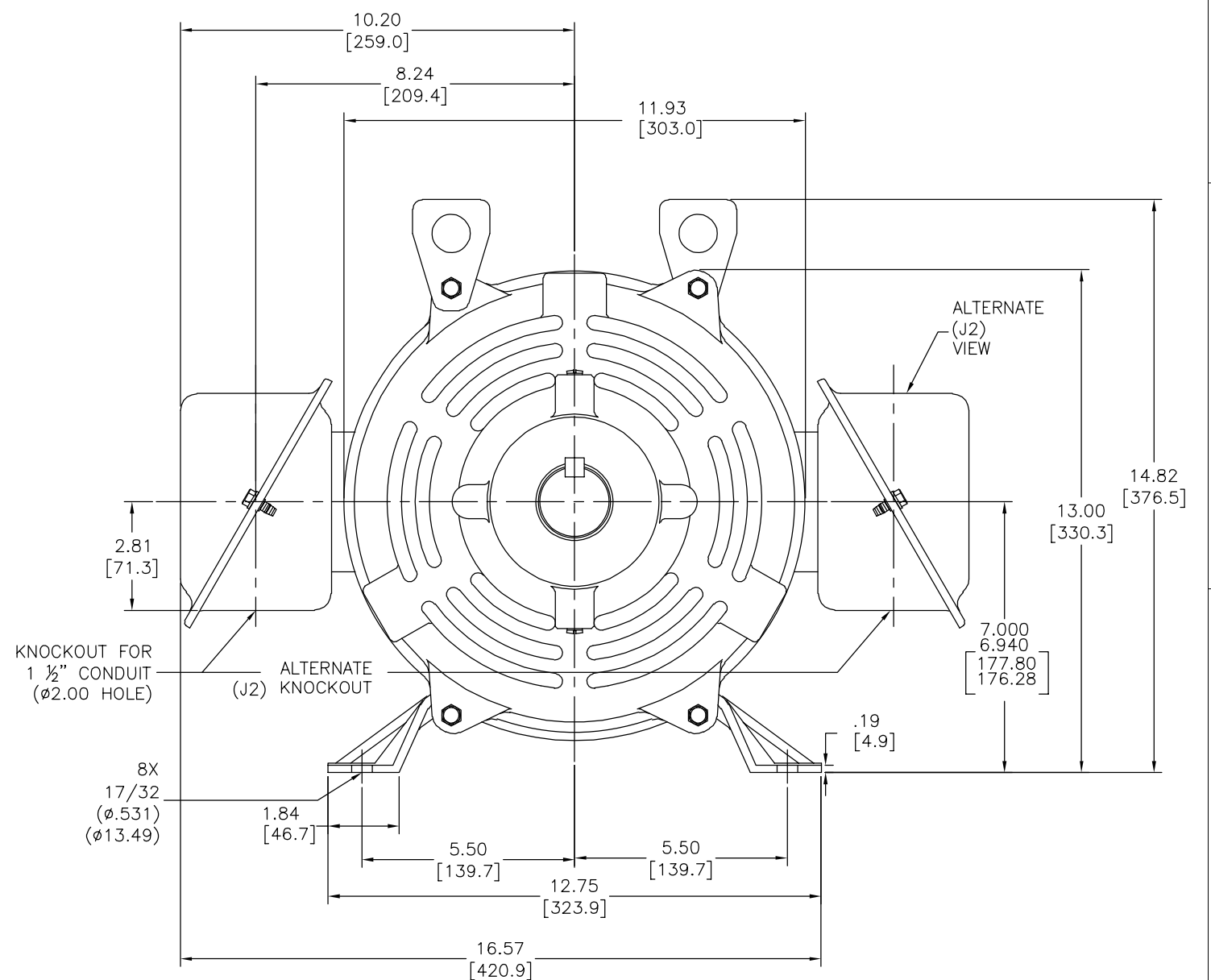
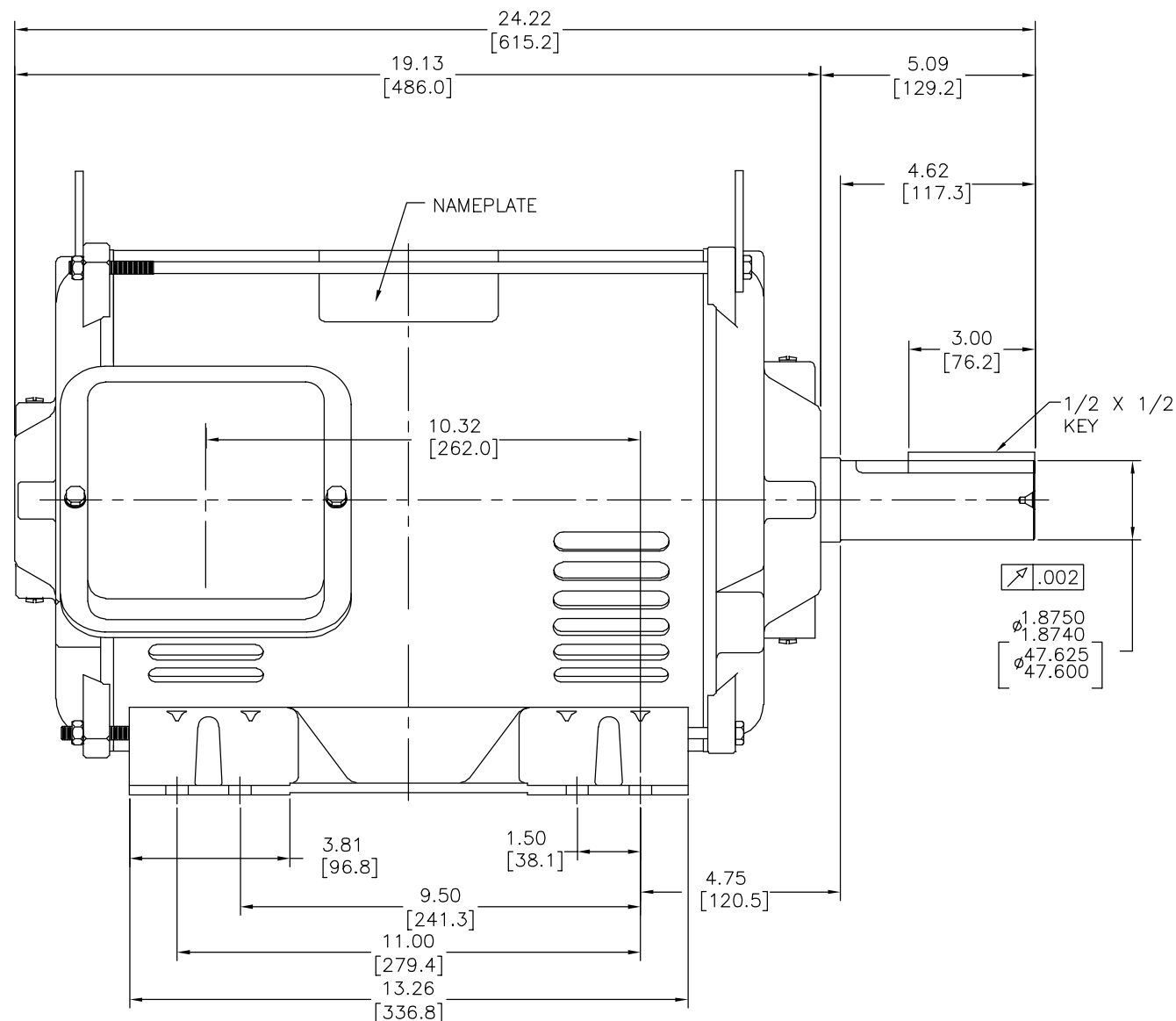
Output HP	<b>30/7.5 Hp</b>	Output KW	<b>22.4 kW</b>
Frequency	<b>60 Hz</b>	Voltage	<b>460 V</b>
Current	<b>35.5/13.5 A</b>	Speed	<b>1740/870 rpm</b>
Service Factor	<b>1.15</b>	Phase	<b>3</b>
Duty	<b>Continuous</b>	Insulation Class	<b>F</b>
Frame	<b>S286T</b>	Enclosure	<b>Drip Proof</b>
Thermal Protection	<b>None</b>	Ambient Temperature	<b>40 °C</b>
UL	<b>Recognized</b>	CSA	<b>Y</b>
CE	<b>N</b>	Number of Speeds	<b>2-1-VT</b>

**Technical Specifications**

Electrical Type	<b>Three Phase</b>	Starting Method	<b>Across The Line</b>
Poles	<b>4/ 8</b>	Rotation	<b>Counterclockwise</b>
Mounting	<b>Rigid Base</b>	Drive End Bearing	<b>Ball</b>
Opp Drive End Bearing	<b>Ball</b>	Frame Material	<b>Rolled Steel</b>
Shaft Type	<b>Keyed</b>	Overall Length	<b>24.22 in</b>
Frame Length	<b>14.00 in</b>	Shaft Diameter	<b>1.875 in</b>
Shaft Extension	<b>5.09 in</b>		
Outline Drawing	<b>18720601-001-S01</b>	Connection Drawing	<b>80022805.PCX</b>

This is an uncontrolled document once printed or downloaded and is subject to change without notice. Date Created:10/12/2021

REV	ECO	REV BY	DATE	APPD	DATE
C	ECO-0025427	T.HUANG	04-18-2012	B.C.SHEN	04-18-2012



- NOTES:
- CONDUIT BOX MAY BE ROTATED IN 90° INCREMENTS.
  - MOTOR IS SUITABLE FOR FIELD CONVERSION FROM AN F1 TO AN F2 CONDUIT BOX LOCATION.
  - MOTOR VENTILATION: AIR INTAKE THROUGH OPENINGS IN THE FACE OF EACH BRACKET AND EXHAUSTED THROUGH THE VENT SLOTS ON EACH END OF THE SHELL.

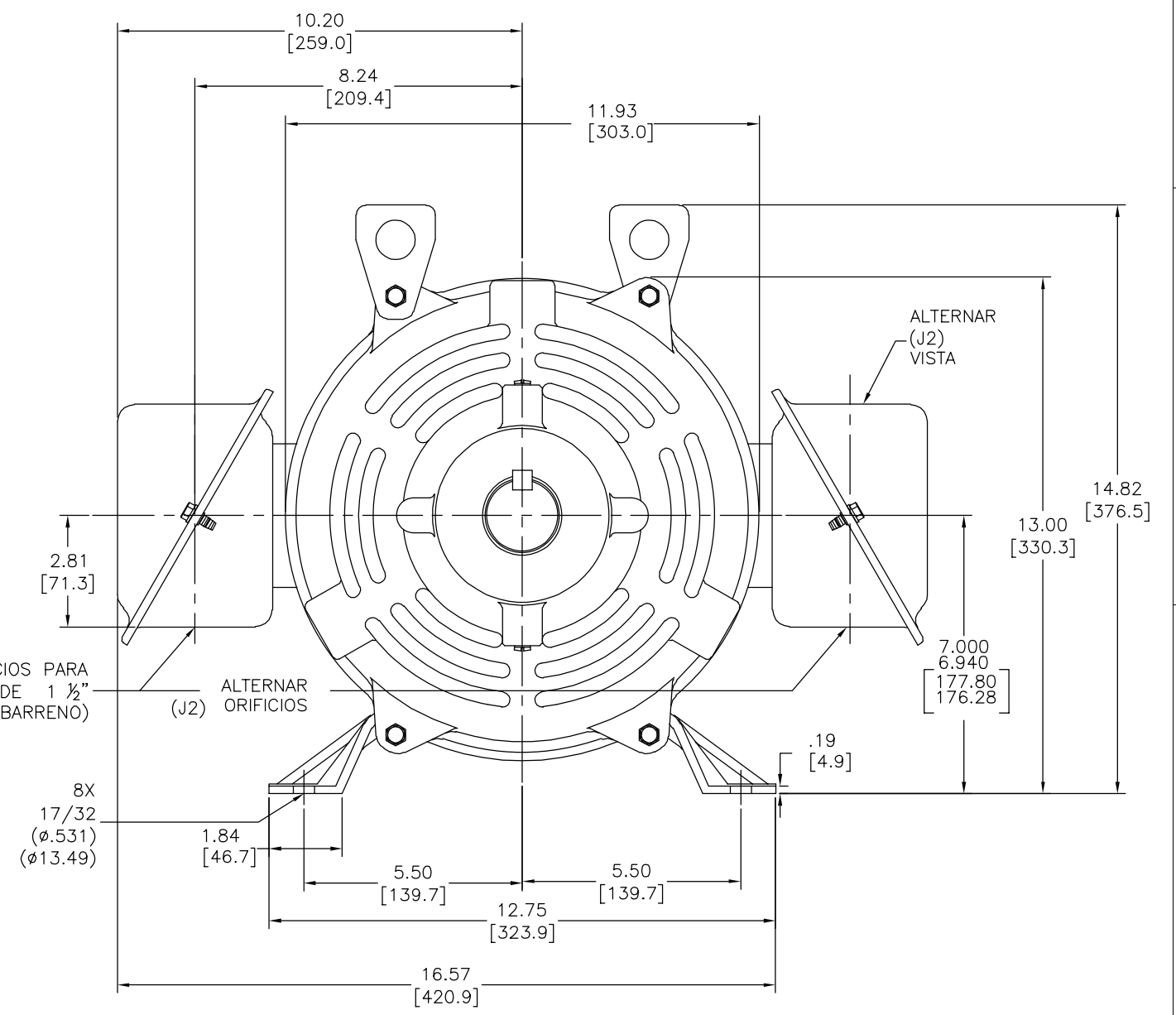
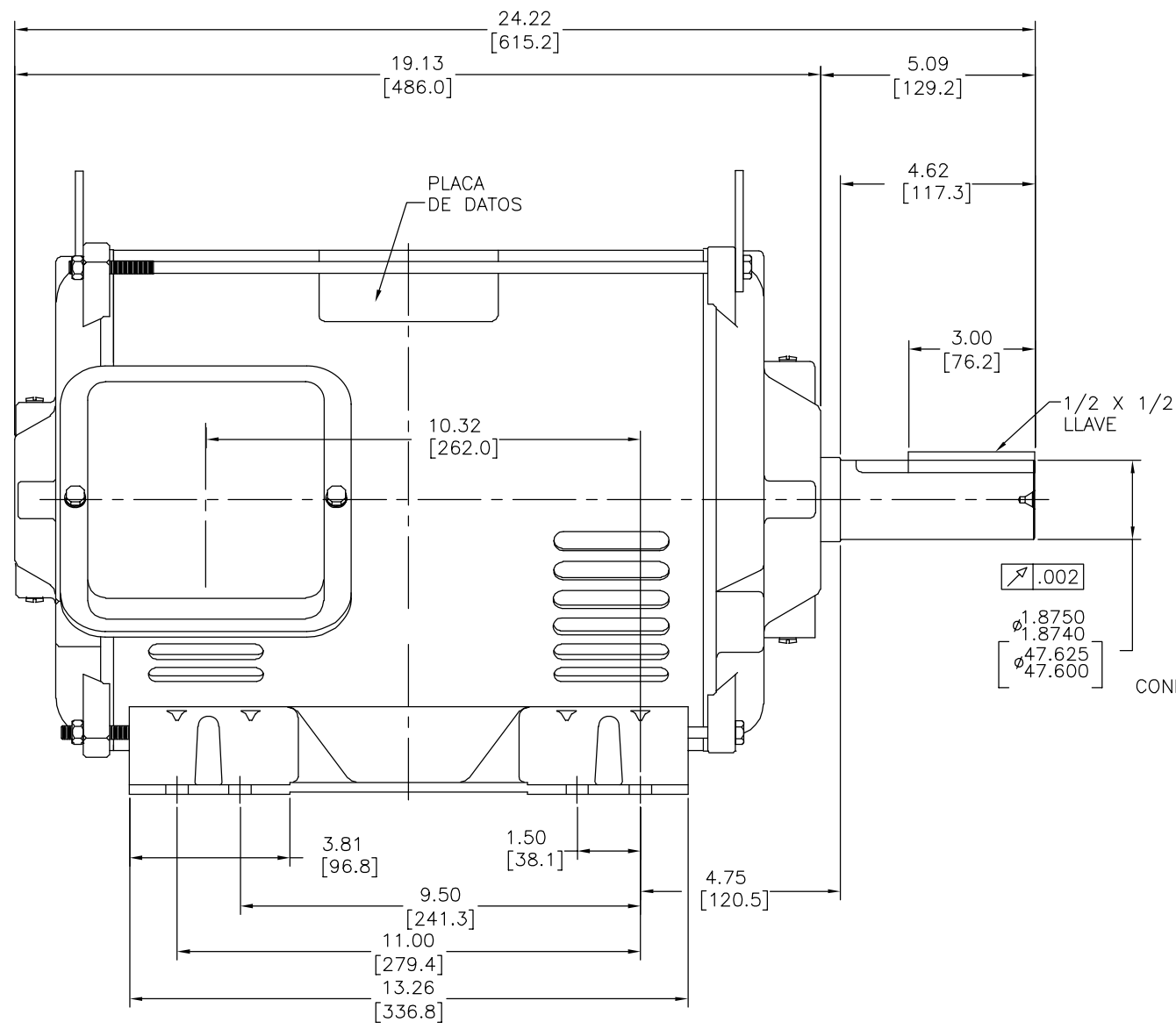
MOTOR DESCRIPTION:

3 PHASE OPEN DRIPPROOF STEEL SHELL 284T OR 286T MOUNTING. OTHER MOUNTING ORIENTATIONS ARE ACCEPTABLE; HOWEVER WHEN MOUNTED OTHER THAN HORIZONTAL; MOTOR WILL NOT BE DRIPPROOF AS DEFINED BY NEMA.

CERTIFICATION OF A.C. MOTORS  
 CERTIFIED FOR \_\_\_\_\_  
 SPEC. NO. \_\_\_\_\_ ORDER NO. \_\_\_\_\_  
 ORDER I.D. \_\_\_\_\_ I.D. NO. \_\_\_\_\_ EMI EMI  
 TYPE \_\_\_\_\_ FRAME \_\_\_\_\_ H.P. \_\_\_\_\_  
 R.P.M. \_\_\_\_\_ VOLTS \_\_\_\_\_ PHASE \_\_\_\_\_  
 HERTZ \_\_\_\_\_ AMPS \_\_\_\_\_ CODE \_\_\_\_\_  
 REMARKS \_\_\_\_\_  
 APPROVED BY \_\_\_\_\_ DATE: \_\_\_\_\_

GEOMETRIC CHARACTERISTICS & SYMBOLS ▽ FLATNESS — STRAIGHTNESS ∠ ANGULARITY ⊥ PERPENDICULARITY (SQUARENESS) // PARALLELISM ○ ROUNDNESS (CIRCULARITY) ⌀ CYLINDRICITY ≡ PROFILE OF ANY SURFACE ∩ PROFILE OF ANY LINE ↗ RUNOUT ⊕ TRUE POSITION ⊙ CONCENTRICITY = SYMMETRY	UNLESS OTHERWISE SPECIFIED DIM. TOLERANCES ARE AS FOLLOWS: INCH ±.1 ±.02 ±.005 ±.0005 mm ±0.5 ±0.13 ±0.013 ANG. ±.50 DEG REMOVE BURRS & BREAK SHARP EDGES: INCH .003-.015 CORNER FILLETS TO: INCH .020 mm 0.5 MACHINE SURFACES: INCH 125 mm 3.2	DR BY: AJB	01-14-2004	REGAL-BELOIT CORPORATION DESCRIPTION OUTLINE S284T/S286T ODP EE STD SIZE D DWG NO 18720601-001 SCALE NONE SHEET 1
		APPD: JAS	01-14-2004	

REVISION: ECO	REVISADO POR: T.HUANG	FECHA: 04-18-2012	APROBADO POR: B.C.SHEN	FECHA: 04-18-2012
C	ECO-0025427			



NOTAS:

1. CAJA DE CONDUCTORES PUEDER ROTARSE EN INCREMENTOS DE 90°
2. EL MOTOR ES EL ADECUADO PARA CONVERSION DE CAMPOS DESDE LA UBICACION AN F1 Y AN F2
3. VENTILACION DE MOTOR: LA ENTRADA DE AIRE ES A TRAVEZ DE LOS ORIFICIOS EN LA CARA DE CADA TAPA Y EXTRAIDA A TRAVEZ DE LAS RANURAS DE VENTILACION AL FINAL DE CADA CARCAZA

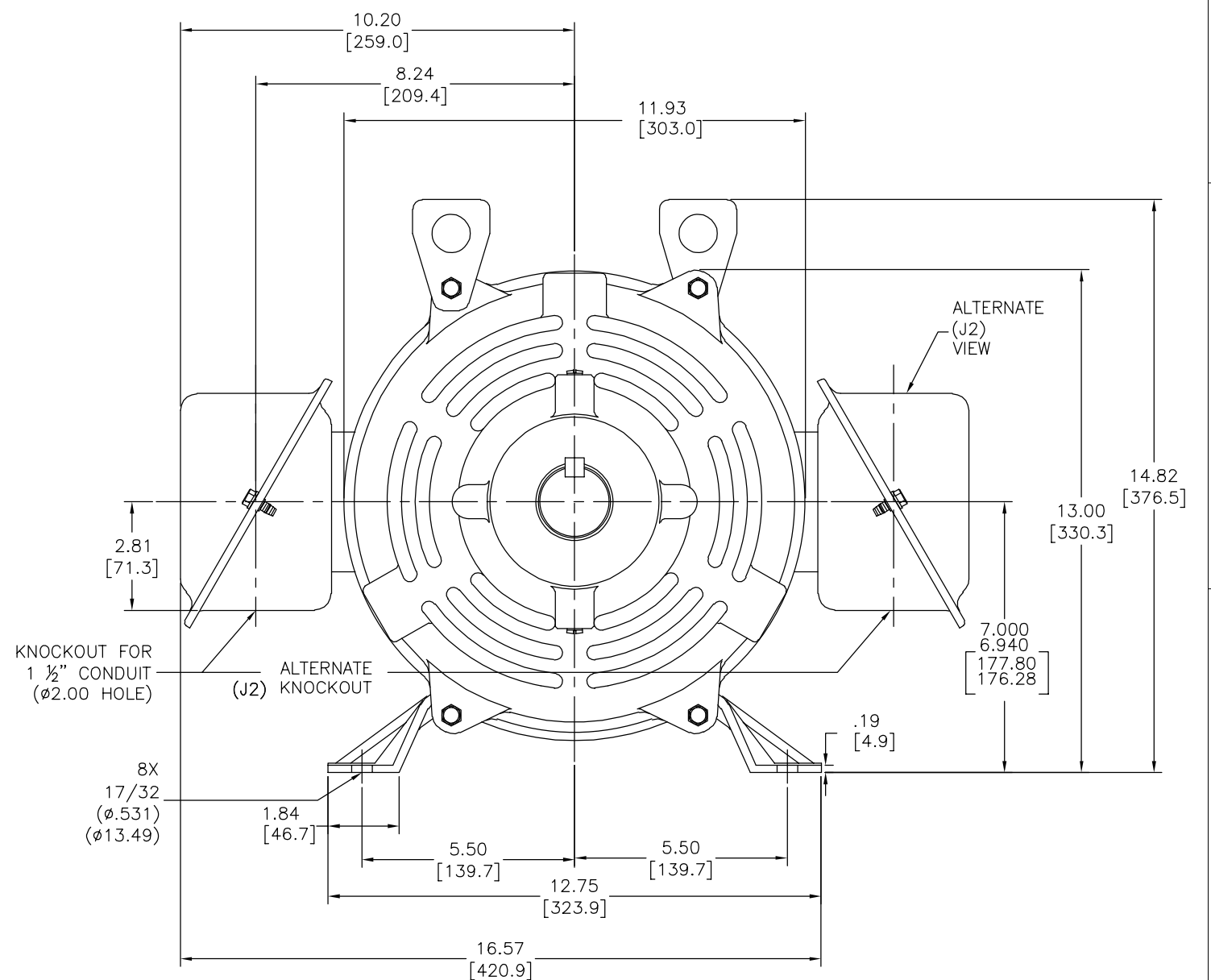
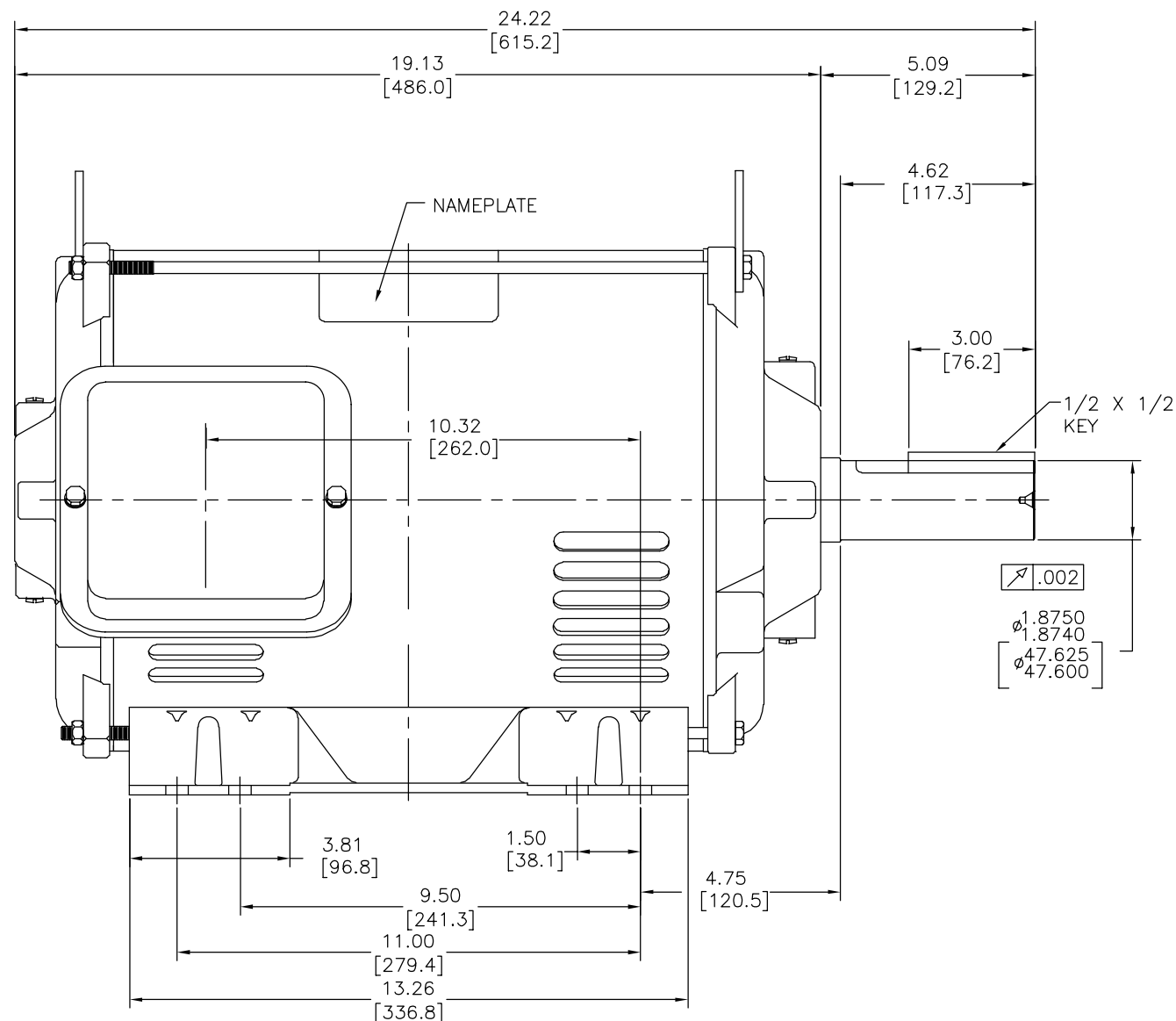
DESCRIPCION DEL MOTOR:

ESCUDO 284T DE ACERO A PRUEBA DE GOTEIO CON 3 FASES ABIERTAS. OTRO TIPO DE OPERACIONES DE MONTAGE ES ACEPTABLE; SIN EMBARGO CUANDO SEA MONTADO DE CUALQUIER OTRA FORMA MENOS HORIZONTALMENTE NO SERA A PRUEBA DE GOTEIO COMO NEMA LO DEFINE.

CERTIFICATION OF A.C. MOTORS  
 CERTIFIED FOR  
 SPEC. NO. \_\_\_\_\_ ORDER NO. \_\_\_\_\_  
 ORDER I.D. \_\_\_\_\_ I.D. NO. \_\_\_\_\_ EMI EMI  
 TYPE \_\_\_\_\_ FRAME \_\_\_\_\_ H.P. \_\_\_\_\_  
 R.P.M. \_\_\_\_\_ VOLTS \_\_\_\_\_ PHASE \_\_\_\_\_  
 HERTZ \_\_\_\_\_ AMPS \_\_\_\_\_ CODE \_\_\_\_\_  
 REMARKS \_\_\_\_\_  
 APPROVED BY \_\_\_\_\_ DATE: \_\_\_\_\_

CARACTERISTICAS DE GEOMETRIA Y SIMBOLOS: □ PLANICIDAD — RECTITUD ∠ ANGULARIDAD ⊥ PERPENDICULARIDAD (A ESCUADRA) // PARALELISMO ○ REDONDEZ (CIRCULARIDAD) R CILINDRICIDAD ≡ PERFIL DE CUALQUIER SUPERFICIE ˆ PERFIL DE CUALQUIER LINEA ↗ VARIACION ⊕ POSICION REAL ⊙ CONCENTRICIDAD = SIMETRIA	A MENOS QUE SE ESPECIFIQUE DE OTRA MANERA, LAS TOLERANCIAS DE LAS DIMS, SON LAS SIGUIENTES: PULG ±.1 ±.02 ±.005 ±.0005 mm ±0.5 ±0.13 ±0.013 ANG. ±50 GRADOS ELIMINAR REBABAS Y ORILLAS FILOSAS DEL BORDE. PULG .003-.015 mm 0.1-0.4 FILETEAR ESQUINA: PULG .020 mm 0.5 MAQUINAR SUPERFICIES PULG 125 mm 3.2 DIMS METRICAS MOSTRADAS [PARENTESIS]	DIBUJADO POR: AJJ	01-14-2004	DESCRIPCION: OUTLINE S284T/S286T ODP EE STD TAMAÑO: D NUMERO DE DIBUJO: 18720601-001 ESCALA: NONE HOJA: 1
		APROBADO POR: JAS	01-14-2004	

版本	ECO	编制	日期	批准	日期
C	ECO-0025427	T.HUANG	04-18-2012	B.C.SHEN	04-18-2012



- NOTES:
1. CONDUIT BOX MAY BE ROTATED IN 90° INCREMENTS.
  2. MOTOR IS SUITABLE FOR FIELD CONVERSION FROM AN F1 TO AN F2 CONDUIT BOX LOCATION.
  3. MOTOR VENTILATION: AIR INTAKE THROUGH OPENINGS IN THE FACE OF EACH BRACKET AND EXHAUSTED THROUGH THE VENT SLOTS ON EACH END OF THE SHELL.

MOTOR DESCRIPTION:

3 PHASE OPEN DRIPPROOF STEEL SHELL 284T OR 286T MOUNTING. OTHER MOUNTING ORIENTATIONS ARE ACCEPTABLE; HOWEVER WHEN MOUNTED OTHER THAN HORIZONTAL; MOTOR WILL NOT BE DRIPPROOF AS DEFINED BY NEMA.

CERTIFICATION OF A.C. MOTORS  
 CERTIFIED FOR \_\_\_\_\_  
 SPEC. NO. \_\_\_\_\_ ORDER NO. \_\_\_\_\_  
 ORDER I.D. \_\_\_\_\_ I.D. NO. \_\_\_\_\_ EMI EMI  
 TYPE \_\_\_\_\_ FRAME \_\_\_\_\_ H.P. \_\_\_\_\_  
 R.P.M. \_\_\_\_\_ VOLTS \_\_\_\_\_ PHASE \_\_\_\_\_  
 HERTZ \_\_\_\_\_ AMPS \_\_\_\_\_ CODE \_\_\_\_\_  
 REMARKS \_\_\_\_\_  
 APPROVED BY \_\_\_\_\_ DATE: \_\_\_\_\_

形位公差	除另有注明	绘图:	AJB	01-14-2004
尺寸公差如下:	尺寸公差如下:	批准:	JAS	01-14-2004
英寸 ±.1 ±.02 ±.005 ±.0005	英寸 .003-.015 毫米 0.1-0.4	第三角投影		图底格式发布日期 11-11-2011
毫米 ±0.5 ±0.13 ±0.013	内圆角			图底格式版本 G
角度 ±.50 度	表面粗糙度	机密: 本图纸及相关信息所有权归REGAL-BELOIT CORPORATION 未经REGAL-BELOIT CORPORATION书面授权, 不得泄露、 复制、传播或作其他用途。—版权所有		
清理毛刺和尖棱	英制 125 米制 3.2	图号	D	18720601-001
英寸 .020 毫米 0.5	米制尺寸显示在 [ ]	比例	NONE	页号 1
同轴度				
对称度				

ASME Y14.5M 1994



OUTLINE  
S284T/S286T ODP EE STD