

PRODUCT INFORMATION PACKET



Model No: M320M2

Catalog No: M320M2

General Purpose Motor, 5/2.22 HP, 3 Ph, 60 Hz, 200-230 V, 1800 RPM, 215T Frame, ODP



Regal and Century are trademarks of Regal Rexnord Corporation or one of its affiliated companies.

©2022 Regal Rexnord Corporation, All Rights Reserved. MC017097E





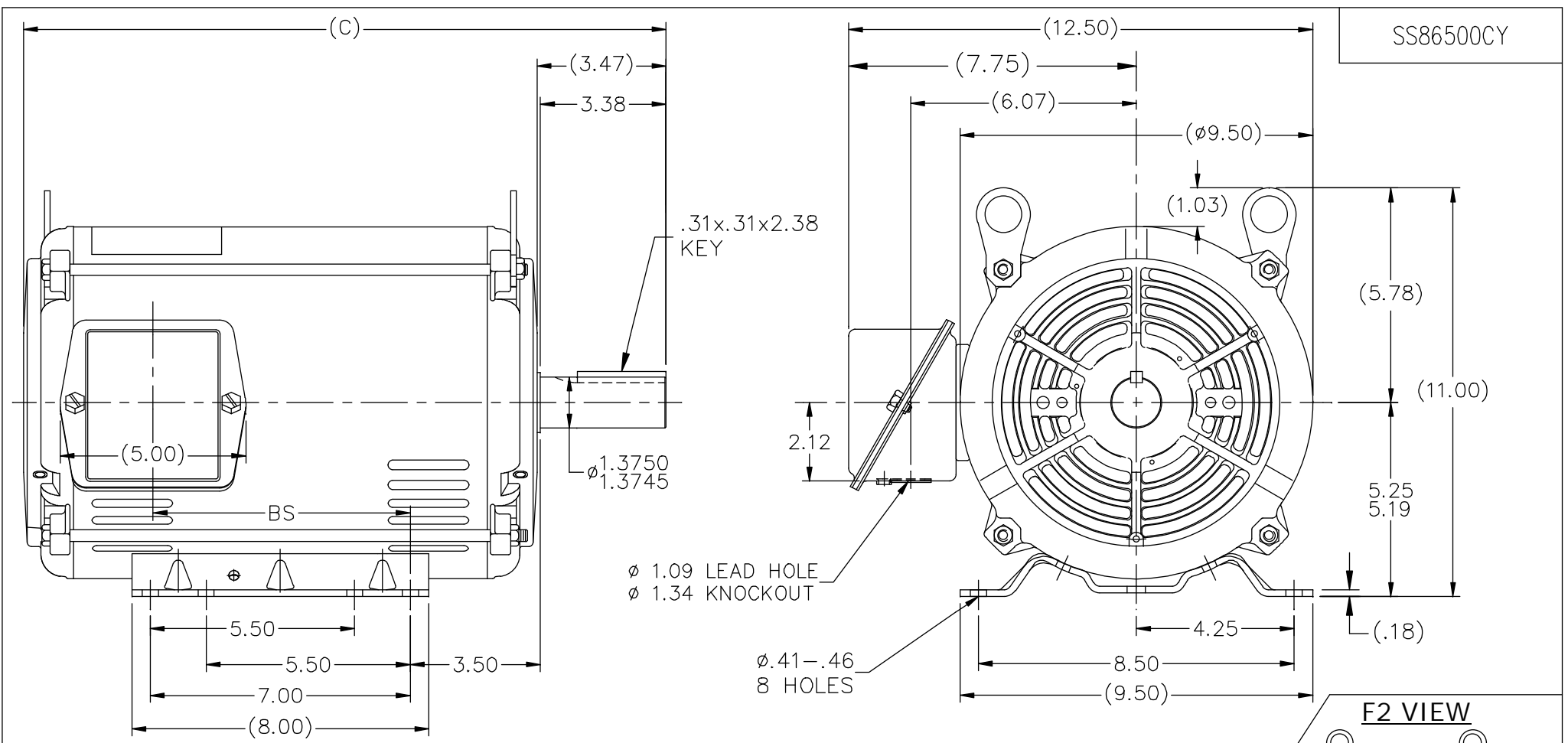
Nameplate Specifications

Output HP	5/2.22 Hp	Output KW	3.7 kW
Frequency	60 Hz	Voltage	200-230 V
Current	14.5-14/7.8-7.4 A	Speed	1775/1175 rpm
Service Factor	1.15	Phase	3
Duty	Continuous	Insulation Class	F
Frame	215T	Enclosure	Open Drip Proof
Thermal Protection	No Protection	Ambient Temperature	40 °C
UL	Recognized	CSA	Y
CE	Y	Number of Speeds	2

Technical Specifications

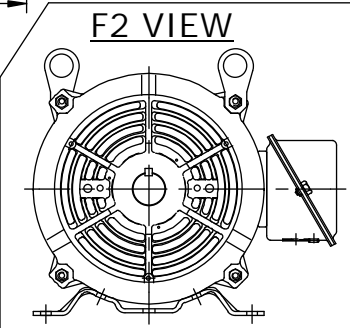
Electrical Type	POLYPHASE	Starting Method	Across The Line
Poles	4/6	Rotation	Clockwise
Mounting	Rigid Base	Drive End Bearing	Ball
Opp Drive End Bearing	Ball	Frame Material	Rolled Steel
Shaft Type	Keyed	Overall Length	17.30 in
Frame Length	11.15 in	Shaft Diameter	1.375 in
Shaft Extension	3.47 in		
Connection Drawing	A-EE7317-CY	Outline Drawing	SS86500CY

This is an uncontrolled document once printed or downloaded and is subject to change without notice. Date Created:11/28/2022



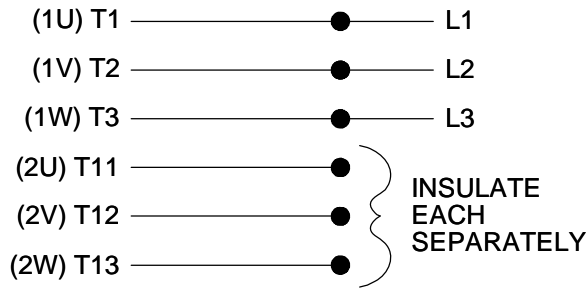
DASH	FR.	C	BS	MOUNTING
965	213T	15.80	5.43	F1 / F2
1115	213/15T	17.30	6.93	F1 / F2
1240	213/15T	18.55	8.18	F1 ONLY
1545	213/15T	21.06	11.23	F1 ONLY

- NOTES:
1. NAMEPLATE TO BE READ FROM C'BOX SIDE OF MOTOR.
 2. BOX CAN BE MOUNTED IN 90° STEPS.
 3. BOX CAN BE MOUNTED ON OPPOSITE SIDE BY REMOVING BRACKETS AND TURNING FRAME 180°. (EXCEPT AS NOTED.)

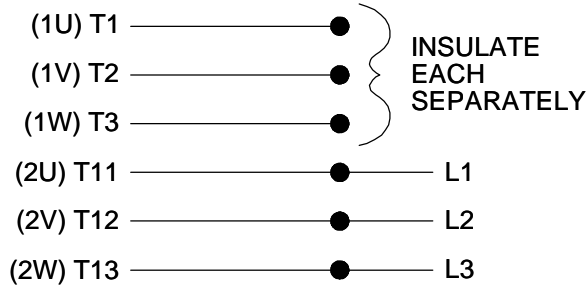


		TOLERANCES UNLESS SPECIFIED		Century		DRAWN GR 03/08/12	
		DEC.	INCHES			CHK ST 03/08/12	
		.X	±.1			APPD	
03	F1/F2 NOTE ADDED FOR 1115 FRAME DASH VALUE	GR 12/13/12	SR .XX	±.03	TITLE OUTLINE	SCALE 1=4	
02	1545 DASH VALUE'S ADDED IN TABLE	GR 07/27/12	SR .XXX	±.005	210 FR. - BB - TS - DR. PR.	REF SS86500	
01	965 DASH VALUE'S ADDED IN TABLE	UD 07/12/12	SR .XXXX	±.0005	MAT'L.	FMF	
NO.	REVISION	BY & DATE	CHK ANG	±7'30"	FINISH	PREV	
THIS DRAWING IN DESIGN AND DETAIL IS OUR PROPERTY AND MUST NOT BE USED EXCEPT IN CONNECTION WITH OUR WORK ALL RIGHTS OF DESIGN AND INVENTION ARE RESERVED THIS IS AN ELECTRONICALLY GENERATED DOCUMENT - DO NOT SCALE THIS PRINT		RFP	CAD FILE SS86500CY		SIZE	DRAWING NO.	PAGE 1 OF 1
		DIST			A	SS86500CY	REV. 03

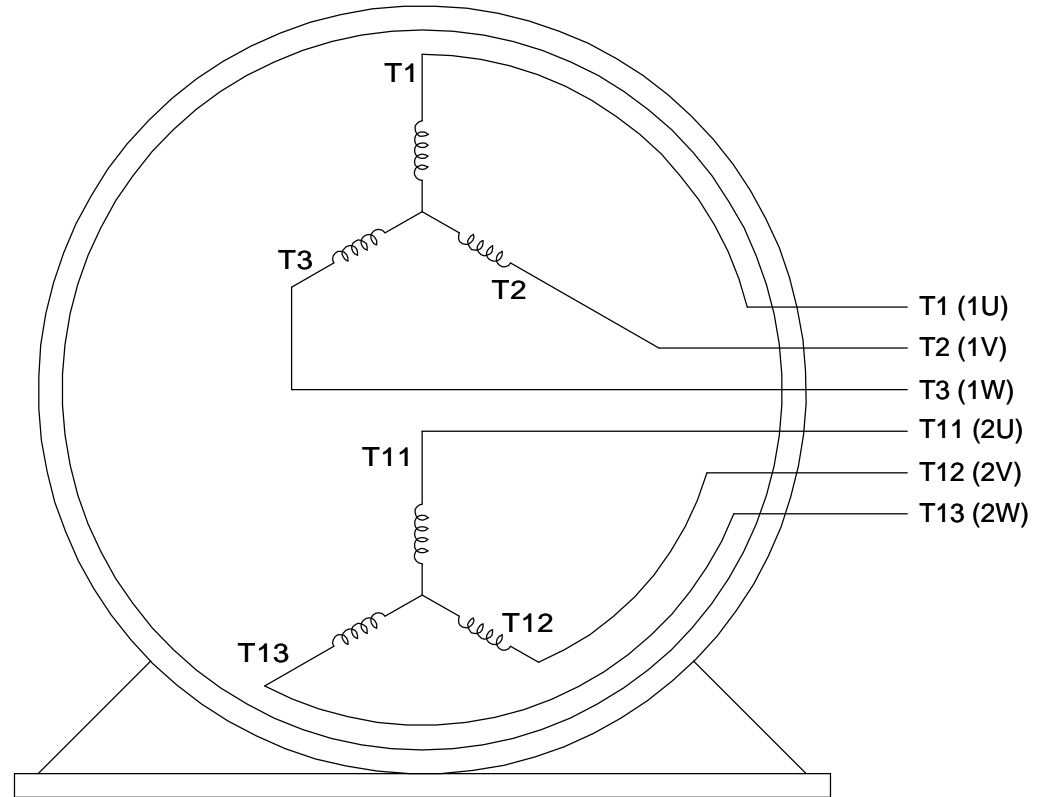
LOW SPEED



HIGHSPEED



**THREE PHASE, SINGLE VOLT, 6 LEAD
2 SPEED REVERSIBLE MOTOR**



VIEW OF TERMINAL END

TO REVERSE ROTATION ON
EITHER SPEED: INTERCHANGE
ANY 2 LEADS ON THE
WINDING IN USE.

DRAWING REVISION C	REVISION BY JJB	DATE 10-25-2017		DRAWN BY LZ	Regal Beloit America, Inc.
ECO ECO-0132917	APPROVED BY TLB	DATE 10-30-2017		DATE 01-05-1994	
ECO DESCRIPTION REVISED PER ECO & UPDATED TO STANDARDS				APPROVED BY GK	DESCRIPTION CONN DIAGRAM-INTERNAL
<small>COPYRIGHT REGAL BELOIT AMERICA, INC. ALL RIGHTS RESERVED. PROPRIETARY AND CONFIDENTIAL INFORMATION - THIS DOCUMENT IS THE PROPERTY OF REGAL BELOIT AMERICA, INC. ("OWNER") AND CONTAINS OWNER'S PROPRIETARY INFORMATION. ANY PERSON, CORPORATION OR OTHER FIRM RECEIVING IT IS DEEMED, BY RECEIVING IT, TO AGREE THAT IT, AND/OR ANY PART OF IT, SHALL NOT BE DISCLOSED TO ANY PERSON, CORPORATION OR OTHER ENTITY, DUPLICATED, AND/OR USED, EXCEPT AS EXPRESSLY APPROVED IN WRITING IN ADVANCE BY OWNER. THIS DOCUMENT SHALL BE RETURNED TO OWNER UPON REQUEST. IT MAY BE SUBJECT TO CERTAIN RESTRICTIONS UNDER APPLICABLE EXPORT CONTROL LAWS AND REGULATIONS.</small>				DATE 01-17-1994	3 PHASE - SINGLE - 2 SPEED REVERSIBLE
			REFERENCE	MATERIAL	PROCESS/FINISH
			THIRD ANGLE PROJECTION	SIZE A	DRAWING NUMBER EE7317