

# PRODUCT INFORMATION PACKET



Model No: M317M2

Catalog No: M317M2

7.5/3.3 HP 2 speed General Purpose Motor, 3 phase, 1800/1200 RPM, 200-230 V, 215T Frame, ODP  
General Purpose Motors



Regal and Century are trademarks of Regal Rexnord Corporation or one of its affiliated companies.  
©2021 Regal Rexnord Corporation, All Rights Reserved. MC017097E





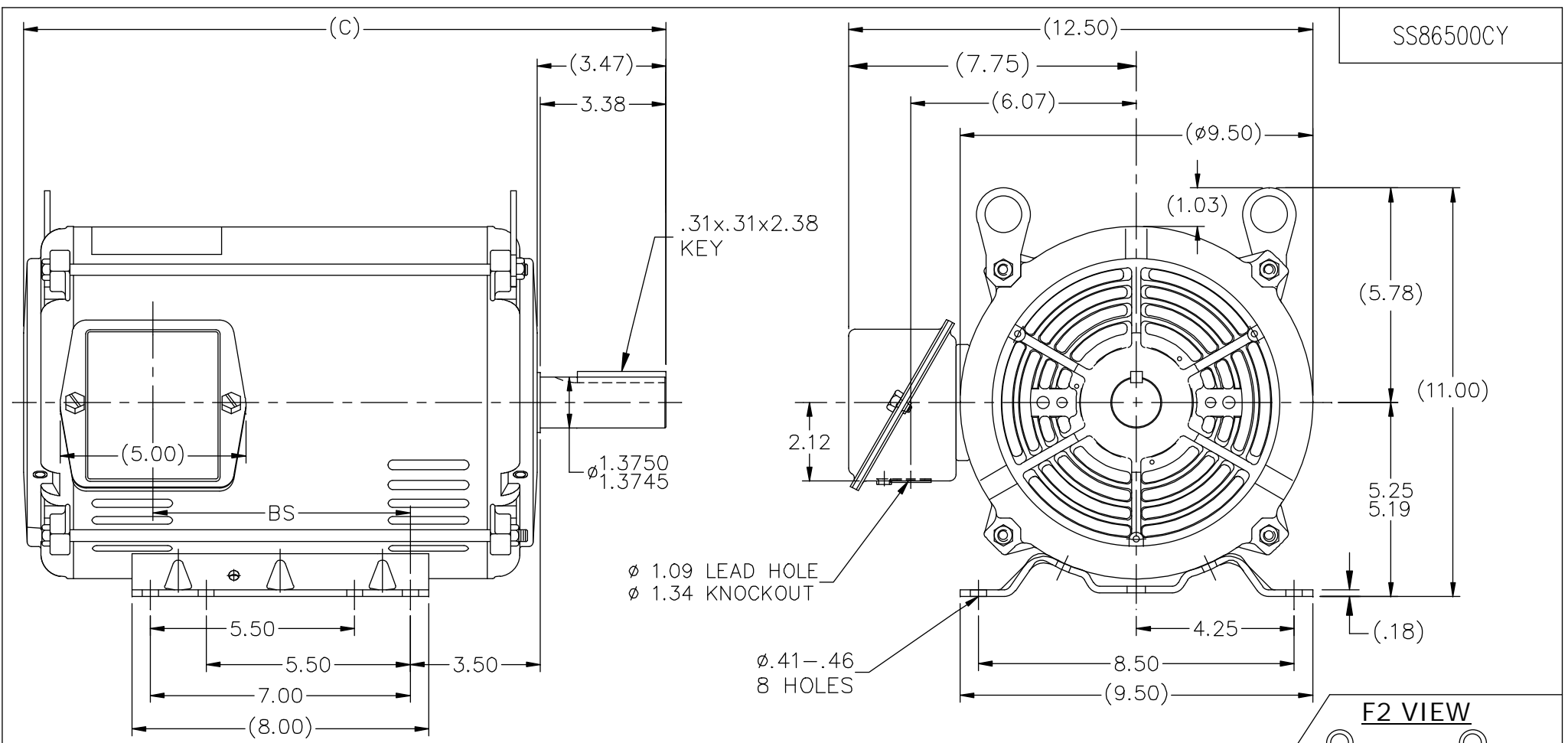
### Nameplate Specifications

Output HP	7.5/3.3 Hp	Output KW	5.6 kW
Frequency	60 Hz	Voltage	200-230 V
Current	20.3-18/10.8-9.6 A	Speed	1770/1180 rpm
Service Factor	1.15	Phase	3
Duty	Continuous	Insulation Class	F
Frame	215T	Enclosure	Drip Proof
Thermal Protection	No	Ambient Temperature	40 °C
UL	Recognized	CSA	Y
CE	Y	Number of Speeds	2

### Technical Specifications

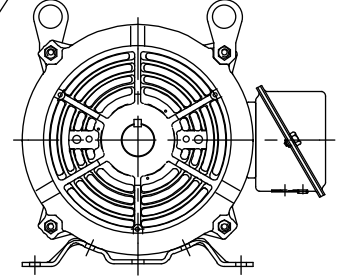
Electrical Type	Polyphase	Starting Method	Across The Line
Poles	4/6	Rotation	Reversible
Mounting	Rigid Base	Drive End Bearing	Ball
Opp Drive End Bearing	Ball	Frame Material	Rolled Steel
Shaft Type	Keyed	Overall Length	21.06 in
Frame Length	15.45 in	Shaft Diameter	1.375 in
Shaft Extension	3.47 in		
Outline Drawing	SS86500CY	Connection Drawing	A-EE7317-CY

This is an uncontrolled document once printed or downloaded and is subject to change without notice. Date Created:10/12/2021



SS86500CY

F2 VIEW



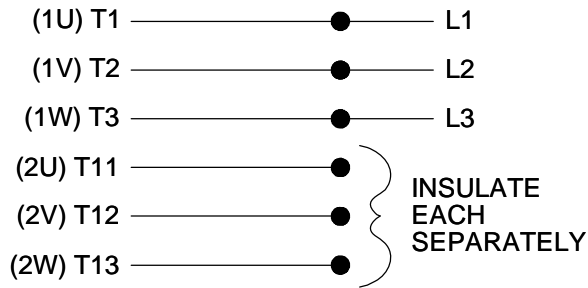
NOTES:

1. NAMEPLATE TO BE READ FROM C'BOX SIDE OF MOTOR.
2. BOX CAN BE MOUNTED IN 90° STEPS.
3. BOX CAN BE MOUNTED ON OPPOSITE SIDE BY REMOVING BRACKETS AND TURNING FRAME 180°. (EXCEPT AS NOTED.)

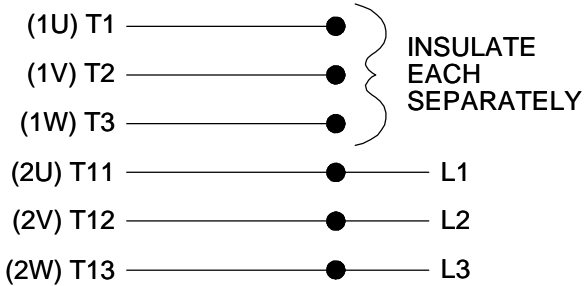
DASH	FR.	C	BS	MOUNTING
965	213T	15.80	5.43	F1 / F2
1115	213/15T	17.30	6.93	F1 / F2
1240	213/15T	18.55	8.18	F1 ONLY
1545	213/15T	21.06	11.23	F1 ONLY

		TOLERANCES UNLESS SPECIFIED				DRAWN GR 03/08/12	
		DEC.	INCHES			CHK ST 03/08/12	APPD
		.X	±.1				
03	F1/F2 NOTE ADDED FOR 1115 FRAME DASH VALUE	GR 12/13/12	SR .XX	±.03	TITLE OUTLINE		SCALE 1=4
02	1545 DASH VALUE'S ADDED IN TABLE	GR 07/27/12	SR .XXX	±.005	210 FR. - BB - TS - DR. PR.		REF SS86500
01	965 DASH VALUE'S ADDED IN TABLE	UD 07/12/12	SR .XXXX	±.0005	MAT'L.		FMF
NO.	REVISION	BY & DATE	CHK ANG	±7'30"	FINISH		PREV
THIS DRAWING IN DESIGN AND DETAIL IS OUR PROPERTY AND MUST NOT BE USED EXCEPT IN CONNECTION WITH OUR WORK ALL RIGHTS OF DESIGN AND INVENTION ARE RESERVED THIS IS AN ELECTRONICALLY GENERATED DOCUMENT - DO NOT SCALE THIS PRINT				RFP	CAD FILE SS86500CY	SIZE A	DRAWING NO. PAGE 1 OF 1 REV. SS86500CY 03
				DIST			

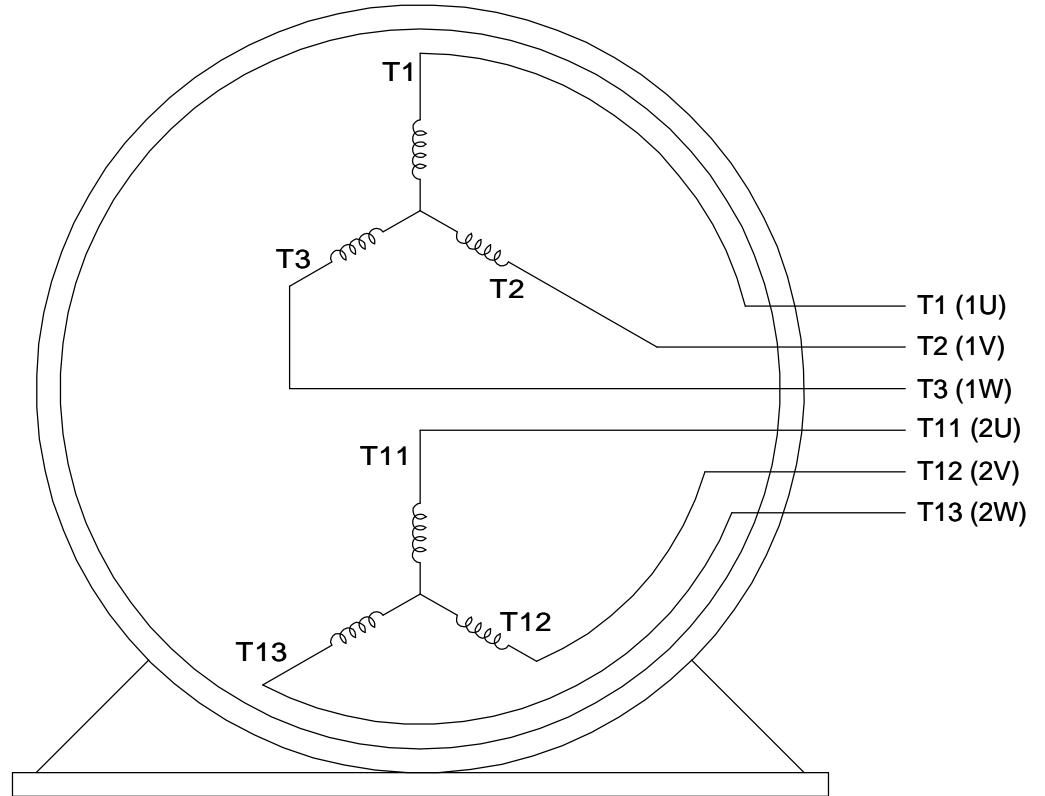
LOW SPEED



HIGHSPEED



**THREE PHASE, SINGLE VOLT, 6 LEAD  
2 SPEED REVERSIBLE MOTOR**

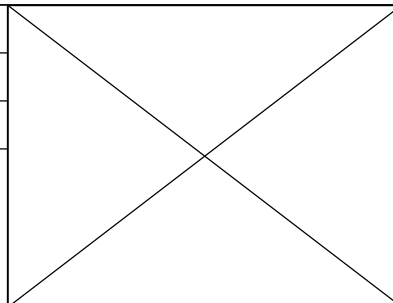


VIEW OF TERMINAL END

TO REVERSE ROTATION ON  
EITHER SPEED: INTERCHANGE  
ANY 2 LEADS ON THE  
WINDING IN USE.

DRAWING REVISION <b>C</b>	REVISION BY <b>JJB</b>	DATE <b>10-25-2017</b>
ECO <b>ECO-0132917</b>	APPROVED BY <b>TLB</b>	DATE <b>10-30-2017</b>

**ECO DESCRIPTION**  
**REVISED PER ECO & UPDATED TO STANDARDS**  
COPYRIGHT REGAL BELOIT AMERICA, INC. ALL RIGHTS RESERVED.  
 PROPRIETARY AND CONFIDENTIAL INFORMATION - THIS DOCUMENT IS THE PROPERTY OF  
 REGAL BELOIT AMERICA, INC. ("OWNER") AND CONTAINS OWNER'S PROPRIETARY  
 INFORMATION. ANY PERSON, CORPORATION OR OTHER FIRM RECEIVING IT IS DEEMED,  
 BY RECEIVING IT, TO AGREE THAT IT, AND/OR ANY PART OF IT, SHALL NOT BE DISCLOSED  
 TO ANY PERSON, CORPORATION OR OTHER ENTITY, DUPLICATED, AND/OR USED, EXCEPT  
 AS EXPRESSLY APPROVED IN WRITING IN ADVANCE BY OWNER. THIS DOCUMENT SHALL  
 BE RETURNED TO OWNER UPON REQUEST. IT MAY BE SUBJECT TO CERTAIN  
 RESTRICTIONS UNDER APPLICABLE EXPORT CONTROL LAWS AND REGULATIONS.



DRAWN BY <b>LZ</b>
DATE <b>01-05-1994</b>
APPROVED BY <b>GK</b>
DATE <b>01-17-1994</b>
REFERENCE
THIRD ANGLE PROJECTION

<b>Regal Beloit America, Inc.</b>	
DESCRIPTION <b>CONN DIAGRAM-INTERNAL</b> 3 PHASE - SINGLE - 2 SPEED REVERSIBLE	
MATERIAL	PROCESS/FINISH
SIZE <b>A</b>	DRAWING NUMBER <b>EE7317</b>
SHEET <b>1 OF 1</b>	