

# PRODUCT INFORMATION PACKET



Model No: M314M2  
Catalog No: M314M2  
5/1.25 HP 2 speed General Purpose Motor, 3 phase, 1800/900 RPM, 460 V, 215T Frame, ODP  
General Purpose Motors



Regal and Century are trademarks of Regal Rexnord Corporation or one of its affiliated companies.  
©2021 Regal Rexnord Corporation, All Rights Reserved. MC017097E





**Nameplate Specifications**

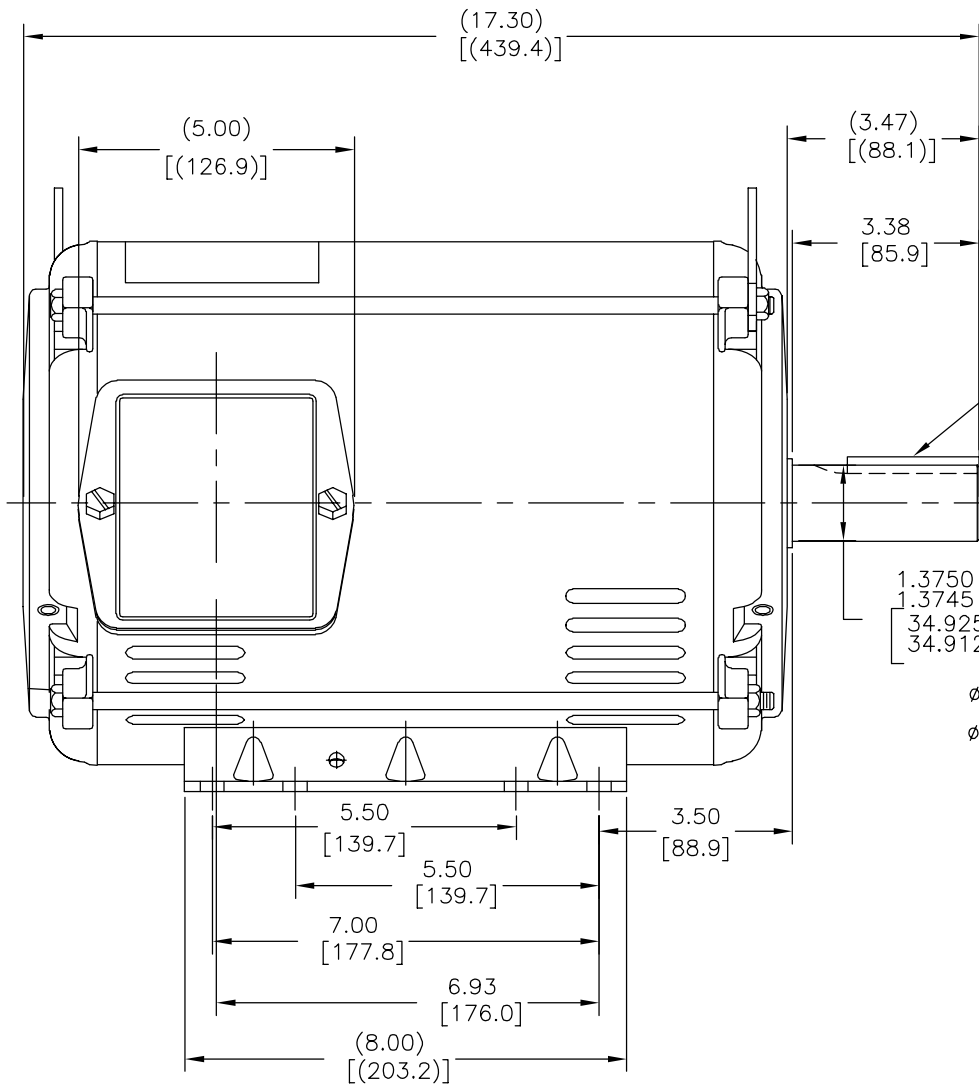
Output HP	<b>5/1.25 Hp</b>	Output KW	<b>3.7 kW</b>
Frequency	<b>60 Hz</b>	Voltage	<b>460 V</b>
Current	<b>6.8/3.1 A</b>	Speed	<b>1765/885 rpm</b>
Service Factor	<b>1.15</b>	Phase	<b>3</b>
Duty	<b>Continuous</b>	Insulation Class	<b>F</b>
Frame	<b>215T</b>	Enclosure	<b>Drip Proof</b>
Thermal Protection	<b>No</b>	Ambient Temperature	<b>40 °C</b>
UL	<b>Recognized</b>	CSA	<b>Y</b>
CE	<b>Y</b>	Number of Speeds	<b>2</b>

**Technical Specifications**

Electrical Type	<b>Polyphase</b>	Starting Method	<b>Across The Line</b>
Poles	<b>4/ 8</b>	Rotation	<b>Reversible</b>
Mounting	<b>Rigid Base</b>	Drive End Bearing	<b>Ball</b>
Opp Drive End Bearing	<b>Ball</b>	Frame Material	<b>Rolled Steel</b>
Shaft Type	<b>Keyed</b>	Overall Length	<b>17.30 in</b>
Frame Length	<b>11.15 in</b>	Shaft Diameter	<b>1.375 in</b>
Shaft Extension	<b>3.47 in</b>		
Outline Drawing	<b>SS86500CY-1115-S01</b>	Connection Drawing	<b>A-EE7317-CY</b>

This is an uncontrolled document once printed or downloaded and is subject to change without notice. Date Created:10/12/2021

REV	ECO	REV BY	DATE	APPD	DATE
A	0035621	M.AVILA	07-24-2013	J.ORTEGA	07-24-2013



.31[7.9]X.31[7.9]X  
2.38[60.5]KEY

1.3750  
1.3745  
34.925  
34.912

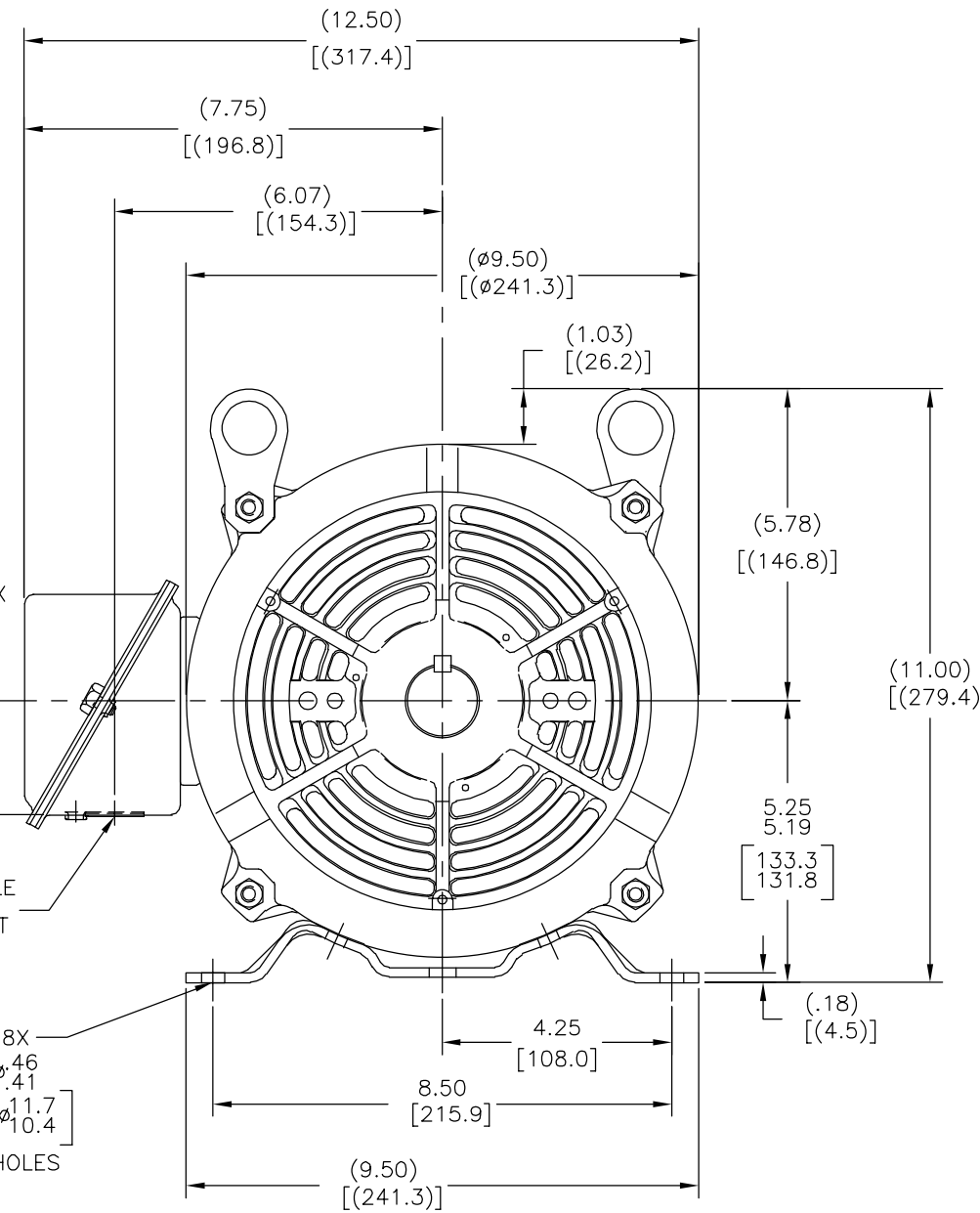
ø1.09[ø27.7]LEAD HOLE  
ø1.34[ø34.0]KNOCKOUT

2.12  
[53.7]

8X  
ø.46  
ø.41  
[ø11.7]  
[ø10.4]  
HOLES

NOTES:

1. NAMEPLATE TO BE READ FROM C'BOX SIDE OF MOTOR.
2. BOX CAN BE MOUNTED IN 90° STEPS.
3. BOX CAN MOUNTED ON OPPOSITE SIDE BY REMOVING BRACKETS AND TURNING FRAME 180° (EXCEPT AS NOTED)



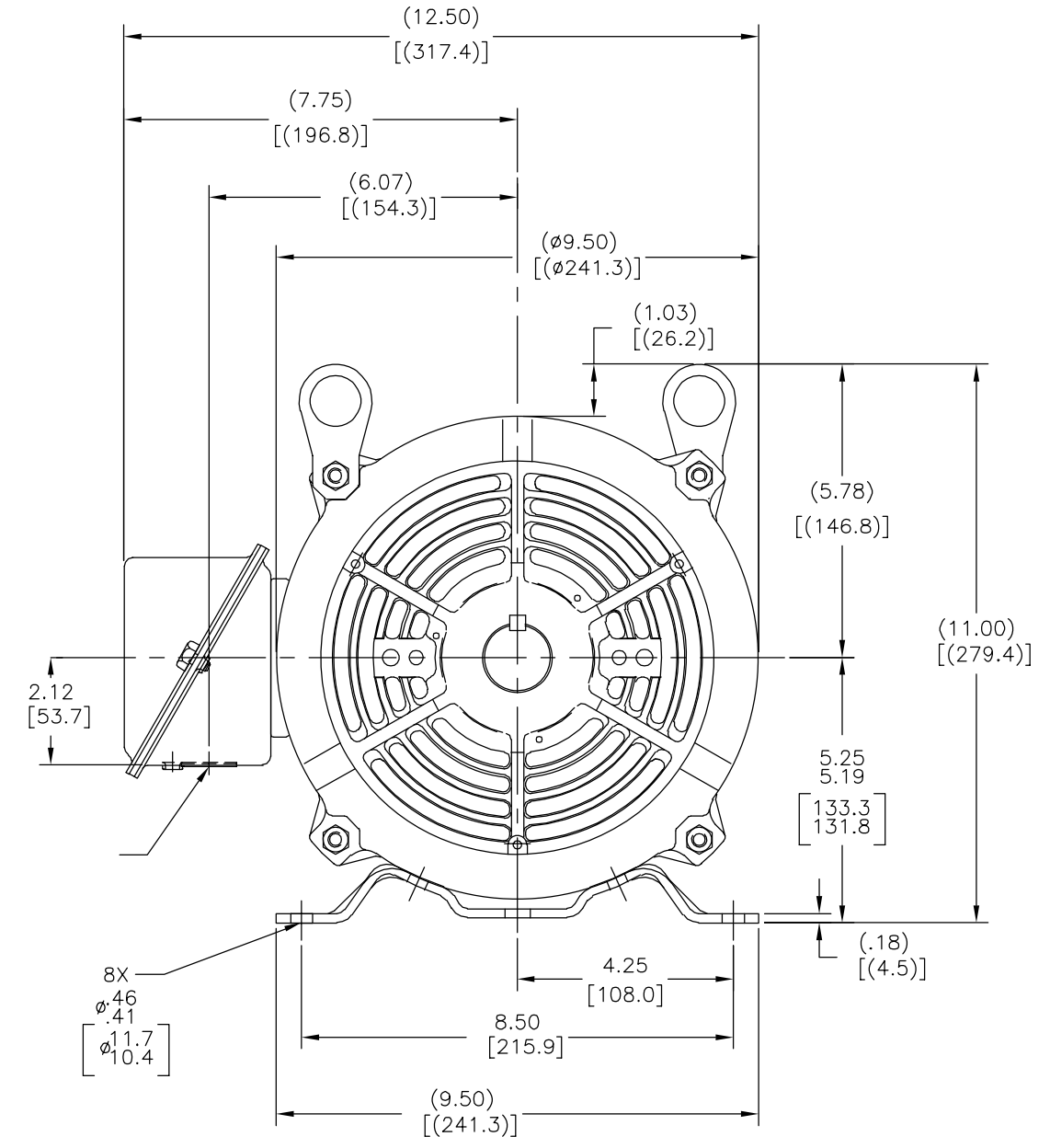
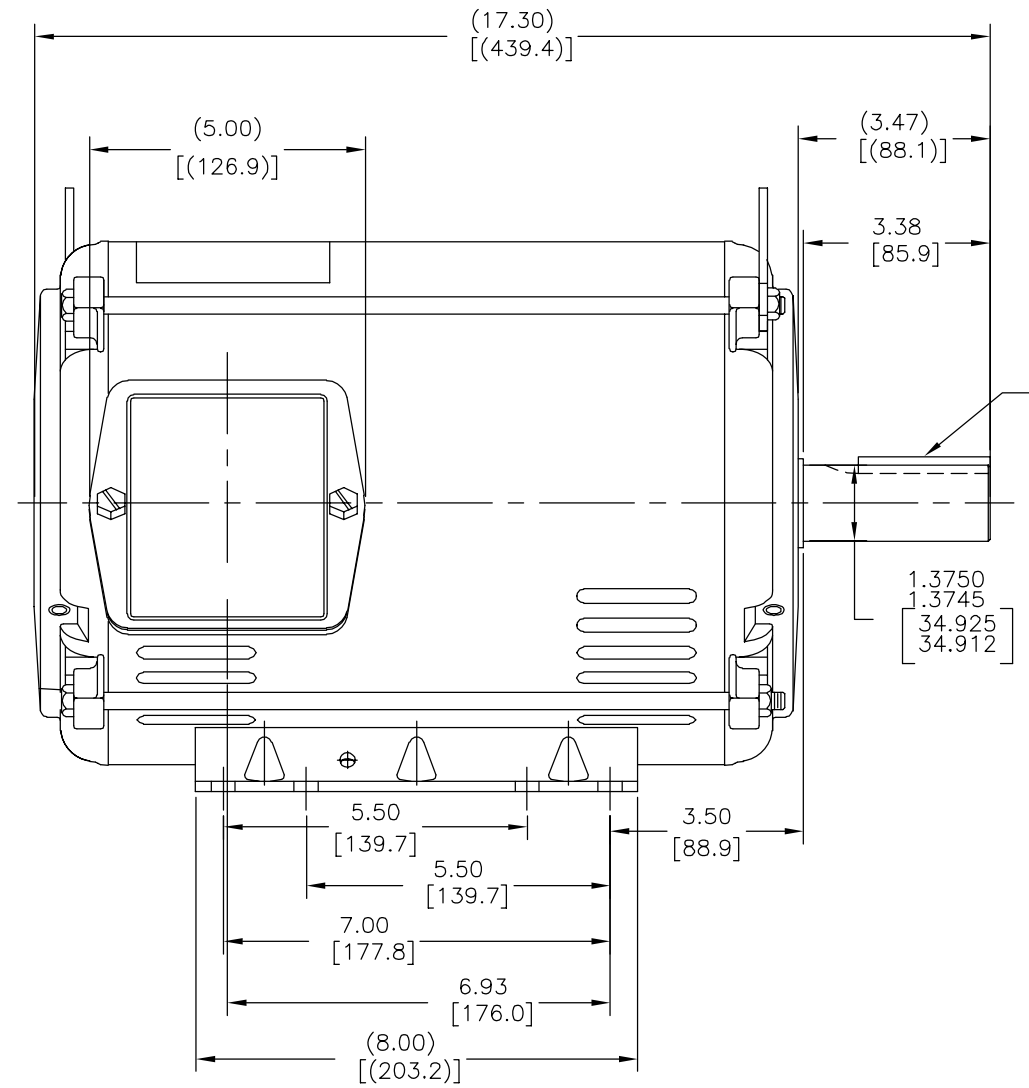
GEOMETRIC CHARACTERISTICS & SYMBOLS	
▭	FLATNESS
—	STRAIGHTNESS
∠	ANGULARITY
⊥	PERPENDICULARITY (SQUARENESS)
//	PARALLELISM
○	ROUNDNESS (CIRCULARITY)
⊘	CYLINDRICITY
△	PROFILE OF ANY SURFACE
∧	PROFILE OF ANY LINE
↯	RUNOUT
⊕	TRUE POSITION
⊙	CONCENTRICITY
≡	SYMMETRY
ASME Y14.5M 1994	

UNLESS OTHERWISE SPECIFIED DIM. TOLERANCES ARE AS FOLLOWS:	
INCH	±.1    .02    ±.005    .0005
mm	±0.5    ±0.13    ±0.013
ANG. ±.50 DEG	
REMOVE BURRS & BREAK SHARP EDGES:	
INCH	.003-.015
mm	0.1-0.4
CORNER FILLETS TO:	
INCH	.020
mm	0.5
MACHINE SURFACES:	
INCH	125
mm	3.2
METRIC DIMS. SHOWN IN [BRACKETS]	

DR BY:	M.AVILA	07-24-2013
APPD:	D.JAMORA	07-24-2013
THIRD ANGLE PROJECTION	⊕	EDS DATE 11-11-2011 FORMAT REV H
CONFIDENTIAL: THIS DRAWING AND ITS INFORMATION ARE THE EXCLUSIVE AND CONFIDENTIAL PROPERTY OF REGAL-BELOIT CORPORATION AND ARE NOT TO BE DISCLOSED, DUPLICATED, DISTRIBUTED OR OTHERWISE USED WITHOUT THE WRITTEN CONSENT OF REGAL-BELOIT CORPORATION. -ALL RIGHTS RESERVED.		

<b>REGAL</b> REGAL-BELOIT CORPORATION	
DESCRIPTION OUTLINE	
SIZE C	DWG NO SS86500CY-1115
SCALE NONE	SHEET 1

A	0035621	M.AVILA	07-24-2013	J.ORTEGA	07-24-2013
---	---------	---------	------------	----------	------------

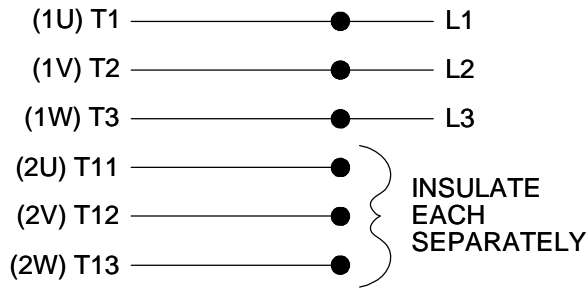


	ASME Y14.5M 1994
--	------------------

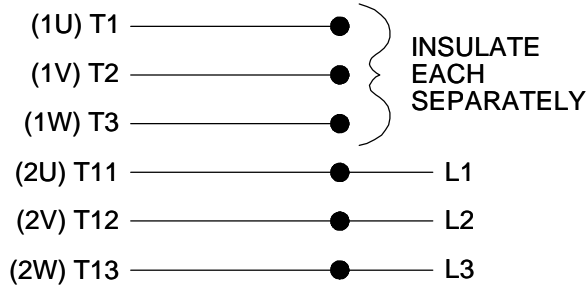
M.AVILA	07-24-2013
D.JAMORA	07-24-2013
11-11-2011 H	

<b>REGAL</b> REGAL-BELOIT CORPORATION	
OUTLINE	
C	SS86500CY-1115
NONE	1

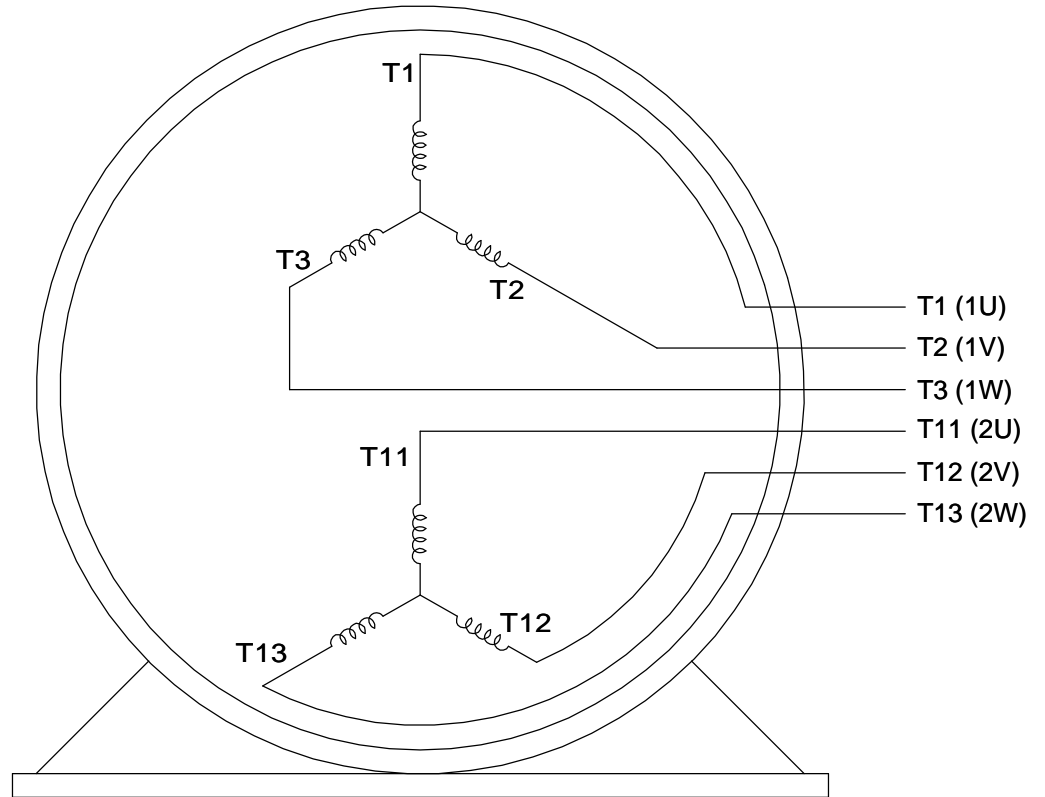
LOW SPEED



HIGHSPEED



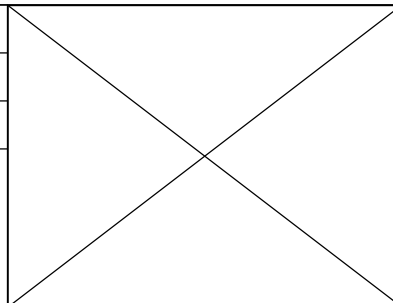
**THREE PHASE, SINGLE VOLT, 6 LEAD  
2 SPEED REVERSIBLE MOTOR**


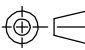


VIEW OF TERMINAL END

TO REVERSE ROTATION ON  
EITHER SPEED: INTERCHANGE  
ANY 2 LEADS ON THE  
WINDING IN USE.

DRAWING REVISION <b>C</b>	REVISION BY <b>JJB</b>	DATE <b>10-25-2017</b>
ECO <b>ECO-0132917</b>	APPROVED BY <b>TLB</b>	DATE <b>10-30-2017</b>
ECO DESCRIPTION <b>REVISED PER ECO &amp; UPDATED TO STANDARDS</b>		
<small>COPYRIGHT REGAL BELOIT AMERICA, INC. ALL RIGHTS RESERVED.                  PROPRIETARY AND CONFIDENTIAL INFORMATION - THIS DOCUMENT IS THE PROPERTY OF                  REGAL BELOIT AMERICA, INC. ("OWNER") AND CONTAINS OWNER'S PROPRIETARY                  INFORMATION. ANY PERSON, CORPORATION OR OTHER FIRM RECEIVING IT IS DEEMED,                  BY RECEIVING IT, TO AGREE THAT IT, AND/OR ANY PART OF IT, SHALL NOT BE DISCLOSED                  TO ANY PERSON, CORPORATION OR OTHER ENTITY, DUPLICATED, AND/OR USED, EXCEPT                  AS EXPRESSLY APPROVED IN WRITING IN ADVANCE BY OWNER. THIS DOCUMENT SHALL                  BE RETURNED TO OWNER UPON REQUEST. IT MAY BE SUBJECT TO CERTAIN                  RESTRICTIONS UNDER APPLICABLE EXPORT CONTROL LAWS AND REGULATIONS.</small>		



DRAWN BY <b>LZ</b>	 <b>Regal Beloit America, Inc.</b>		
DATE <b>01-05-1994</b>			
APPROVED BY <b>GK</b>	DESCRIPTION <b>CONN DIAGRAM-INTERNAL</b>		
DATE <b>01-17-1994</b>	<b>3 PHASE - SINGLE - 2 SPEED REVERSIBLE</b>		
REFERENCE	MATERIAL	PROCESS/FINISH	
THIRD ANGLE PROJECTION 	SIZE <b>A</b>	DRAWING NUMBER <b>EE7317</b>	SHEET <b>1 OF 1</b>