

# PRODUCT INFORMATION PACKET



Model No: M223M2

Catalog No: M223M2

General Purpose Motor, 5/1.25 HP, 3 Ph, 60 Hz, 200-230 V, 1800 RPM, 184T Frame, ODP



Regal and Century are trademarks of Regal Rexnord Corporation or one of its affiliated companies.

©2022 Regal Rexnord Corporation, All Rights Reserved. MC017097E





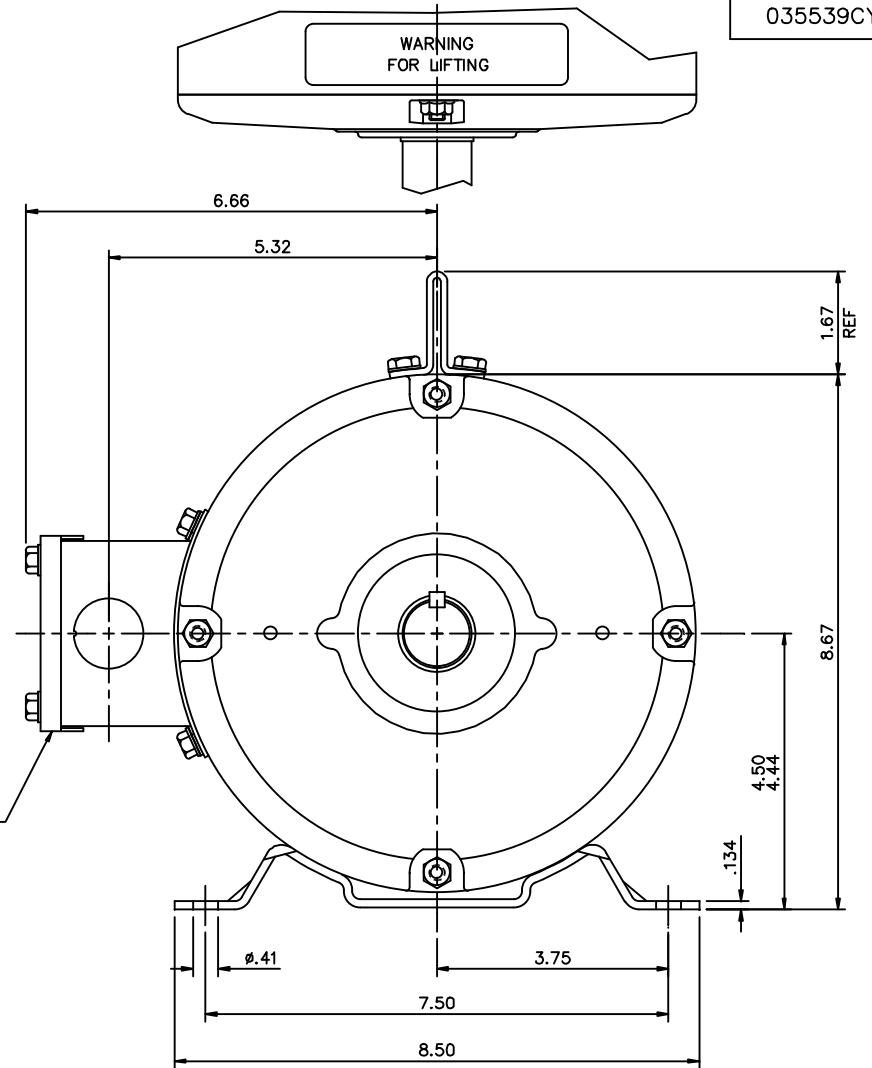
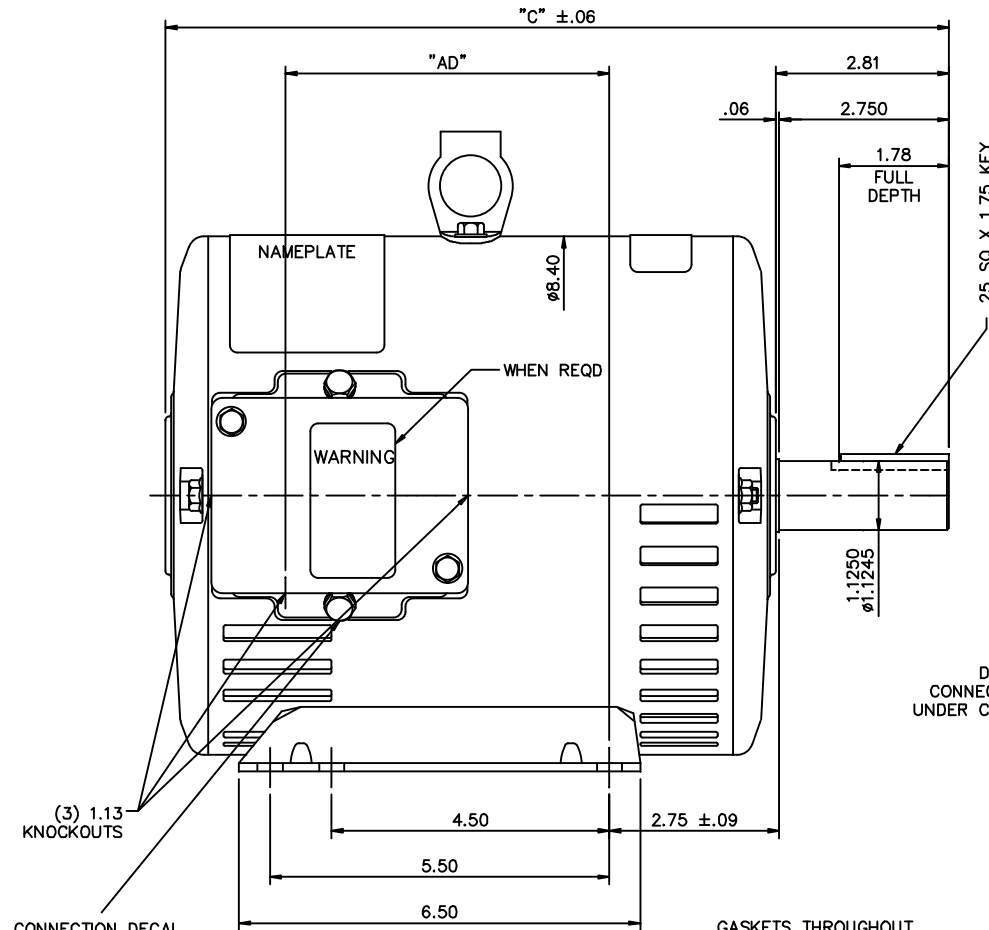
**Nameplate Specifications**

Output HP	<b>5/1.25 Hp</b>	Output KW	<b>3.7 kW</b>
Frequency	<b>60 Hz</b>	Voltage	<b>200-230 V</b>
Current	<b>14.8-14.6/5.8-6 A</b>	Speed	<b>1775/880 rpm</b>
Service Factor	<b>1.15</b>	Phase	<b>3</b>
Duty	<b>Continuous</b>	Insulation Class	<b>F</b>
Frame	<b>184T</b>	Enclosure	<b>Open Drip Proof</b>
Thermal Protection	<b>No Protection</b>	Ambient Temperature	<b>40 °C</b>
UL	<b>Recognized</b>	CSA	<b>Y</b>
CE	<b>Y</b>	Number of Speeds	<b>2</b>

**Technical Specifications**

Electrical Type	<b>Polyphase</b>	Starting Method	<b>Across The Line</b>
Poles	<b>4/ 8</b>	Rotation	<b>Reversible</b>
Mounting	<b>Rigid Base</b>	Drive End Bearing	<b>Ball</b>
Opp Drive End Bearing	<b>Ball</b>	Frame Material	<b>Rolled Steel</b>
Shaft Type	<b>Keyed</b>	Overall Length	<b>14.19 in</b>
Frame Length	<b>10.00 in</b>	Shaft Diameter	<b>1.125 in</b>
Shaft Extension	<b>2.81 in</b>		
Outline Drawing	<b>035539CY</b>	Connection Drawing	<b>005200.01CY</b>

This is an uncontrolled document once printed or downloaded and is subject to change without notice. Date Created:11/29/2022

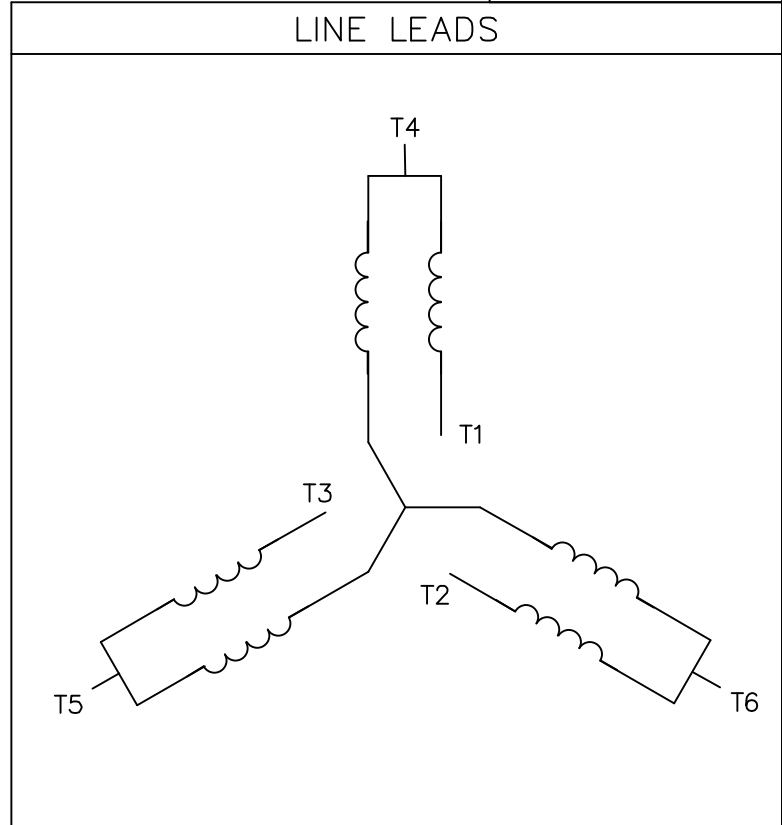
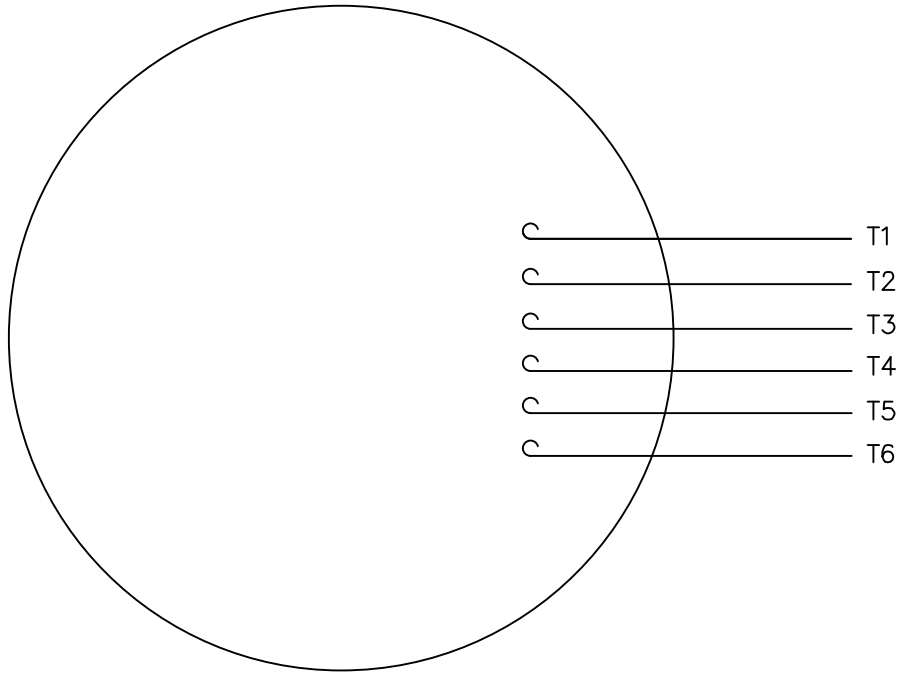


GASKETS THROUGHOUT

DASH NO.	"C"	"AD"
850	12.69	5.25
900	13.19	5.75
950	13.69	6.25
1000	14.19	6.75
1050	14.69	7.25
1100	15.19	7.75
1150	15.69	8.25

		TOLERANCES UNLESS SPECIFIED				DRAWN GR 03/27/12
		DEC.	INCHES			CHK ST 03/27/12
		.X	±.1	TITLE OUTLINE - 180T FRAME DRIP PROOF - RIGID		APPD
		.XX	±.03			SCALE 1-2
		.XXX	±.005			REF 035539
1	ADDED DECAL CONNECTION NOTE.	GR 06/18/12	ST .XXXX	±.0005	MAT'L GENERAL PURPOSE	FMF
NO.	REVISION	BY & DATE	CHK	ANG	FINISH	PREV
THIS DRAWING IN DESIGN AND DETAIL IS OUR PROPERTY AND MUST NOT BE USED EXCEPT IN CONNECTION WITH OUR WORK ALL RIGHTS OF DESIGN AND INVENTION ARE RESERVED THIS IS AN ELECTRONICALLY GENERATED DOCUMENT - DO NOT SCALE THIS PRINT			RFP	CAD FILE	035539CY	SIZE DRAWING NO.
			DIST	NLV		B 035539CY
						REV. 1

VIEW FROM OUTSIDE OF MOTOR AT SWITCH END.



SPEED	LINE LEADS			JOIN	SEPARATE
	L1	L2	L3		
HIGH	T6	T4	T5	(T1,T2,T3)	
LOW	T1	T2	T3		(T4)(T5)(T6)

				TOLERANCES UNLESS OTHERWISE SPECIFIED					
				DECIMALS					
				.00	± .01	DRAWN	GR 03/27/12	TITLE EXTERNAL WIRING DIAGRAM TYPE "T" W/O PROTECTOR  MAT'L DECAL - 004183/080066 2 SPEED 1 WDG. VARIABLE TORQUE MOTOR	
				.000	± .005	CH'K'D.	ST 03/27/12		
				.0000	± .0005	APPR.			
NO.	REVISION	BY	DATE	FRACTIONS	± 1/64	SCALE	1=1	FINISH SIZE A	
THIS DRAWING IN DESIGN AND DETAIL IS OUR PROPERTY AND MUST NOT BE USED EXCEPT IN CONNECTION WITH OUR WORK ALL RIGHTS OF DESIGN AND INVENTION ARE RESERVED				ANGLES	± 1/2°	REF.	005200-01		
				INCH/MM		FMF			