

PRODUCT INFORMATION PACKET



Model No: M222M2
Catalog No: M222M2

General Purpose Motor, 3/0.75 HP, 3 Ph, 60 Hz, 200-230 V, 1800 RPM, 182T Frame, ODP



Regal and Century are trademarks of Regal Rexnord Corporation or one of its affiliated companies.
©2022 Regal Rexnord Corporation, All Rights Reserved. MC017097E





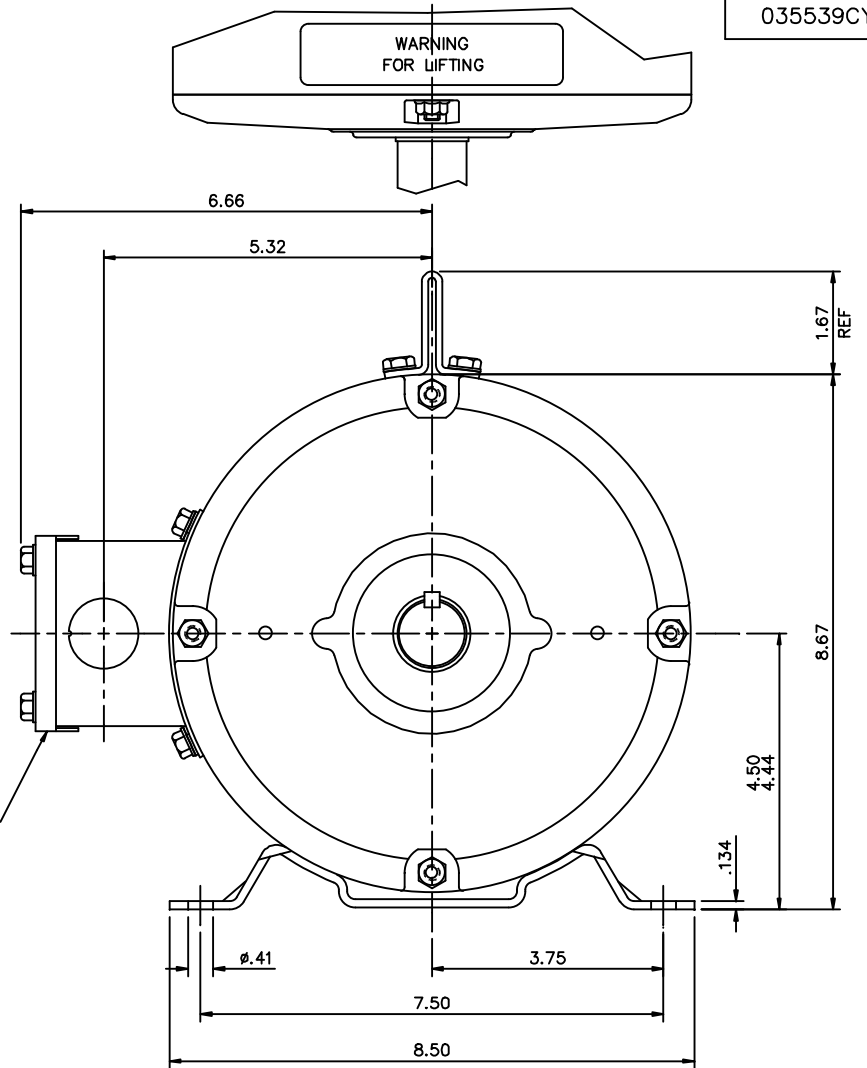
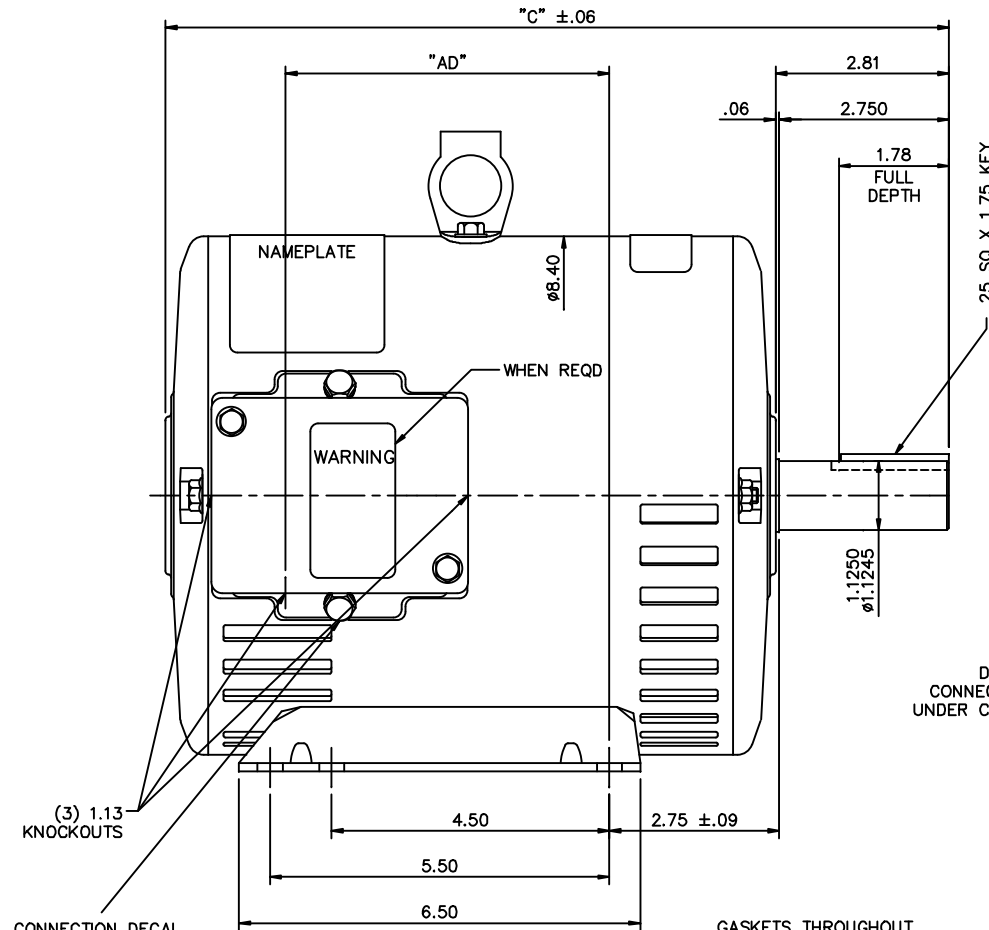
Nameplate Specifications

Output HP	3/0.75 Hp	Output KW	2.2 kW
Frequency	60 Hz	Voltage	200-230 V
Current	9-8.2/3.5-3.6 A	Speed	1760/875 rpm
Service Factor	1.15	Phase	3
Duty	Continuous	Insulation Class	F
Frame	182T	Enclosure	Open Drip Proof
Thermal Protection	No Protection	Ambient Temperature	40 °C
UL	Recognized	CSA	N
CE	Y	Number of Speeds	2

Technical Specifications

Electrical Type	Polyphase	Starting Method	Across The Line
Poles	4/ 8	Rotation	Reversible
Mounting	Rigid Base	Drive End Bearing	Ball
Opp Drive End Bearing	Ball	Frame Material	Rolled Steel
Shaft Type	Keyed	Overall Length	13.19 in
Frame Length	9.00 in	Shaft Diameter	1.250 in
Shaft Extension	2.81 in		
Connection Drawing	005200.01CY	Outline Drawing	035539CY

This is an uncontrolled document once printed or downloaded and is subject to change without notice. Date Created:11/29/2022



(3) 1.13 KNOCKOUTS
 CONNECTION DECAL NOTE UNDER COVER

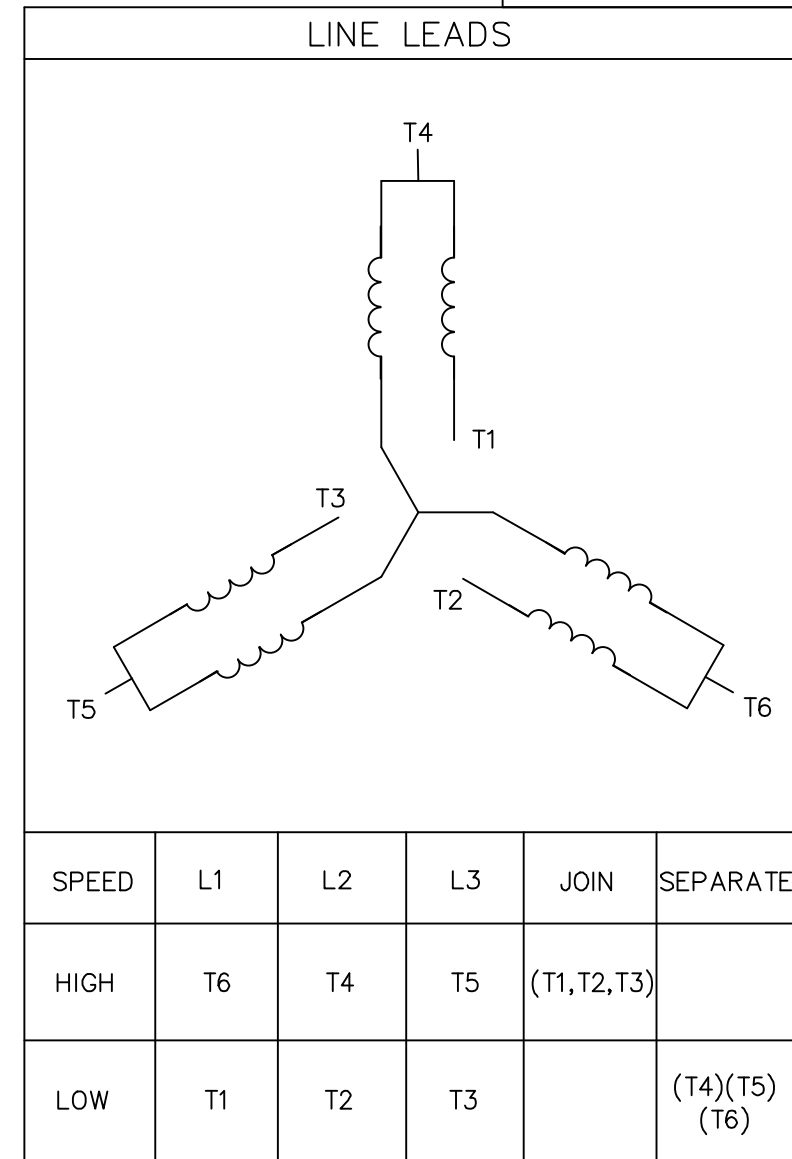
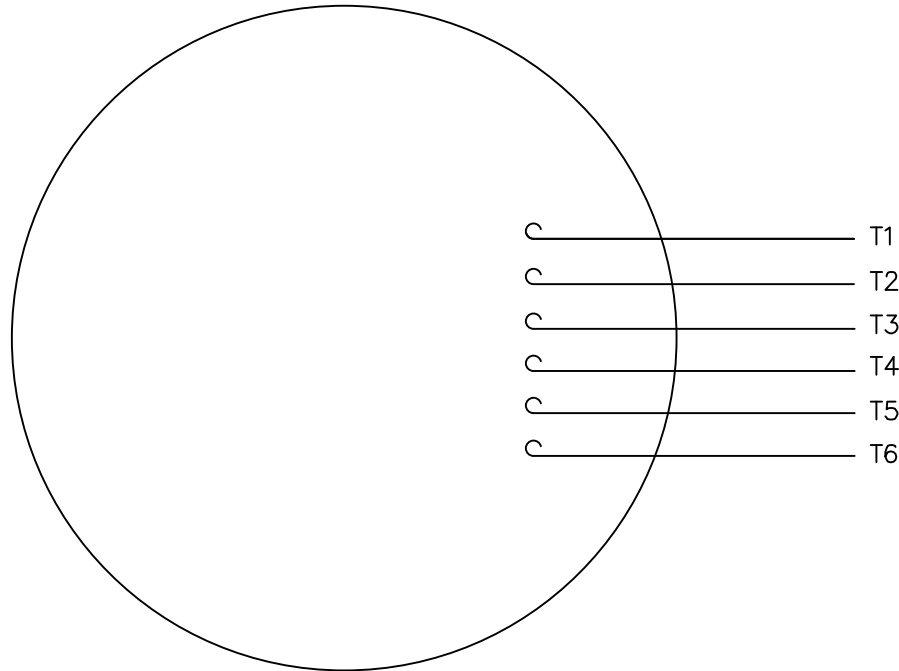
DECAL CONNECTION UNDER COVER

GASKETS THROUGHOUT

DASH NO.	"C"	"AD"
850	12.69	5.25
900	13.19	5.75
950	13.69	6.25
1000	14.19	6.75
1050	14.69	7.25
1100	15.19	7.75
1150	15.69	8.25

		TOLERANCES UNLESS SPECIFIED				DRAWN GR 03/27/12
		DEC.	INCHES			CHK ST 03/27/12
		.X	±.1	TITLE OUTLINE - 180T FRAME DRIP PROOF - RIGID		APPD
		.XX	±.03			SCALE 1-2
		.XXX	±.005			REF 035539
1	ADDED DECAL CONNECTION NOTE.	GR 06/18/12	ST .XXXX ±.0005	MAT'L GENERAL PURPOSE	FMF	
NO.	REVISION	BY & DATE	CHK ANG ±1/2'	FINISH	PREV	
THIS DRAWING IN DESIGN AND DETAIL IS OUR PROPERTY AND MUST NOT BE USED EXCEPT IN CONNECTION WITH OUR WORK ALL RIGHTS OF DESIGN AND INVENTION ARE RESERVED THIS IS AN ELECTRONICALLY GENERATED DOCUMENT - DO NOT SCALE THIS PRINT				RFP	CAD FILE 035539CY	SIZE DRAWING NO. B 035539CY
				DIST NLV		REV. 1

VIEW FROM OUTSIDE OF MOTOR AT SWITCH END.



				TOLERANCES UNLESS OTHERWISE SPECIFIED			
				DECIMALS			
				.00	± .01	DRAWN GR 03/27/12	TITLE EXTERNAL WIRING DIAGRAM TYPE "T" W/O PROTECTOR MAT'L DECAL - 004183/080066 2 SPEED 1 WDG. VARIABLE TORQUE MOTOR
				.000	± .005	CH'K'D. ST 03/27/12	
				.0000	± .0005	APPR.	
NO.	REVISION	BY	DATE	FRACTIONS	± 1/64	SCALE	1=1
THIS DRAWING IN DESIGN AND DETAIL IS OUR PROPERTY AND MUST NOT BE USED EXCEPT IN CONNECTION WITH OUR WORK ALL RIGHTS OF DESIGN AND INVENTION ARE RESERVED				ANGLES	± 1/2°	REF.	005200-01
				INCH/MM		FMF	