

PRODUCT INFORMATION PACKET



Model No: LM80244
Catalog No: LM80244

Fire Pump Motor, 250 & 200 HP, 3 Ph, 60 & 50 Hz, 460 & 380 V, 3600 & 3000 RPM, 445TS Frame, DP



Regal and Leeson are trademarks of Regal Rexnord Corporation or one of its affiliated companies.
©2023 Regal Rexnord Corporation, All Rights Reserved. MC017097E





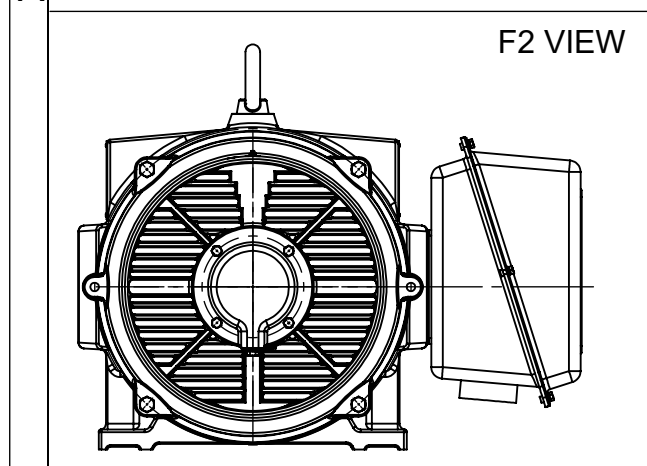
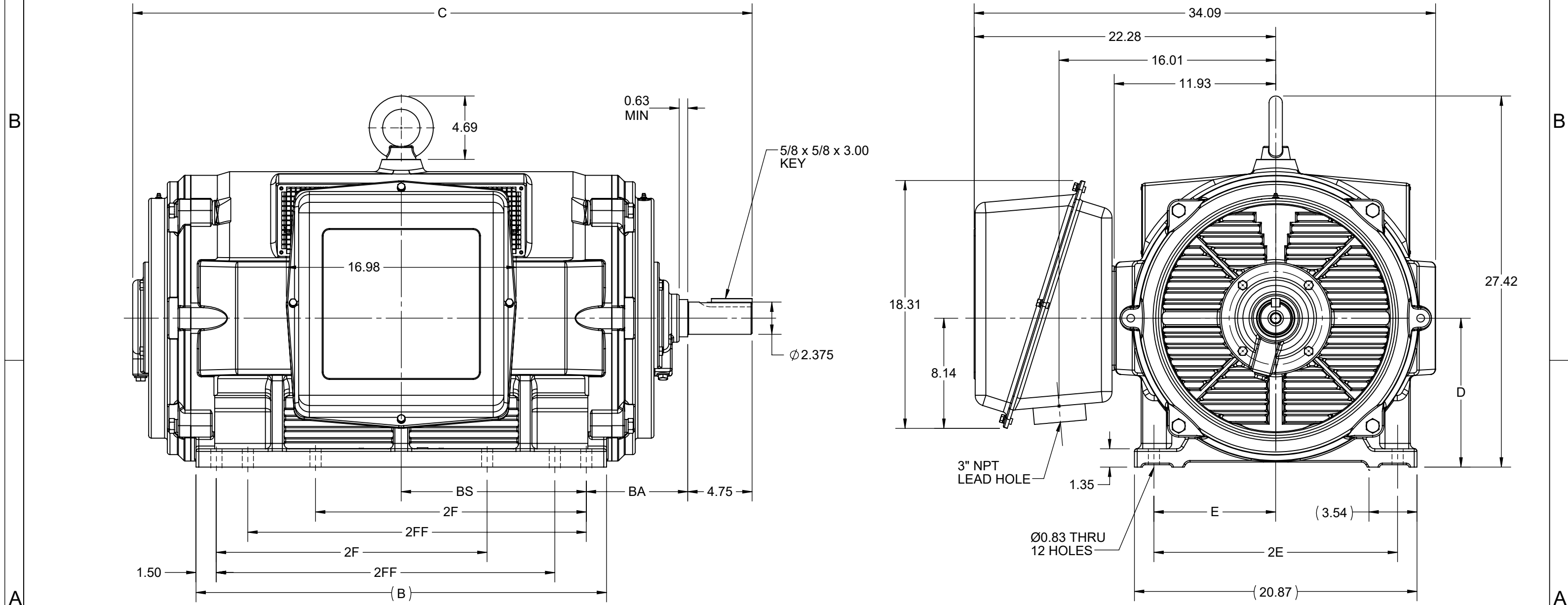
Nameplate Specifications

Phase	3	Output HP	250 & 200 Hp
Output KW	187.0 & 149.0 kW	Voltage	460 & 380 V
Speed	3575 & 2975 rpm	Service Factor	1.15 & 1.15
Frame	445TS	Enclosure	Drip Proof
Thermal Protection	No Protection	Efficiency	94.5 & 94.1 %
Ambient Temperature	50 °C	Frequency	60 & 50 Hz
Current	272 & 265 A	Power Factor	89
Duty	Continuous	Insulation Class	F
Design Code	B	KVA Code	F
Drive End Bearing Size	6314	Opp Drive End Bearing Size	6314
UL	No	CSA	Y
CE	Y	IP Code	23
Number of Speeds	1		

Technical Specifications

Electrical Type	Squirrel Cage Induction Run	Starting Method	Part Wdg Start & Wye Start Delta Run
Poles	2	Rotation	Reversible
Resistance Main	.032 Ohms	Mounting	Rigid Base
Motor Orientation	Horizontal	Drive End Bearing	Ball
Opp Drive End Bearing	Ball	Frame Material	Cast Iron
Shaft Type	TS	Overall Length	40.83 in
Frame Length	25.98 in	Shaft Diameter	2.375 in
Shaft Extension	4.75 in	Assembly/Box Mounting	F1/F2 CAPABLE
Outline Drawing	SS620756-445	Connection Drawing	EE7300BH

DASH NO.	4		3				2		1		
	B	C	D	E	2E	2F	2FF	BA	BS	MOUNTING	FRAME
100	25.20	40.64	11.00	9.00	18.00	14.50	16.50	7.50	11.10	F1 OR F2	444/445TS
200	30.31	45.76				20.00	25.00		13.66		447/449TS



DRAWING REVISION C	REVISION BY GOPI J	REV DATE/© DATE 09/02/2022	DRAWN BY ZXW		Regal Beloit America, Inc.
REQUEST NUMBER CR-0006851	APPROVED BY SBD	DATE 09/02/2022	DATE 21/07/2016		
REQUEST NUMBER DESCRIPTION VIEWS UPDATED AS PER 3D			APPROVED BY	DESCRIPTION	
COPYRIGHT (PER REVISION DATE) REGAL BELOIT AMERICA, INC. ALL RIGHTS RESERVED. PROPRIETARY AND CONFIDENTIAL INFORMATION - THIS DOCUMENT IS THE PROPERTY OF REGAL BELOIT AMERICA, INC. ("OWNER") AND CONTAINS OWNER'S PROPRIETARY INFORMATION. ANY PERSON, CORPORATION OR OTHER FIRM RECEIVING IT IS DEEMED, BY RECEIVING IT, TO AGREE THAT IT, AND/OR ANY PART OF IT, SHALL NOT BE DISCLOSED TO ANY PERSON, CORPORATION OR OTHER ENTITY, DUPLICATED, AND/OR USED, EXCEPT AS EXPRESSLY APPROVED IN WRITING IN ADVANCE BY OWNER. THIS DOCUMENT SHALL BE RETURNED TO OWNER UPON REQUEST. IT MAY BE SUBJECT TO CERTAIN RESTRICTIONS UNDER APPLICABLE EXPORT CONTROL LAWS AND REGULATIONS.			DATE	444/445/447/449TS FR NEMA ODP CAST IRON	
PRIMARY DIMENSIONS ARE INCH mm DIMENSIONS IN [BRACKETS] ARE FOR REFERENCE ONLY			REFERENCE	MATERIAL	PROCESS/FINISH
THIRD ANGLE PROJECTION				SIZE B	DRAWING NUMBER SS620756
					SHEET 1 OF 1



VIEW OF TERMINAL END

				TOLERANCES UNLESS SPECIFIED		REGAL REGAL-BELOIT CORPORATION	DRAWN RJW 02-11-2005			
				DEC.	INCHES		CHK	ML	02-11-2005	
				.X	±.1		APPD	GK	02-11-2005	
				.XX	±.02	TITLE CONNECTION DIAGRAM		SCALE		
D	CHANGED TO REGAL TITLE BLOCK	ECO-0108299	WGJ 08/22/2016	EMH	.XXX ±.005	12 LEAD- SINGLE VOLTAGE		REF		
1	ADDED IEC TERMINAL MARKINGS	CN 41429	JJB 05/24/2007	ML	.XXXX ±.0005	MAT'L.		FMF		
NO.	REVISION	BY & DATE	CHK	ANG	±7'30"	FINISH		PREV		
THIS DRAWING IN DESIGN AND DETAIL IS OUR PROPERTY AND MUST NOT BE USED EXCEPT IN CONNECTION WITH OUR WORK ALL RIGHTS OF DESIGN AND INVENTION ARE RESERVED THIS IS AN ELECTRONICALLY GENERATED DOCUMENT - DO NOT SCALE THIS PRINT				RFP	02-11-2005	CAD FILE ee7300bh	SIZE	DRAWING NO.	PAGE OF	REV.
				DIST	LB		A	EE7300BH		C