

# PRODUCT INFORMATION PACKET

Model No: LM80234

Catalog No: LM80234

Fire Pump Motor, 200 HP, 3 Ph, 60 Hz, 400 V, 3600 RPM, 444TS Frame, DP

Regal and are trademarks of Regal Rexnord Corporation or one of its affiliated companies.  
©2022 Regal Rexnord Corporation, All Rights Reserved. MC017097E



### Nameplate Specifications

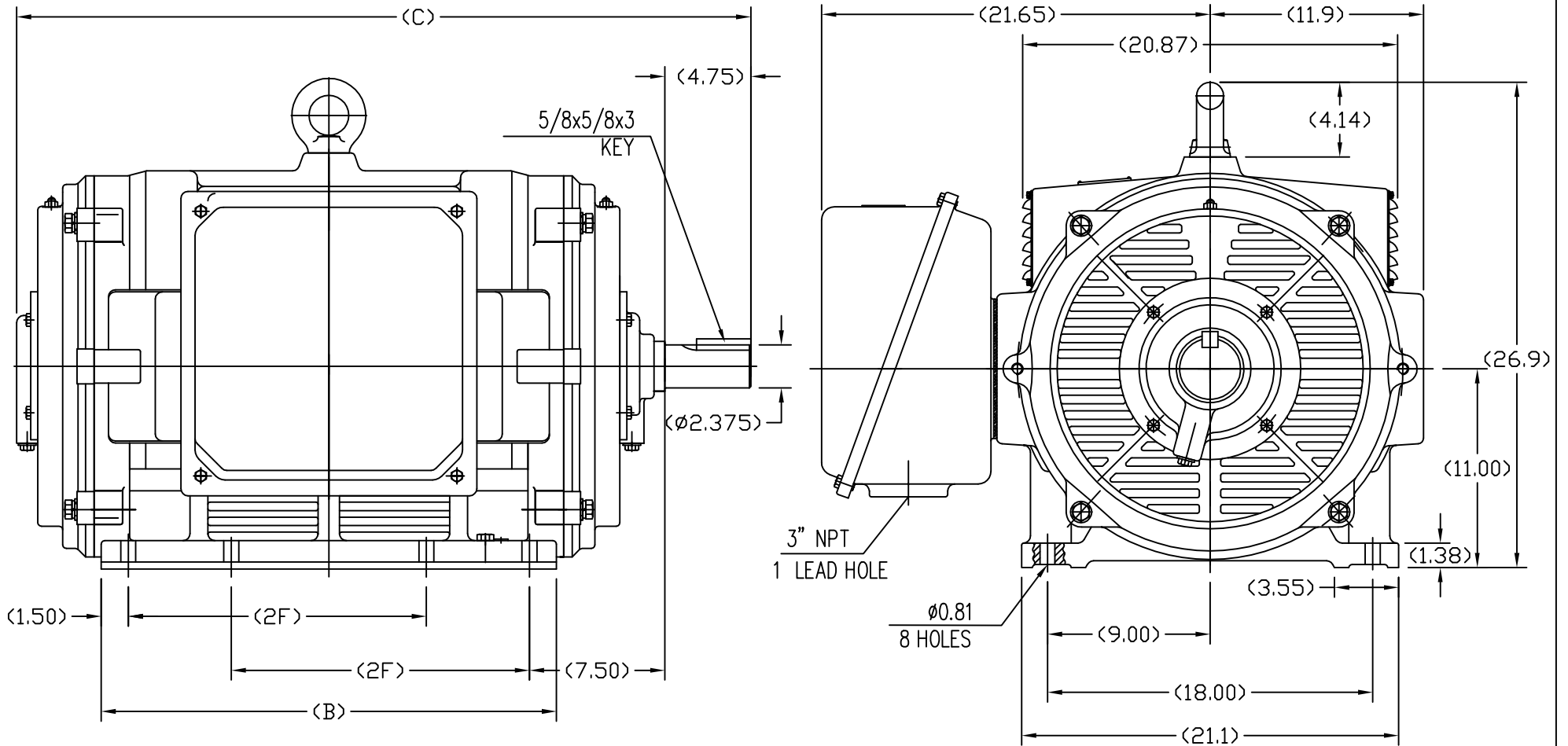
Output HP	200 Hp	Output KW	149.0 kW
Frequency	60 Hz	Voltage	400 V
Current	253.0 A	Speed	3575 rpm
Service Factor	1.15	Phase	3
Efficiency	94.5 %	Power Factor	89
Duty	Continuous	Insulation Class	F
Design Code	B	KVA Code	F
Frame	444TS	Enclosure	Drip Proof
Thermal Protection	No Protection	Ambient Temperature	50 °C
Drive End Bearing Size	6314	Opp Drive End Bearing Size	6314
UL	No	CSA	Y
CE	Y	IP Code	23
Number of Speeds	1		

### Technical Specifications

Electrical Type	Squirrel Cage Induction Run	Starting Method	Part Wdg Start & Wye Start Delta Run
Poles	2	Rotation	Reversible
Resistance Main	.038 Ohms	Mounting	Rigid Base
Motor Orientation	Horizontal	Drive End Bearing	Ball
Opp Drive End Bearing	Ball	Frame Material	Cast Iron
Shaft Type	TS	Overall Length	40.83 in
Frame Length	25.98 in	Shaft Diameter	2.375 in
Shaft Extension	4.75 in	Assembly/Box Mounting	F1/F2 CAPABLE
Connection Drawing	EE7300BH	Outline Drawing	SS620256

This is an uncontrolled document once printed or downloaded and is subject to change without notice. Date Created:09/16/2022

SS620256



444TS	40.83	25.2	14.5
445TS			16.5
447TS	45.95	30.31	20
449TS			25
Frame	C	B	2F

REVISION		BY & DATE	CHK	ANG	FINISH	CAD FILE	SS620256	SIZE	DRAWING NO.	REV.
A	2 leads hole change to 1	CL 2010-9-8						B	SS620256	
TOLERANCES UNLESS SPECIFIED DEC. INCHES .X ±.1 .XX ±.03 .XXX ±.005 .XXXX ±.0005 MAT'L. REGAL-BELOIT CORPORATION TITLE OUTLINE 444/445/447/449TS FR-DDP-CAST IRON DRAWN HZJ 02-21-2010 CHK ZYH 02-21-2010 APPD CL 02-21-2010 SCALE 6=32 REF FMF HWADA PREV THIS DRAWING IN DESIGN AND DETAIL IS OUR PROPERTY AND MUST NOT BE USED EXCEPT IN CONNECTION WITH OUR WORK. ALL RIGHTS OF DESIGN AND INVENTION ARE RESERVED. THIS IS AN ELECTRONICALLY GENERATED DOCUMENT - DO NOT SCALE THIS PRINT. RFP DIST										



VIEW OF TERMINAL END

				TOLERANCES UNLESS SPECIFIED		REGAL REGAL - BELOIT CORPORATION	DRAWN RJW 02-11-2005		
				DEC.	INCHES		CHK	ML	02-11-2005
				.X	±.1		APPD	GK	02-11-2005
				.XX	±.02	TITLE CONNECTION DIAGRAM	SCALE		
D	CHANGED TO REGAL TITLE BLOCK	ECO-0108299	WGJ 08/22/2016	EMH	.XXX	±.005	12 LEAD- SINGLE VOLTAGE		
1	ADDED IEC TERMINAL MARKINGS	CN 41429	JJB 05/24/2007	ML	.XXXX	±.0005	REF		
NO.	REVISION	BY & DATE	CHK	ANG	±7'30"	FINISH	PREV		
THIS DRAWING IN DESIGN AND DETAIL IS OUR PROPERTY AND MUST NOT BE USED EXCEPT IN CONNECTION WITH OUR WORK ALL RIGHTS OF DESIGN AND INVENTION ARE RESERVED THIS IS AN ELECTRONICALLY GENERATED DOCUMENT - DO NOT SCALE THIS PRINT				RFP	02-11-2005		CAD FILE	ee7300bh	
				DIST	LB		SIZE	DRAWING NO. PAGE OF REV.	
							A	EE7300BH C	

## EC Declaration of Conformity

The undersigned representing  
the manufacturer:

Regal Beloit America  
100 East Randolph St.  
Wausau, WI 54401

and the authorized representative  
established within the Community:

Marathon Electric UK  
6F Thistleton Road Ind. Estate  
Market Overton  
Oakham, Rutland LE15 7PP UK

are committed to providing customers with products that comply with applicable regulations and international protocols to which they are subject, including the requirements of the European Parliament Directive on the Harmonization of the laws relating to electrical equipment designed for use within certain voltage limits (2014/35/EU).

Regal Beloit America declares that the following product(s), to which this declaration relates, are in conformity with the relevant sections of the EC standards listed below.

This statement supersedes any statements previously issued pertaining to the product(s) listed below and is subject to change without notice.

Model No : LM80234

(Model No. may contain prefix and/or suffix characters)

Catalog No : LM80234

Rework No : N/A

Directives :

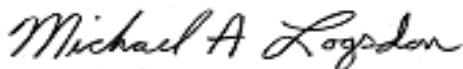
Low Voltage Directive 2014/35/EU

Harmonized Standards Used :

EN 60034-1: 2010 (IEC 60034-1: 2010)

EN 60034-5: 2001/A1:2007 (IEC 60034-5: 2000/A1:2006)

Authorized Representative:



Michael A. Logsdon  
Vice President, Technology

Authorized Representative in the Community:



Julian Clark  
Marketing Engineer

Created on 09/01/2022

**CE 22**