

PRODUCT INFORMATION PACKET



Model No: LM80150
Catalog No: LM80150

Fire Pump Motor, 150 & 125 HP, 3 Ph, 60 & 50 Hz, 460 & 380 V, 1800 & 1500 RPM, 444TS Frame, DP



Regal and Leeson are trademarks of Regal Rexnord Corporation or one of its affiliated companies.
©2023 Regal Rexnord Corporation, All Rights Reserved. MC017097E



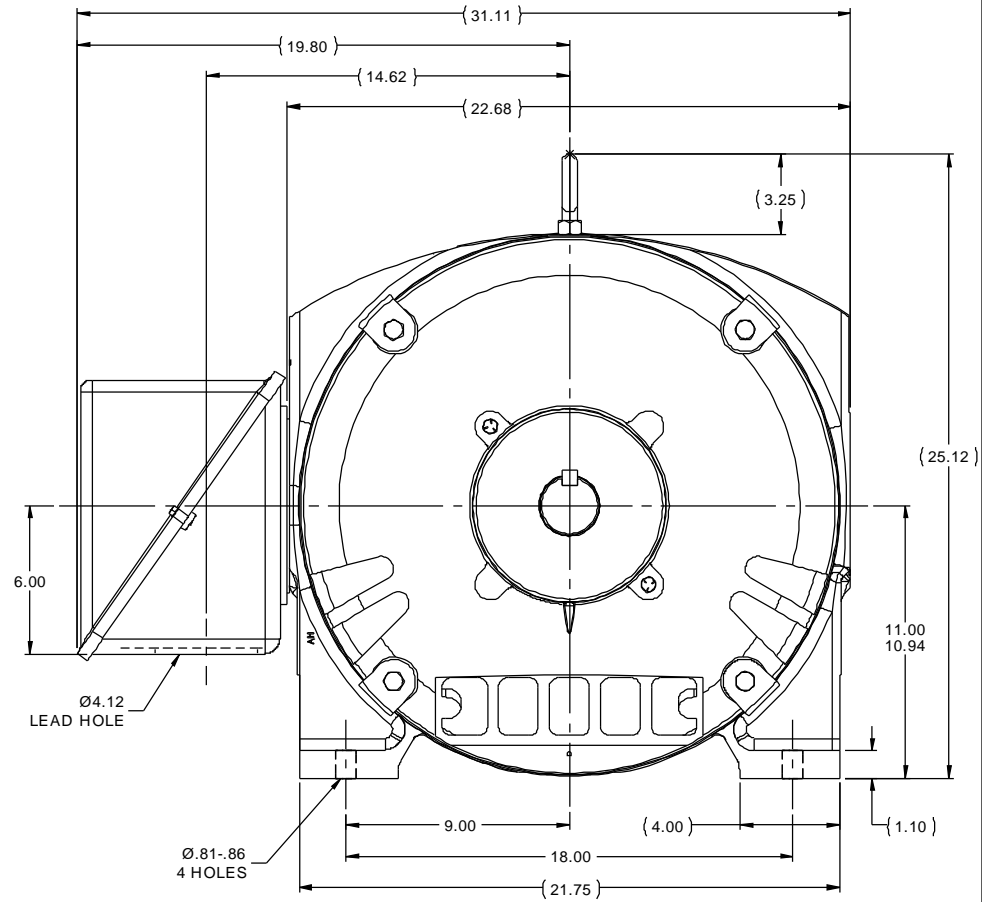
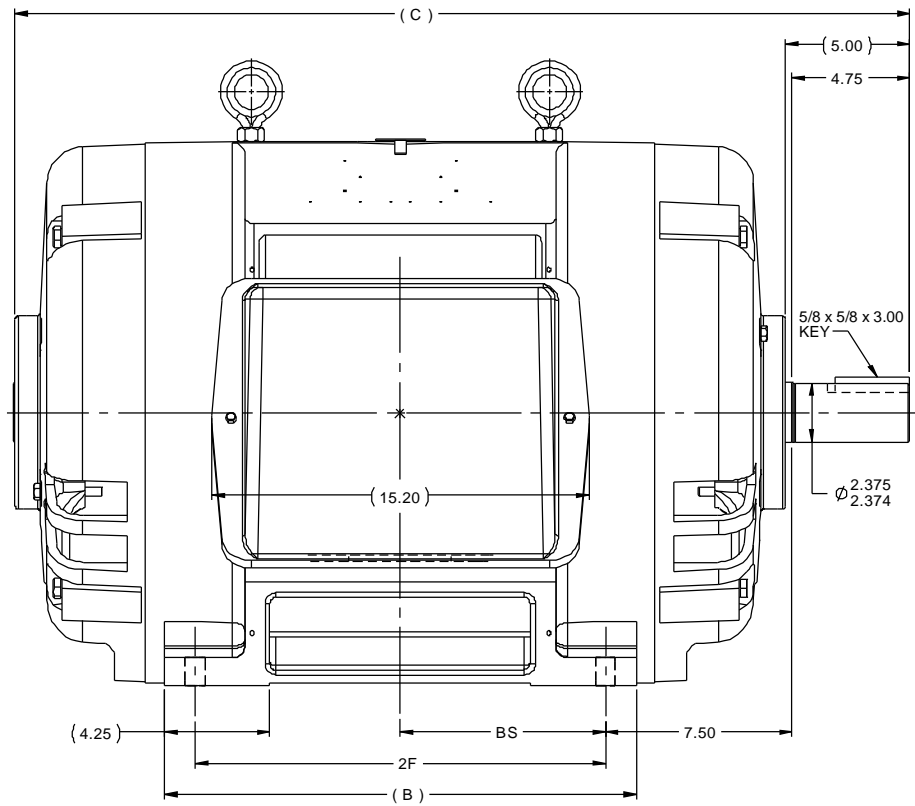


Nameplate Specifications

Phase	3	Output HP	150 & 125 Hp
Output KW	112.0 & 93.0 kW	Voltage	460 & 380 V
Speed	1782 & 1480 rpm	Service Factor	1.15 & 1.15
Frame	444TS	Enclosure	Drip Proof
Thermal Protection	No Protection	Efficiency	95 & 94.1 %
Ambient Temperature	40 °C	Frequency	60 & 50 Hz
Current	173 & 173 A	Power Factor	85
Duty	Continuous	Insulation Class	F
Design Code	B	KVA Code	F
Drive End Bearing Size	6313	Opp Drive End Bearing Size	6313
UL	No	CSA	Y
CE	Y	IP Code	12
Number of Speeds	1		

Technical Specifications


Electrical Type	Squirrel Cage Induction Run	Starting Method	Part Wdg Start & Wye Start Delta Run
Poles	4	Rotation	Reversible
Resistance Main	.033 Ohms	Mounting	Rigid Base
Motor Orientation	Horizontal	Drive End Bearing	Ball
Opp Drive End Bearing	Ball	Frame Material	Cast Iron
Shaft Type	TS	Overall Length	34.00 in
Frame Length	18.52 in	Shaft Diameter	2.375 in
Shaft Extension	4.75 in	Assembly/Box Mounting	F1/F2 CAPABLE
Connection Drawing	A-EE7300BH-LN	Outline Drawing	B-SS509642LN-1850

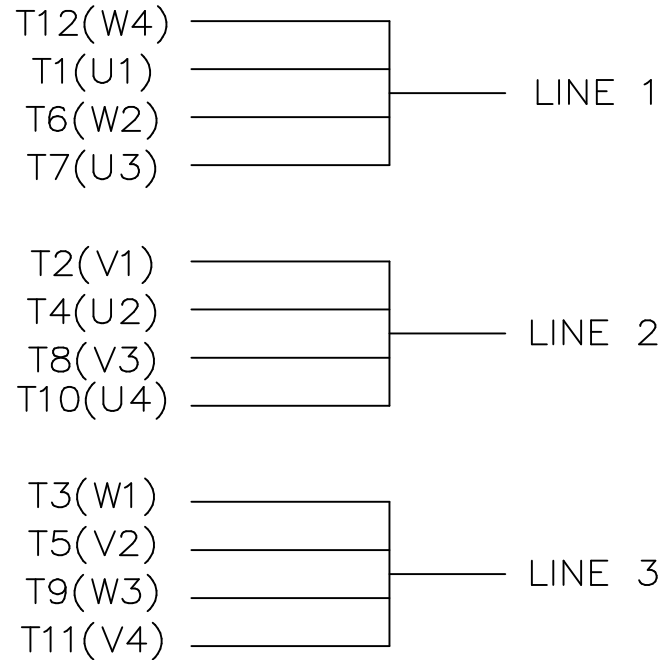
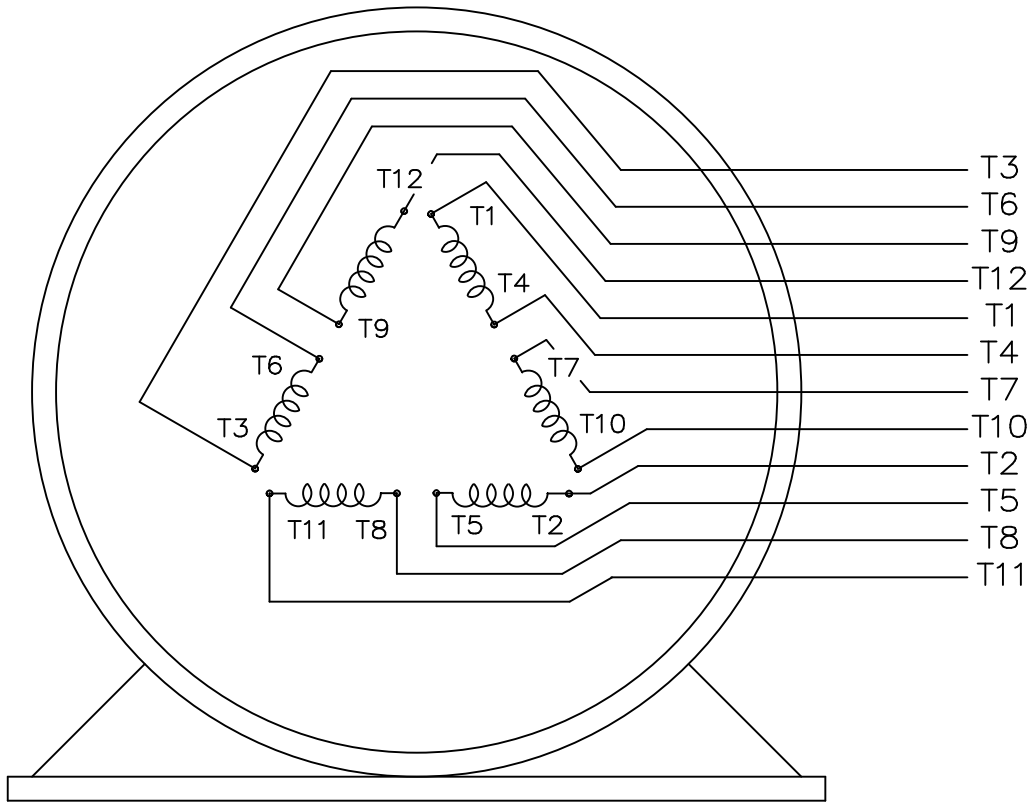


NOTES:


1. CONDUIT BOX CAN BE ROTATED IN 90° STEPS.
2. CONDUIT BOX CAN BE MOUNTED ON OPPOSITE SIDE BY REMOVING BRACKETS AND TURNING FRAME 180°.
3. NAMEPLATES TO BE READ FROM CONDUIT BOX SIDE OF MOTOR.

DASH	FRAME	B	C	2F	BS
1850	444TS	17.00	34.00	14.50	7.25
2050	445TS	19.00	36.00	16.50	8.25

		TOLERANCES UNLESS SPECIFIED				DRAWN KL 07-31-2007	
		DEC INCHES				CHK GFH 07-31-2003	
		X ±.1		APPR JES 07-31-2003		SCALE 1:5	
2		UPDATED TO CURRENT STD'S. MU114528		JJB 08-01-2013 TDB		TITLE OUTLINE	
1		NEW DRAWING MU47677		KL 07-31-2007		444/445TS FR. - DR. PR. STD.	
NO		REVISION		BY & DATE		REF	
		THIRD ANGLE PROJECTION		CHK LANG ±1/2°		FINISH	
				RFP 07-31-2003		PREV	
				NETWORK FILE NAME SS509642LN		PAGE OF	
						SIZE B	
						DRAWING NO SS509642LN	
						REV 2	



VIEW OF TERMINAL END

				TOLERANCES UNLESS SPECIFIED			DRAWN KL 04-23-2002		
				DEC.	INCHES		CHK DJK 04-24-2002		
				.X	±.1		APPD EAB 04-24-2002		
				.XX	±.01		SCALE 1=1		
2	ADDED IEC TERMINAL MARKINGS	CN 41429	JJB 05/24/2007	OML	.XXX	±.005	TITLE CONNECTION DIAGRAM - EXTERNAL 12 LEAD - SINGLE VOLTAGE		
1	NEW DRAWING	MU41562	KL 04-12-02		.XXXX	±.0005	MAT'L.		
NO.	REVISION		BY & DATE	CHK	ANG	±1/2"	FINISH		
THIS DRAWING IN DESIGN AND DETAIL IS OUR PROPERTY AND MUST NOT BE USED EXCEPT IN CONNECTION WITH OUR WORK ALL RIGHTS OF DESIGN AND INVENTION ARE RESERVED THIS IS AN ELECTRONICALLY GENERATED DOCUMENT - DO NOT SCALE THIS PRINT				RFP	CAD FILE ee7300bh_ln		SIZE	DRAWING NO. PAGE OF	REV.
				DIST	WA-SB		A	EE7300BH-LN 2	2



1051 CHEYENNE AVE.
GRAFTON, WI 53024
PH. 262-277-8810

DATA VOLTS: 460

CERTIFICATION DATA SHEET

CONN. DIAGRAM: A-EE7300BH-LN
OUTLINE: B-SS509642LN-1850
WINDING: T4444115

CAT #: LM80150

NONE 1

TYPICAL MOTOR PERFORMANCE DATA

HP	KW	SYNC RPM	FL RPM	FRAME	ENCLOSURE	TYPE	KVA CODE	DESIGN
150	112	1800	1782	444TS	DP	TDS	F	B

PH	HZ	VOLTS	AMPS	START TYPE	DUTY	INSL	S.F.	AMB	ELEV.
3	60/50	460#380	173&173	PWS & YDRUN	CONT	F	1.15	40	3300

F.L. EFF	95.0	3/4 LD EFF	95.0	1/2 LD EFF	94.1	GTD EFF	ELECT. TYPE
F.L. PF	85.0	3/4 LD PF	83.0	1/2 LD PF	77.0	94.1	SQ CAGE IND RUN

F.L. TORQUE	LR AMPS @ 460 V	L.R. TORQUE	B.D. TORQUE	F.L. RISE (° C)
442 LB-FT	1,000	775 LB-FT 175%	975 LB-FT 221%	55

PRESSURE @ 3	SOUND	POWER	ROTOR WK²	MAX. LOAD WK²	SAFE STALL TIME	STARTS/HOUR	MOTOR WGT
80 dBA	89 dBA		37.0 LB-FT²	700 LB-FT²	20 SEC.	2	1125 LB.

***** SUPPLEMENTAL INFORMATION *****

DE BRACKET TYPE	ODE BRACKET TYPE	MOUNT TYPE	MOTOR ORIENTATION	SEVERE DUTY	HAZARDOUS LOCATION	DRIP COVER	SCREENS	PAINT
STANDARD	STANDARD	RIGID	HORIZONTAL	NO	NONE	NO	NONE	WATTS AVER

BEARINGS		GREASE	SHAFT TYPE	SPECIAL DE	SPECIAL ODE	SHAFT MATERIAL	FRAME MATERIAL
DE	ODE	POLYREX EM	TS	NONE	NONE	1045 HOT ROLLED (C-204)	CAST IRON
BALL	BALL						
6313	6313						

THERMOSTATS	PROTECTORS	WDG RTD's	BRG RTD's	THERMISTORS	CONTROL	SPACE HEATERS
NONE	NOT	NONE	NONE	NONE	FALSE	NA

R1 (ohms/ph)	R2 (ohms/ph)	X1 (ohms/ph)	X2 (ohms/ph)	Xm (ohms/ph)	VIBRATION (in/sec)	FLOAT
0.023	0.016	0.183	0.221	5.099	0.150	ODE

* N O T E S *	INVERTER TORQUE: NONE INV. HP SPEED RANGE: NONE					
	ENCODER: NONE NONE NONE					
	BRAKE: NONE NONE NONE					
	NONE PPR					
	NONE					

DATE:	8/31/2018	BRAKE: NONE NONE	NONE	NONE	FT-LB: NA VOLTAGE: NONE	HZ:
UL: NONE						

Data Sheet

Date: 8/31/2018

LM80150



Data @ **460 V**

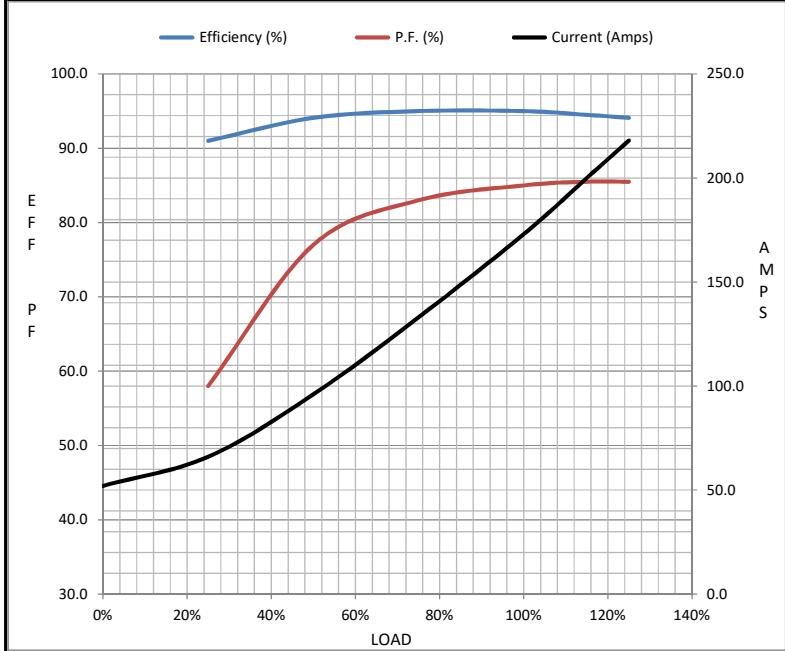
Motor Load Data

Load	0%	25%	50%	75%	100%	115%	125%	LR
Current (Amps)	52.0	66.0	96.0	133	173	200	218	1,000
Torque (ft-lb)	0.00	110	220	331	442	510	555	775
RPM	1800	1795	1792	1785	1782	1,780	1775	0
Efficiency (%)		91.0	94.1	95.0	95.0	94.5	94.1	
P.F. (%)	6.0	58.0	77.0	83.0	85.0	85.5	85.5	32.0

Motor Speed Data

	LR	Pull-Up	BD	Rated	Idle
Speed (RPM)	0	900	1725	1782	1800
Current (Amps)	1,000	850	550	173	52.0
Torque (ft-lb)	775	700	975	442	0.00

Information Block				
HP	150.0			
Sync. RPM	1800			
Frame	444			
Enclosure	DP			
Construction	TDS			
Voltage	460#380 V			
Frequency	60 Hz			
Design	B			
LR Code letter	F			
Service Factor	1.15			
Temp Rise @ FL	55 ° C			
Duty	CONT			
Ambient	40 ° C			
Elevation	1,000 feet			
Rotor/Shaft wk ²	37.0 Lb-Ft ²			
Ref Wdg	T4444115 NONE			
Sound Pressure @ 1M	80 dBA			
VFD Rating	NONE			
Outline Dwg	B-SS509642LN-1850			
Conn. Diag	A-EE7300BH-LN			
Additional Specifications:				
0				
0				
EQUIV CKT (OHMS / PHASE)				
R1	R2	X1	X2	Xm
0.0230	0.0160	0.1830	0.2210	5.0990



Speed - Torque Curve

