

PRODUCT INFORMATION PACKET



Model No: LM80143
Catalog No: LM80143
125 HP Fire Pump Motor, 3 phase, 1800 RPM, 200/400 V, 405TS Frame, ODP
Fire Pump Motors



Regal and Leeson are trademarks of Regal Rexnord Corporation or one of its affiliated companies.
©2021 Regal Rexnord Corporation, All Rights Reserved. MC017097E





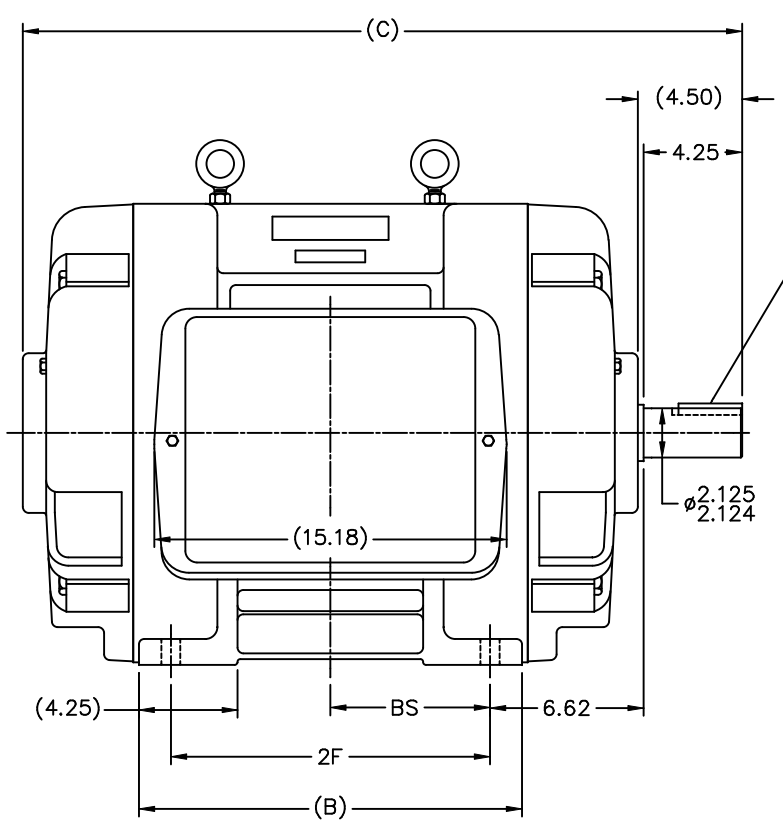
Nameplate Specifications

Output HP	125 Hp	Output KW	93.0 kW
Frequency	60 Hz	Voltage	200/400 V
Current	331.0/166.0 A	Speed	1778 rpm
Service Factor	1.15	Phase	3
Efficiency	94.5 %	Power Factor	87
Duty	Continuous	Insulation Class	F
Design Code	B	KVA Code	G
Frame	405TS	Enclosure	Drip Proof
Thermal Protection	No	Ambient Temperature	40 °C
Drive End Bearing Size	6313	Opp Drive End Bearing Size	6313
UL	No	CSA	Y
CE	Y	IP Code	12
Number of Speeds	1		

Technical Specifications

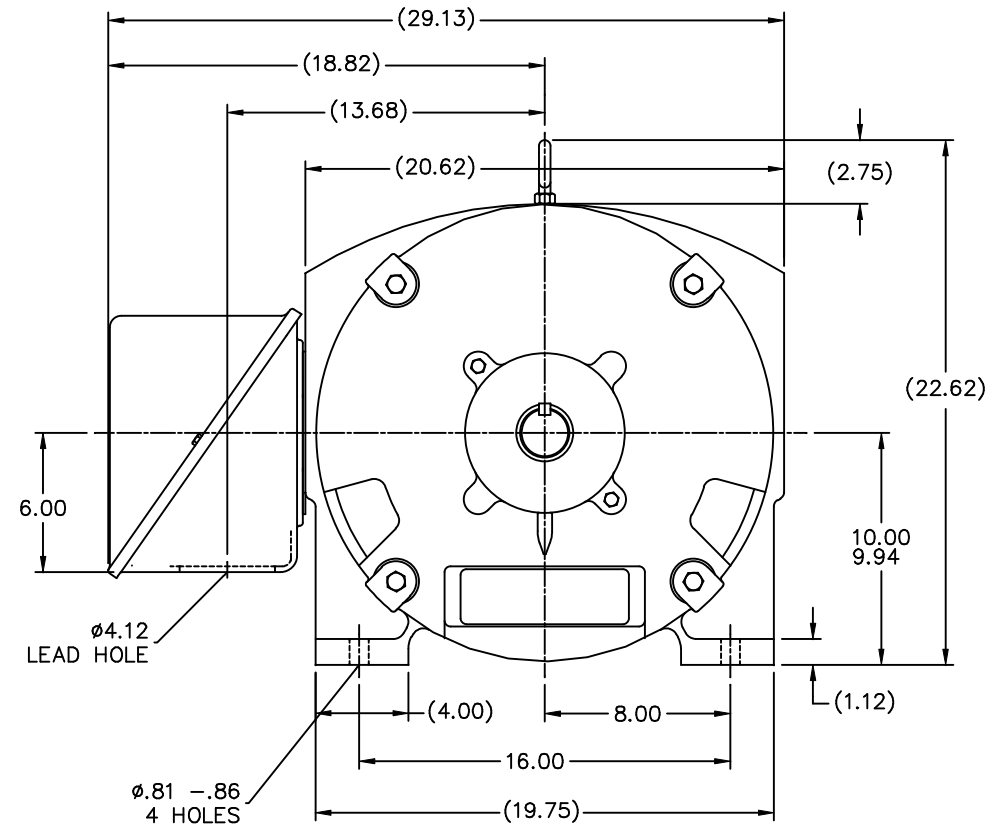
Electrical Type	Squirrel Cage Induction Run	Starting Method	Wye Start Delta Run
Poles	4	Rotation	Reversible
Resistance Main	.045 Ohms	Mounting	Rigid Base
Motor Orientation	Horizontal	Drive End Bearing	Ball
Opp Drive End Bearing	Ball	Frame Material	Cast Iron
Shaft Type	TS	Overall Length	31.00 in
Frame Length	17.02 in	Shaft Diameter	2.125 in
Shaft Extension	4.25 in	Assembly/Box Mounting	F1/F2 CAPABLE
Connection Drawing	A-EE7308AA-LN	Outline Drawing	B-SS509257LN-1700

This is an uncontrolled document once printed or downloaded and is subject to change without notice. Date Created:10/12/2021



.50x.50x
2.75 KEY

∅2.125
2.124

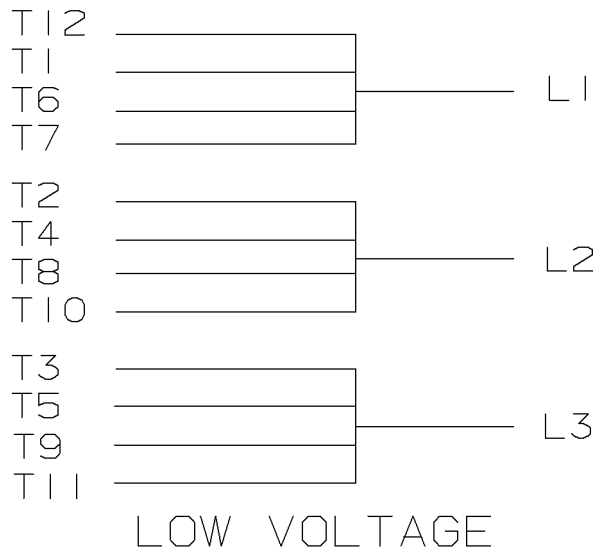


- NOTES:
 1. CONDUIT BOX CAN BE ROTATED IN 90° STEPS.
 2. CONDUIT BOX CAN BE MOUNTED ON OPPOSITE SIDE BY REMOVING BRACKETS AND TURNING FRAME 180°.
 3. NAMEPLATES TO BE READ FROM CONDUIT BOX SIDE OF MOTOR

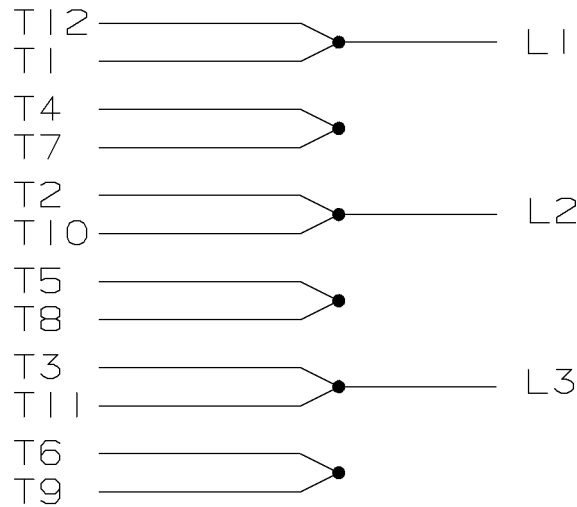
(B-SS511744)

DASH	FRAME	B	C	2F	BS
1550	404TS	15.00	29.50	12.25	6.12
1700	405TS	16.50	31.00	13.75	6.88

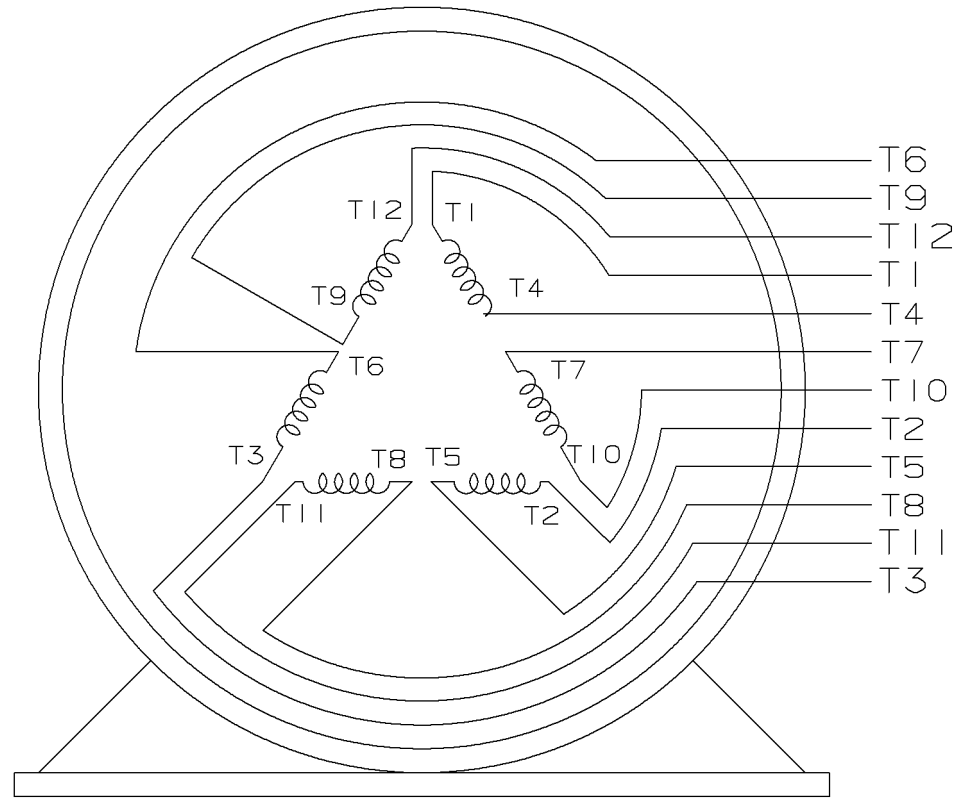
TOLERANCES UNLESS SPECIFIED		Lincoln MOTOR		DRAWN KL 07-20-2004				
DEC.	INCHES	CHK	ML	07-22-2004	APPD JES 07-22-2004			
.X	±.1							
.XX	±.03	TITLE OUTLINE		SCALE 3=16				
.XXX	±.005	400TS FR. - DR.PR.		REF				
.XXXX	±.0005	MAT'L		FMF MU60811				
NO.	REVISION	BY & DATE	CHK	ANG	FINISH	PREV		
			RFP	07-23-2004	CAD FILE SS509257LN			
THIS DRAWING IN DESIGN AND DETAIL IS OUR PROPERTY AND MUST NOT BE USED EXCEPT IN CONNECTION WITH OUR WORK ALL RIGHTS OF DESIGN AND INVENTION ARE RESERVED THIS IS AN ELECTRONICALLY GENERATED DOCUMENT - DO NOT SCALE THIS PRINT			DIST	WA	SIZE B	DRAWING NO. SS509257LN	PAGE OF	REV.



LOW VOLTAGE



HIGH VOLTAGE



VIEW OF TERMINAL END

					UNLESS OTHERWISE SPECIFIED DIMENSIONS ARE IN INCHES TOL. ON XX±.02 XXX±.005 XXXX±.0005 ANGLES± 7'30"			
2	08-09-1999	RE-ISSUE, ADDED '-' TO PART NUMBER	BLR		MAX. SURFACE ROUGHNESS UNLESS OTHERWISE NOTED		DRAWN BY TRB CHKD BY ML	07-16-1999 06-18-1999
1	06-18-1999	NEW DRAWING	TRB	MATERIAL		APPD BY GK	06-18-1999	
REV	DATE	CHANGE	NAME	PART NAME 3 PHASE CONNECTION DIAGRAM 2/1 DELTA - 12 LEADS				DRWG NO A- EE7308AA-LN

PURCHASED

CADD FILE NO.

EE7308AALN

ERROR: undefined
OFFENDING COMMAND: Pscrip

STACK:



1051 CHEYENNE AVE.
GRAFTON, WI 53024
PH. 262-277-8810

DATA VOLTS: 460

CERTIFICATION DATA SHEET

CONN. DIAGRAM: A-EE7308AA-LN
OUTLINE: B-SS509257LN-1700
WINDING: T4054138

CAT #: LM80143

NONE 2

TYPICAL MOTOR PERFORMANCE DATA

HP	KW	SYNC RPM	FL RPM	FRAME	ENCLOSURE	TYPE	KVA CODE	DESIGN
125	93	1800	1778	405TS	DP	TDS	G	B

PH	HZ	VOLTS	AMPS	START TYPE	DUTY	INSL	S.F.	AMB	ELEV.
3	60	200/400	331/166	VVE START DELTA RUN	CONT	F	1.15	40	3300

F.L. EFF	94.5	3/4 LD EFF	94.5	1/2 LD EFF	93.6	GTD EFF	ELECT. TYPE
F.L. PF	87.0	3/4 LD PF	84.5	1/2 LD PF	78.0	93.6	SQ CAGE IND RUN

F.L. TORQUE	LR AMPS @ 460 V	L.R. TORQUE	B.D. TORQUE	F.L. RISE (° C)
#VALUE! LB-FT	#VALUE!	#VALUE! LB-FT #VALUE!	#VALUE! LB-FT #VALUE!	#VALUE!

PRESSURE @ 3	SOUND	POWER	ROTOR WK²	MAX. LOAD WK²	SAFE STALL TIME	STARTS/HOUR	MOTOR WGT
#VALUE! dBA	#VALUE! dBA	#VALUE! LB-FT²	0 LB-FT²	0 LB-FT²	20 SEC.	0	1150 LB.

***** SUPPLEMENTAL INFORMATION *****

DE BRACKET TYPE	ODE BRACKET TYPE	MOUNT TYPE	MOTOR ORIENTATION	SEVERE DUTY	HAZARDOUS LOCATION	DRIP COVER	SCREENS	PAINT
STANDARD	STANDARD	RIGID	HORIZONTAL	NO	NONE	NO	NONE	WATTSAVER

BEARINGS		GREASE	SHAFT TYPE	SPECIAL DE	SPECIAL ODE	SHAFT MATERIAL	FRAME MATERIAL
DE	ODE	POLYREX EM	TS	NONE	NONE	1045 HOT ROLLED (C-204)	CAST IRON
BALL	BALL						
6313	6313						

THERMOSTATS	PROTECTORS	WDG RTD's	BRG RTD's	THERMISTORS	CONTROL	SPACE HEATERS
NONE	NOT	NONE	NONE	NONE	FALSE	NA

R1 (ohms/ph)	R2 (ohms/ph)	X1 (ohms/ph)	X2 (ohms/ph)	Xm (ohms/ph)	VIBRATION (in/sec)	FLOAT
0.024	0.016	0.142	0.161	3.893	0.150	ODE

* N O T E S *	INVERTER TORQUE: NONE INV. HP SPEED RANGE: NONE					
	ENCODER: NONE NONE NONE					
	BRAKE: NONE NONE NONE					
	FT-LB: NA VOLTAGE: NONE HZ:					
	UL: NONE					

DATE: 8/31/2018

Data Sheet

Date: 8/31/2018

LM80143



Data @ **400 V**

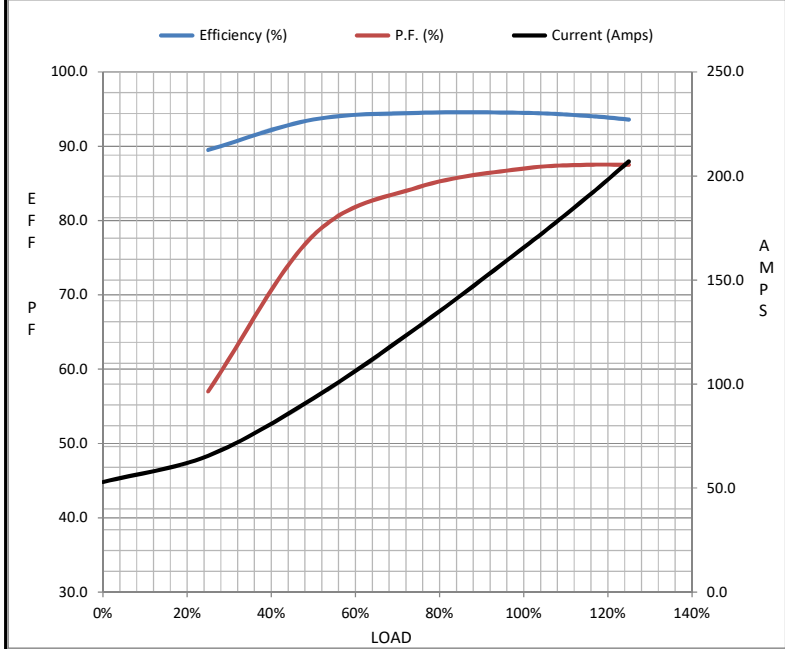
Motor Load Data

Load	0%	25%	50%	75%	100%	115%	125%	LR
Current (Amps)	52.9	65.6	93.2	128	166	190	207	1,006
Torque (ft-lb)	0.00	91.5	183	276	369	425	463	700
RPM	1800	1795	1788	1782	1778	1,772	1768	0
Efficiency (%)		89.5	93.6	94.5	94.5	94.1	93.6	
P.F. (%)	6.0	57.0	78.0	84.5	87.0	87.5	87.5	35.0

Motor Speed Data

	LR	Pull-Up	BD	Rated	Idle
Speed (RPM)	0	900	1715	1778	1800
Current (Amps)	1,006	920	575	166	52.9
Torque (ft-lb)	700	650	950	369	0.00

Information Block				
HP	125.0			
Sync. RPM	1800			
Frame	405			
Enclosure	DP			
Construction	TDS			
Voltage	200/400 V			
Frequency	60 Hz			
Design	B			
LR Code letter	G			
Service Factor	1.15			
Temp Rise @ FL	55 ° C			
Duty	CONT			
Ambient	40 ° C			
Elevation	1,000 feet			
Rotor/Shaft wk ²	26.5 Lb-Ft ²			
Ref Wdg	T4054138 NONE			
Sound Pressure @ 1M	80 dBA			
VFD Rating	NONE			
Outline Dwg	B-SS509257LN-1700			
Conn. Diag	A-EE7308AA-LN			
Additional Specifications:				
0				
0				
EQUIV CKT (OHMS / PHASE)				
R1	R2	X1	X2	Xm
0.0240	0.0160	0.1420	0.1610	3.8930



Speed - Torque Curve

