

PRODUCT INFORMATION PACKET



Model No: LM80106
Catalog No: LM80106

Fire Pump Motor, 25 & 20 HP, 3 Ph, 60 & 50 Hz, 230/460 & 190/380 V, 1800 & 1500 RPM, 284T Frame, DP



Regal and Leeson are trademarks of Regal Rexnord Corporation or one of its affiliated companies.
©2023 Regal Rexnord Corporation, All Rights Reserved. MC017097E



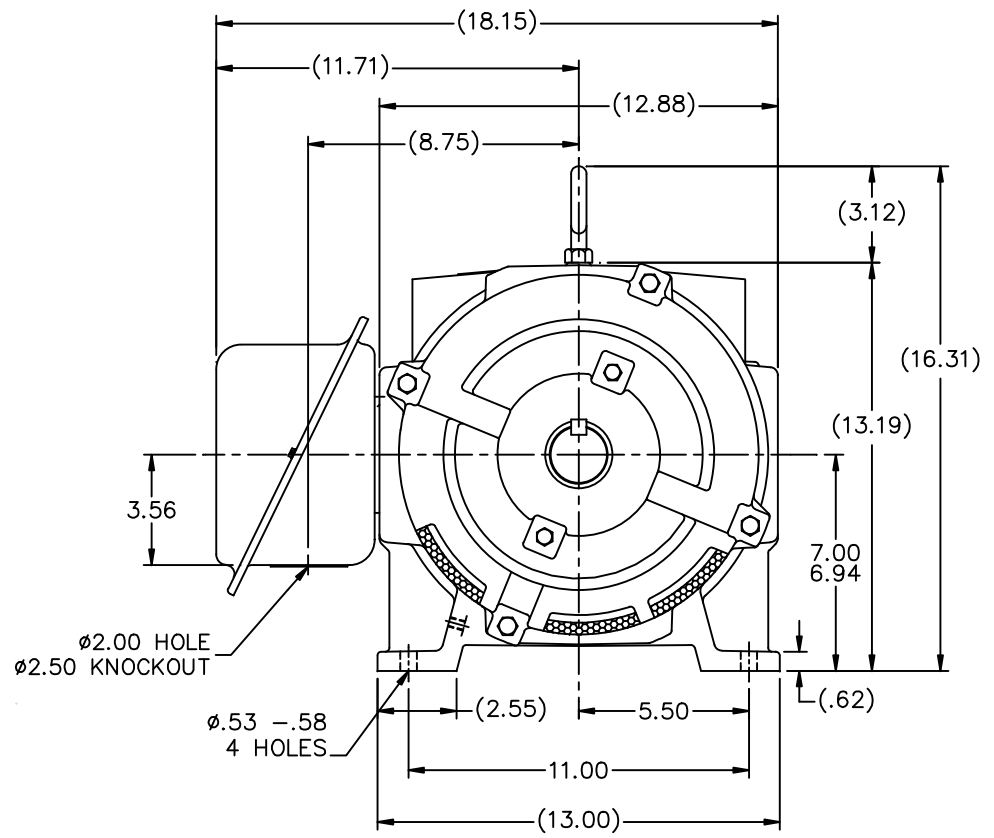
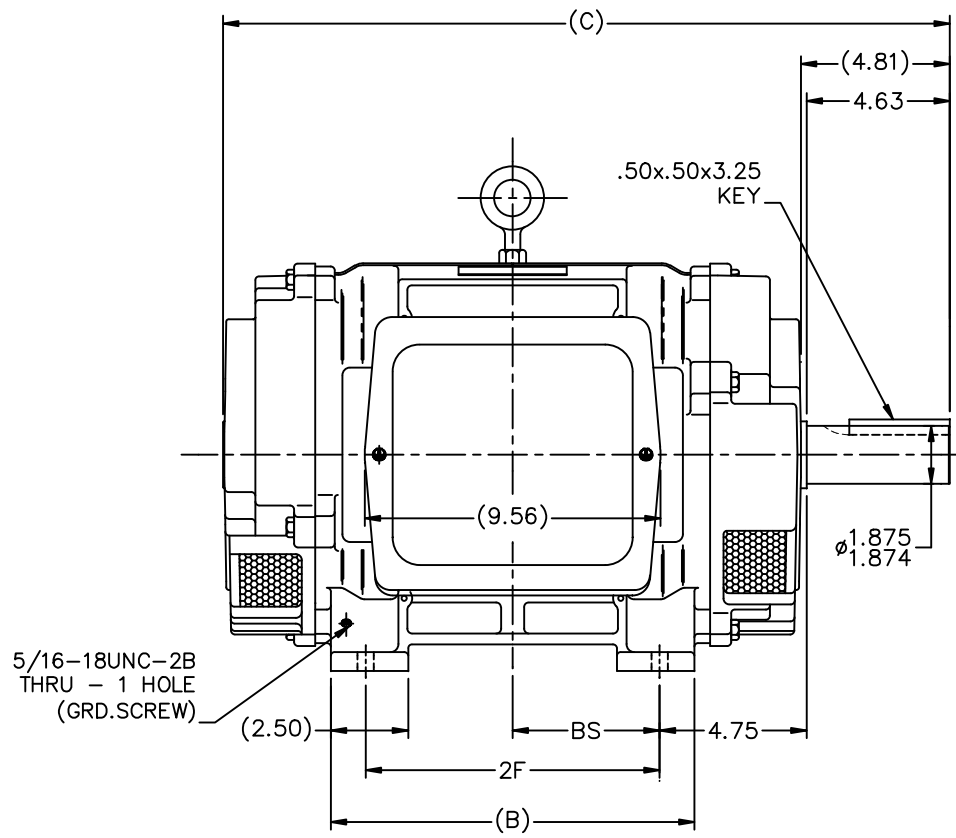


Nameplate Specifications

Phase	3	Output HP	25 & 20 Hp
Output KW	18.7 & 14.9 kW	Voltage	230/460 & 190/380 V
Speed	1765 & 1468 rpm	Service Factor	1.15 & 1.15
Frame	284T	Enclosure	Drip Proof
Thermal Protection	No Protection	Efficiency	91.7 & 91 %
Ambient Temperature	40 °C	Frequency	60 & 50 Hz
Current	61/30.5 & 59/29.5 A	Power Factor	84
Duty	Continuous	Insulation Class	F
Design Code	B	KVA Code	F
Drive End Bearing Size	311	Opp Drive End Bearing Size	210
UL	No	CSA	Y
CE	Y	IP Code	12
Number of Speeds	1		

Technical Specifications

Electrical Type	Squirrel Cage Induction Run	Starting Method	Part Wdg Start Low Volt Only & Wye Start Delta Run
Poles	4	Rotation	Reversible
Resistance Main	.399 Ohms	Mounting	Rigid Base
Motor Orientation	Horizontal	Drive End Bearing	Ball
Opp Drive End Bearing	Ball	Frame Material	Cast Iron
Shaft Type	T	Overall Length	23.49 in
Frame Length	12.75 in	Shaft Diameter	1.875 in
Shaft Extension	4.63 in	Assembly/Box Mounting	F1/F2 CAPABLE
Connection Drawing	A-EE7308AA-LN	Outline Drawing	B-SS200030LN-1275

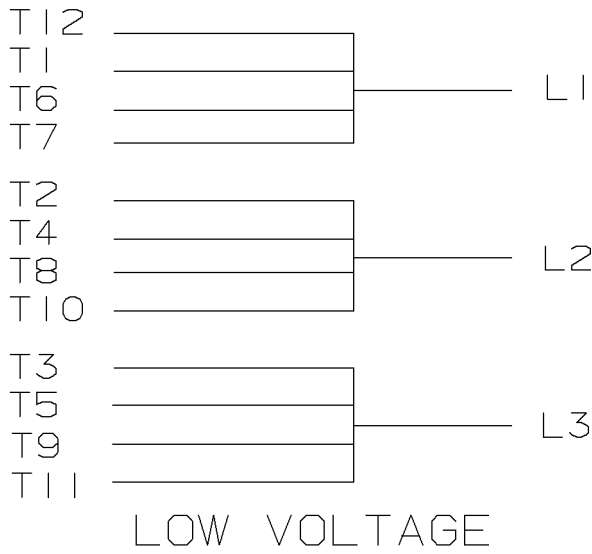


NOTES

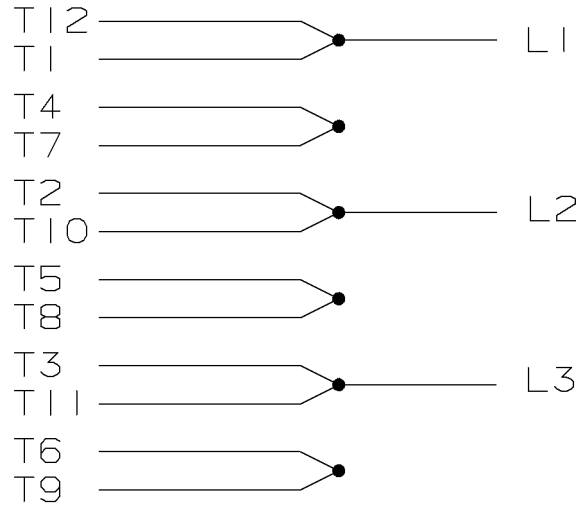
- 1. BOX CAN BE ROTATED IN 90° STEPS
- 2. BOX CAN BE MOUNTED ON OPPOSITE SIDE BY REMOVING BRACKETS AND TURNING FRAME 180°
- 3. NAMEPLATE TO BE READ FROM CONDUIT BOX SIDE OF MOTOR

DASH	FRAME	B	C	2F	BS
1275	284T	11.75	23.49	9.50	4.75
1425	286T	13.25	24.99	11.00	5.50

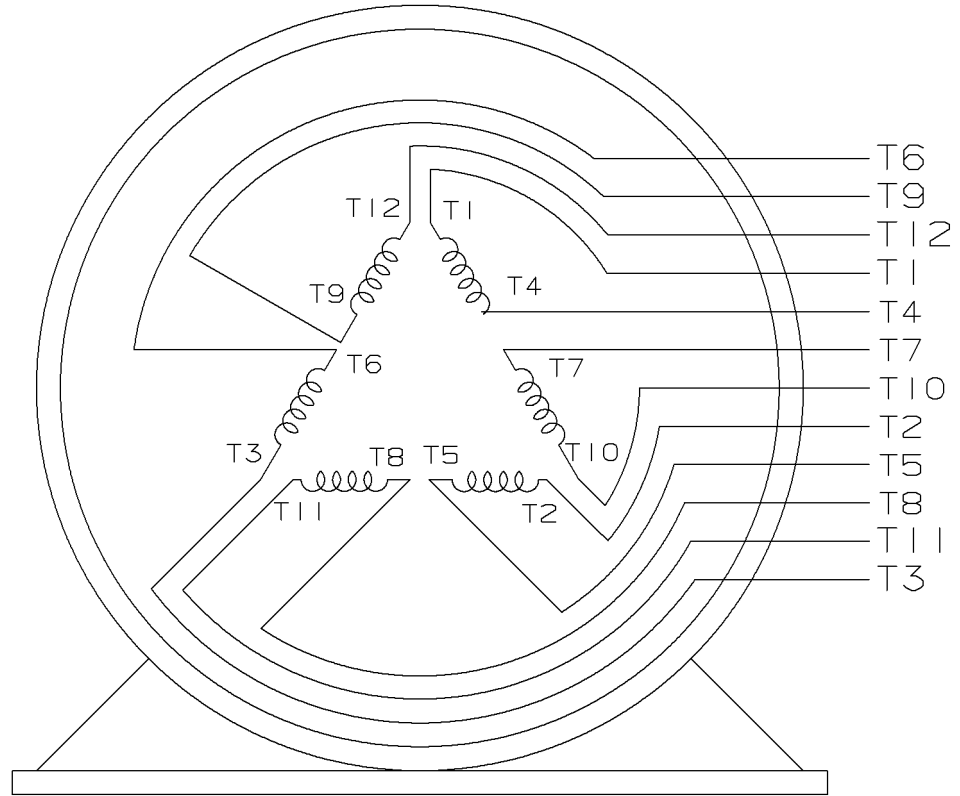
		TOLERANCES UNLESS SPECIFIED		Lincoln MOTOR		DRAWN CTO 12-12-2003	
		DEC.	INCHES			CHK	ML 12-12-2003
		.X	±.1			APPD	BW 12-12-2003
		.XX	±.03	TITLE OUTLINE - DR.PR. - CAST IRON		SCALE	1=4
		.XXX	±.005	280T FR. - BB - TS - DBL. END VENT.		REF	
		.XXXX	±.0005	MAT'L		FMF	MU49135
		CHK	ANG ±7'30"	FINISH		PREV	
NO.		REVISION	BY & DATE	RFP	12-12-2003	CAD FILE	ss200030ln
THIS DRAWING IN DESIGN AND DETAIL IS OUR PROPERTY AND MUST NOT BE USED EXCEPT IN CONNECTION WITH OUR WORK ALL RIGHTS OF DESIGN AND INVENTION ARE RESERVED THIS IS AN ELECTRONICALLY GENERATED DOCUMENT - DO NOT SCALE THIS PRINT						SIZE	DRAWING NO. PAGE OF REV.
						B	SS200030LN 2



LOW VOLTAGE



HIGH VOLTAGE



VIEW OF TERMINAL END

					UNLESS OTHERWISE SPECIFIED DIMENSIONS ARE IN INCHES TOL. ON XX±.02 XXX±.005 XXXX±.0005 ANGLES± 7'30"			
2	08-09-1999	RE-ISSUE, ADDED '-' TO PART NUMBER	BLR		MAX. SURFACE ROUGHNESS UNLESS OTHERWISE NOTED		DRAWN BY TRB 07-16-1999	
1	06-18-1999	NEW DRAWING	TRB	FINISH		CHKD BY ML 06-18-1999		
				MATERIAL		APPD BY GK 06-18-1999		
REV	DATE	CHANGE	NAME	PART NAME 3 PHASE CONNECTION DIAGRAM 2/1 DELTA - 12 LEADS			DRWG NO A- EE7308AA-LN	

PURCHASED

CADD FILE NO.

EE7308AALN

ERROR: undefined
OFFENDING COMMAND: Pscrip

STACK:



1051 CHEYENNE AVE.
GRAFTON, WI 53024
PH. 262-277-8810

DATA VOLTS: 460

CERTIFICATION DATA SHEET

CONN. DIAGRAM: A-EE7308AA-LN
OUTLINE: B-SS200030LN-1275
WINDING: K2564256

CAT #: LM80106

NONE 1

TYPICAL MOTOR PERFORMANCE DATA

HP	KW	SYNC RPM	FL RPM	FRAME	ENCLOSURE	TYPE	KVA CODE	DESIGN
25	18.7	1800	1765	284T	DP	TDP	F	B

PH	HZ	VOLTS	AMPS	START TYPE	DUTY	INSL	S.F.	AMB	ELEV.
3	60/50	230/460#190/380	61/30.5&59/29.5	PWS(LV ONLY) & YDRU	CONT	F	1.15	40	3300

F.L. EFF	91.7	3/4 LD EFF	92.4	1/2 LD EFF	91.7	GTD EFF	ELECT. TYPE
F.L. PF	84.0	3/4 LD PF	82.0	1/2 LD PF	74.0	90.2	SQ CAGE IND RUN

F.L. TORQUE	LR AMPS @ 460 V	L.R. TORQUE	B.D. TORQUE	F.L. RISE (° C)
74.5 LB-FT	170	120 LB-FT 161%	170 LB-FT 228%	45

PRESSURE @ 3	SOUND	POWER	ROTOR WK²	MAX. LOAD WK²	SAFE STALL TIME	STARTS/HOUR	MOTOR WGT
72 dBA	81 dBA		2.70 LB-FT²	135 LB-FT²	20 SEC.	2	360 LB.

***** SUPPLEMENTAL INFORMATION *****

DE BRACKET TYPE	ODE BRACKET TYPE	MOUNT TYPE	MOTOR ORIENTATION	SEVERE DUTY	HAZARDOUS LOCATION	DRIP COVER	SCREENS	PAINT
STANDARD	STANDARD	RIGID	HORIZONTAL	NO	NONE	NO	NONE	WATTSAVER

BEARINGS		GREASE	SHAFT TYPE	SPECIAL DE	SPECIAL ODE	SHAFT MATERIAL	FRAME MATERIAL
DE	ODE	POLYREX EM	T	NONE	NONE	1045 HOT ROLLED (C-204)	CAST IRON
BALL	BALL						
311	210						

THERMOSTATS	PROTECTORS	WDG RTD's	BRG RTD's	THERMISTORS	CONTROL	SPACE HEATERS
NONE	NOT	NONE	NONE	NONE	FALSE	NA

R1 (ohms/ph)	R2 (ohms/ph)	X1 (ohms/ph)	X2 (ohms/ph)	Xm (ohms/ph)	VIBRATION (in/sec)	FLOAT
0.257	0.165	0.935	1.391	25.764	0.150	ODE

* N O T E S *	INVERTER TORQUE: NONE INV. HP SPEED RANGE: NONE					
	ENCODER: NONE NONE NONE					
	BRAKE: NONE NONE					
	FT-LB: NA VOLTAGE: NONE					
	UL: NONE					

DATE: 8/30/2018

BRAKE: NONE
NONE
FT-LB: NA
VOLTAGE: NONE
UL: NONE

Data Sheet

Date: 8/30/2018

LM80106



Data @ **460 V**

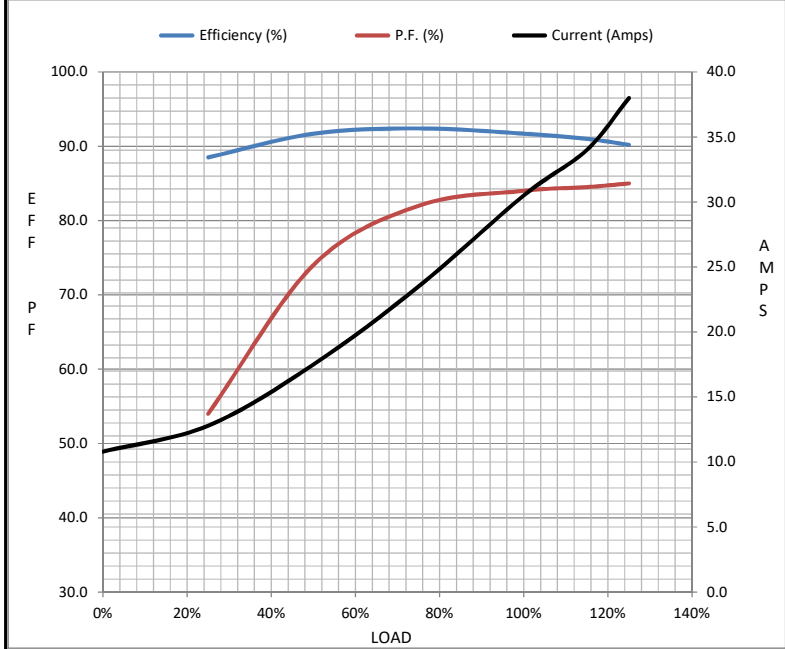
Motor Load Data

Load	0%	25%	50%	75%	100%	115%	125%	LR
Current (Amps)	10.8	12.8	17.5	23.5	30.5	34.0	38.0	170
Torque (ft-lb)	0.00	18.5	36.5	56.0	74.5	84.0	94.0	120
RPM	1800	1795	1785	1775	1765	1,760	1755	0
Efficiency (%)		88.5	91.7	92.4	91.7	91.0	90.2	
P.F. (%)	6.5	54.0	74.0	82.0	84.0	84.5	85.0	38.0

Motor Speed Data

	LR	Pull-Up	BD	Rated	Idle
Speed (RPM)	0	1250	1650	1765	1800
Current (Amps)	170	155	105	30.5	10.8
Torque (ft-lb)	120	115	170	74.5	0.00

Information Block				
HP	25.0			
Sync. RPM	1800			
Frame	284			
Enclosure	DP			
Construction	TDP			
Voltage	230/460#190/380 V			
Frequency	60 Hz			
Design	B			
LR Code letter	F			
Service Factor	1.15			
Temp Rise @ FL	45 ° C			
Duty	CONT			
Ambient	40 ° C			
Elevation	1,000 feet			
Rotor/Shaft wk ²	2.70 Lb-Ft ²			
Ref Wdg	K2564256 NONE			
Sound Pressure @ 1M	72 dBA			
VFD Rating	NONE			
Outline Dwg	B-SS200030LN-1275			
Conn. Diag	A-EE7308AA-LN			
Additional Specifications:				
0				
0				
EQUIV CKT (OHMS / PHASE)				
R1	R2	X1	X2	Xm
0.2570	0.1650	0.9350	1.3910	25.7640



Speed - Torque Curve

