

PRODUCT INFORMATION PACKET



Model No: LM80045
Catalog No: LM80045
300 HP, Fire Pump Motors, 3 phase, 1800 RPM, 400 V, 447/449T Frame, TEFC
Fire Pump Motors



Regal and Leeson are trademarks of Regal Rexnord Corporation or one of its affiliated companies.
©2021 Regal Rexnord Corporation, All Rights Reserved. MC017097E





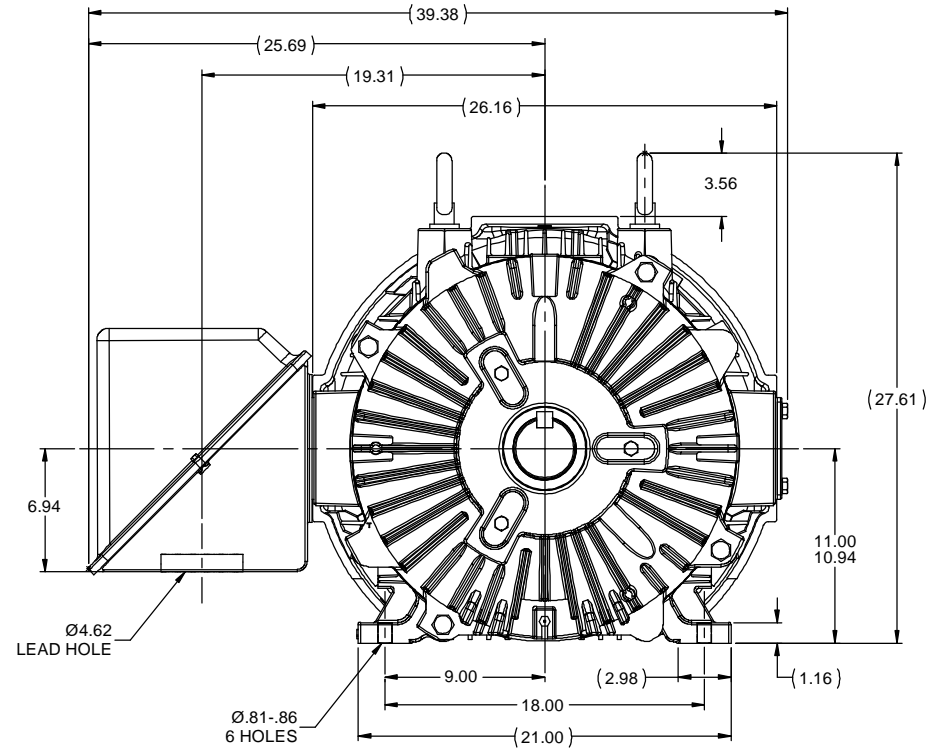
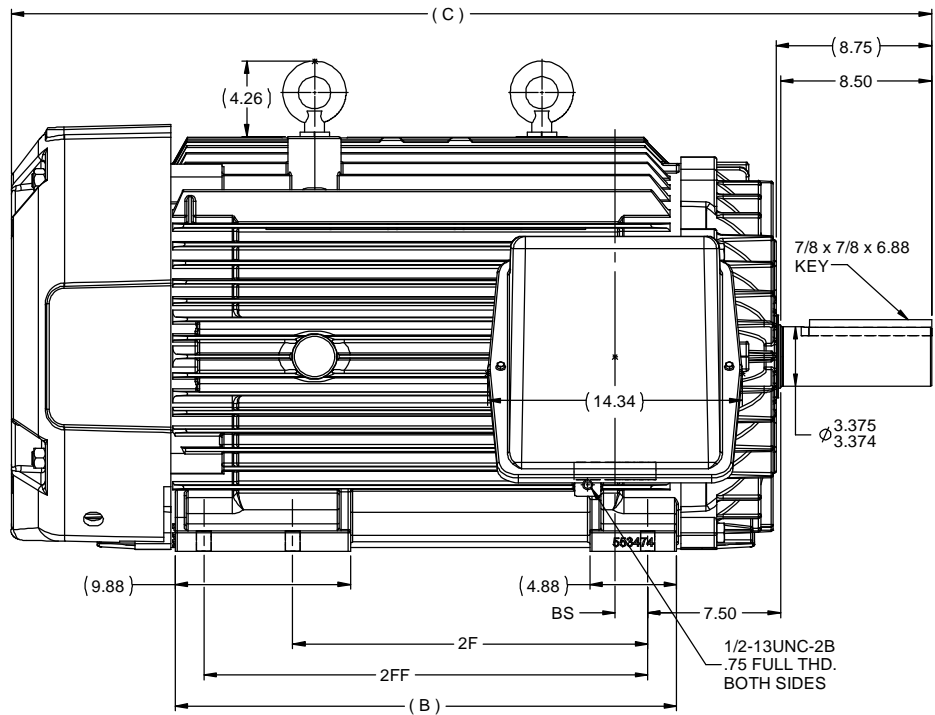
Nameplate Specifications

Output HP	300 Hp	Output KW	224.0 kW
Frequency	60 Hz	Voltage	400 V
Current	385.0 A	Speed	1788 rpm
Service Factor	1.15	Phase	3
Efficiency	95.4 %	Power Factor	87
Duty	Continuous	Insulation Class	F
Design Code	B	KVA Code	G
Frame	447/449T	Enclosure	Totally Enclosed Fan Cooled
Thermal Protection	No	Ambient Temperature	40 °C
Drive End Bearing Size	6319	Opp Drive End Bearing Size	6318
UL	Recognized	CSA	Y
CE	Y	IP Code	43
Number of Speeds	1		

Technical Specifications

Electrical Type	Squirrel Cage Induction Run	Starting Method	Part Wdg Start & Wye Start Delta Run
Poles	4	Rotation	Reversible
Resistance Main	.0085 Ohms	Mounting	Rigid Base
Motor Orientation	Horizontal	Drive End Bearing	Ball
Opp Drive End Bearing	Ball	Frame Material	Cast Iron
Shaft Type	T	Overall Length	51.86 in
Frame Length	28.77 in	Shaft Diameter	3.375 in
Shaft Extension	8.5 in	Assembly/Box Mounting	F1/F2 CAPABLE
Connection Drawing	A-EE7300BH-LN	Outline Drawing	B-SS515635LN-2875

This is an uncontrolled document once printed or downloaded and is subject to change without notice. Date Created:10/07/2021



NOTES:
 1- C'BOX CAN BE ROTATED IN 90° STEPS.
 2- NAMEPLATES TO BE READ FROM C'BOX SIDE OF MOTOR.
 3- C'BOX CAN BE MOUNTED IN F2 POSITION.

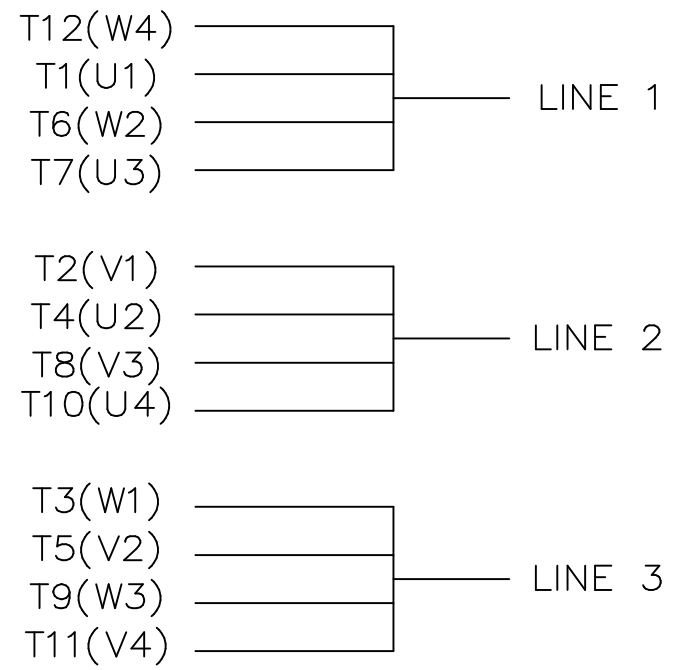
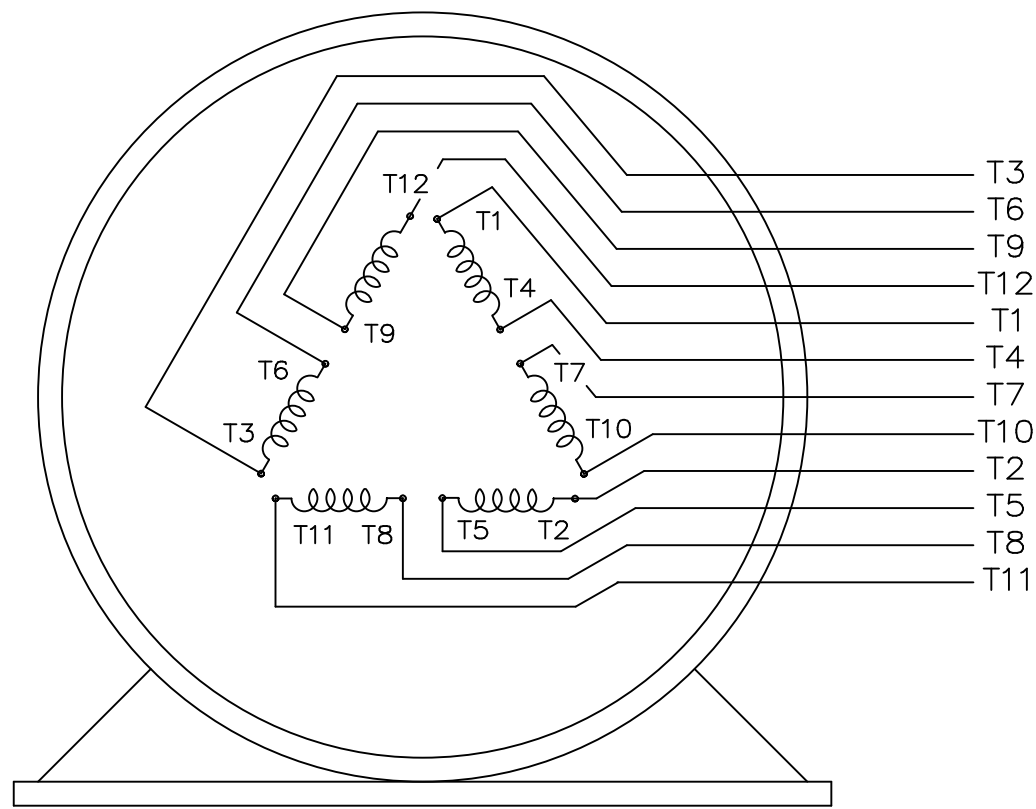
DASH	FRAME	B	C	2F	2FF	BS
2875	447T	28.25	51.86	20.00	---	1.84
2875	449T	28.25	51.86	---	25.00	1.84

REVISION		BY & DATE	CHK	LANG	±1/2°	FINISH	NO	OF
4	UPDATED FRAME TO CURRENT STD'S. ISAAC 09-5049	JJB 4/13/2012	MH	X	±.1			
3	REMOVED BAFFLE CN 39113	DRS 7/22/2005	ML	XX	±.03	TITLE OUTLINE		
2	ADDED EXTERNAL BAFFLE CN 39113	DRS 6/22/2005	ML	XXX	±.005	447-449T FR. - TEFC - STD.		
1	NEW DRAWING MU40937	KL 3/27/2002	JHL	XXXX	±.0005	MATL		


TOLERANCES UNLESS SPECIFIED		DRAWING NO		REV
DEC	INCHES	SS515635LN		4

THIRD ANGLE PROJECTION	SIZE	DRAWING NO	REV
	B	SS515635LN	4





VIEW OF TERMINAL END

				TOLERANCES UNLESS SPECIFIED			DRAWN KL 04-23-2002		
				DEC.	INCHES		CHK DJK 04-24-2002		
				.X	±.1		APPD EAB 04-24-2002		
				.XX	±.01		SCALE 1=1		
2	ADDED IEC TERMINAL MARKINGS	CN 41429	JJB 05/24/2004	ML	.XXX	±.005	TITLE CONNECTION DIAGRAM - EXTERNAL 12 LEAD - SINGLE VOLTAGE		
1	NEW DRAWING	MU41562	KL 04-12-02		.XXXX	±.0005	MAT'L.		
NO.	REVISION		BY & DATE	CHK	ANG	±1/2"	FINISH		
THIS DRAWING IN DESIGN AND DETAIL IS OUR PROPERTY AND MUST NOT BE USED EXCEPT IN CONNECTION WITH OUR WORK ALL RIGHTS OF DESIGN AND INVENTION ARE RESERVED THIS IS AN ELECTRONICALLY GENERATED DOCUMENT - DO NOT SCALE THIS PRINT				RFP	CAD FILE ee7300bh_ln		SIZE	DRAWING NO. PAGE OF	REV.
				DIST	WA-SB		A	EE7300BH-LN 2	2



1051 CHEYENNE AVE.
GRAFTON, WI 53024
PH. 262-277-8810

DATA VOLTS: 460

CERTIFICATION DATA SHEET

CONN. DIAGRAM: A-EE7300BH-LN
OUTLINE: B-SS515635LN-2875
WINDING: T4494191

CAT #: LM80045

NONE 2

TYPICAL MOTOR PERFORMANCE DATA

HP	KW	SYNC RPM	FL RPM	FRAME	ENCLOSURE	TYPE	KVA CODE	DESIGN
300	224	1800	1788	447/449T	TEFC	TFN	G	B

PH	HZ	VOLTS	AMPS	START TYPE	DUTY	INSL	S.F.	AMB	ELEV.
3	60	400	385	PWS & YDRUN	CONT	F	1.15	40	3300

F.L. EFF	95.4	3/4 LD EFF	95.4	1/2 LD EFF	94.1	GTD EFF	ELECT. TYPE
F.L. PF	87.0	3/4 LD PF	86.0	1/2 LD PF	80.0	94.5	SQ CAGE IND RUN

F.L. TORQUE	LR AMPS @ 460 V	L.R. TORQUE	B.D. TORQUE	F.L. RISE (° C)
882 LB-FT	2,473	1,600 LB-FT 181%	2,100 LB-FT 238%	80

PRESSURE @ 3	SOUND	POWER	ROTOR WK²	MAX. LOAD WK²	SAFE STALL TIME	STARTS/HOUR	MOTOR WGT
85 dBA	94 dBA		92.0 LB-FT²	2000 LB-FT²	25 SEC.	1	2950 LB.

***** SUPPLEMENTAL INFORMATION *****

DE BRACKET TYPE	ODE BRACKET TYPE	MOUNT TYPE	MOTOR ORIENTATION	SEVERE DUTY	HAZARDOUS LOCATION	DRIP COVER	SCREENS	PAINT
STANDARD	STANDARD	RIGID	HORIZONTAL	NO	NONE	NO	NONE	WATTS AVER

BEARINGS		GREASE	SHAFT TYPE	SPECIAL DE	SPECIAL ODE	SHAFT MATERIAL	FRAME MATERIAL
DE	ODE	POLYREX EM	T	NONE	NONE	1045 HOT ROLLED (C-204)	CAST IRON
BALL	BALL						
6319	6318						

THERMOSTATS	PROTECTORS	WDG RTD's	BRG RTD's	THERMISTORS	CONTROL	SPACE HEATERS
NONE	NOT	NONE	NONE	NONE	FALSE	NA

R1 (ohms/ph)	R2 (ohms/ph)	X1 (ohms/ph)	X2 (ohms/ph)	Xm (ohms/ph)	VIBRATION (in/sec)	FLOAT
0.006	0.004	0.054	0.087	2.194	0.150	ODE

* N O T E S *	INVERTER TORQUE: NONE INV. HP SPEED RANGE: NONE					
	ENCODER: NONE NONE NONE					
	BRAKE: NONE NONE NONE					
	FT-LB: NA VOLTAGE: NONE					
	UL: NONE					

DATE: 9/4/2018

BRAKE: NONE
NONE
NONE
FT-LB: NA
VOLTAGE: NONE
HZ:
UL: NONE

Data Sheet

Date: 9/4/2018

LM80045



Data @ **400 V**

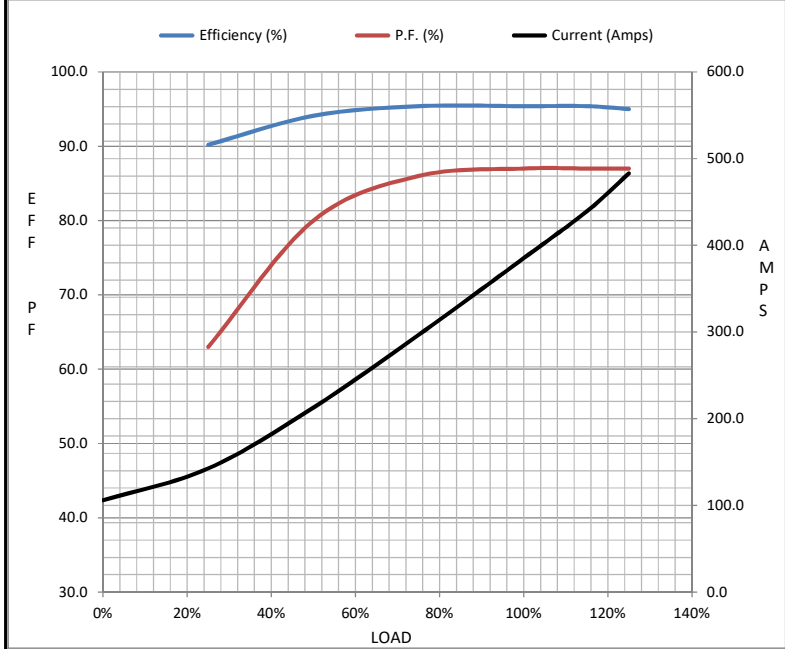
Motor Load Data

Load	0%	25%	50%	75%	100%	115%	125%	LR
Current (Amps)	106	143	213	297	385	439	483	2,473
Torque (ft-lb)	0.00	219	439	660	882	1,015	1,105	1,600
RPM	1800	1796	1794	1790	1788	1,785	1782	0
Efficiency (%)		90.2	94.1	95.4	95.4	95.4	95.0	
P.F. (%)	7.0	63.0	80.0	86.0	87.0	87.0	87.0	28.0

Motor Speed Data

	LR	Pull-Up	BD	Rated	Idle
Speed (RPM)	0	900	1725	1788	1800
Current (Amps)	2,473	2,358	1,323	385	106
Torque (ft-lb)	1,600	1,450	2,100	882	0.00

Information Block				
HP	300.0			
Sync. RPM	1800			
Frame	449			
Enclosure	TEFC			
Construction	TFN			
Voltage	400 V			
Frequency	60 Hz			
Design	A			
LR Code letter	G			
Service Factor	1.15			
Temp Rise @ FL	80 ° C			
Duty	CONT			
Ambient	40 ° C			
Elevation	1,000 feet			
Rotor/Shaft wk ²	92.0 Lb-Ft ²			
Ref Wdg	T4494191 NONE			
Sound Pressure @ 1M	85 dBA			
VFD Rating	NONE			
Outline Dwg	B-SS515635LN-2875			
Conn. Diag	A-EE7300BH-LN			
Additional Specifications:				
0				
0				
EQUIV CKT (OHMS / PHASE)				
R1	R2	X1	X2	Xm
0.0060	0.0040	0.0540	0.0870	2.1940



Speed - Torque Curve

