

PRODUCT INFORMATION PACKET



Model No: LM80020
Catalog No: LM80020

Fire Pump Motor, 350 & 300 HP, 3 Ph, 60 & 50 Hz, 460 & 380 V, 1800 & 1500 RPM, 447/449T Frame, TEFC



Regal and Leeson are trademarks of Regal Rexnord Corporation or one of its affiliated companies.
©2023 Regal Rexnord Corporation, All Rights Reserved. MC017097E



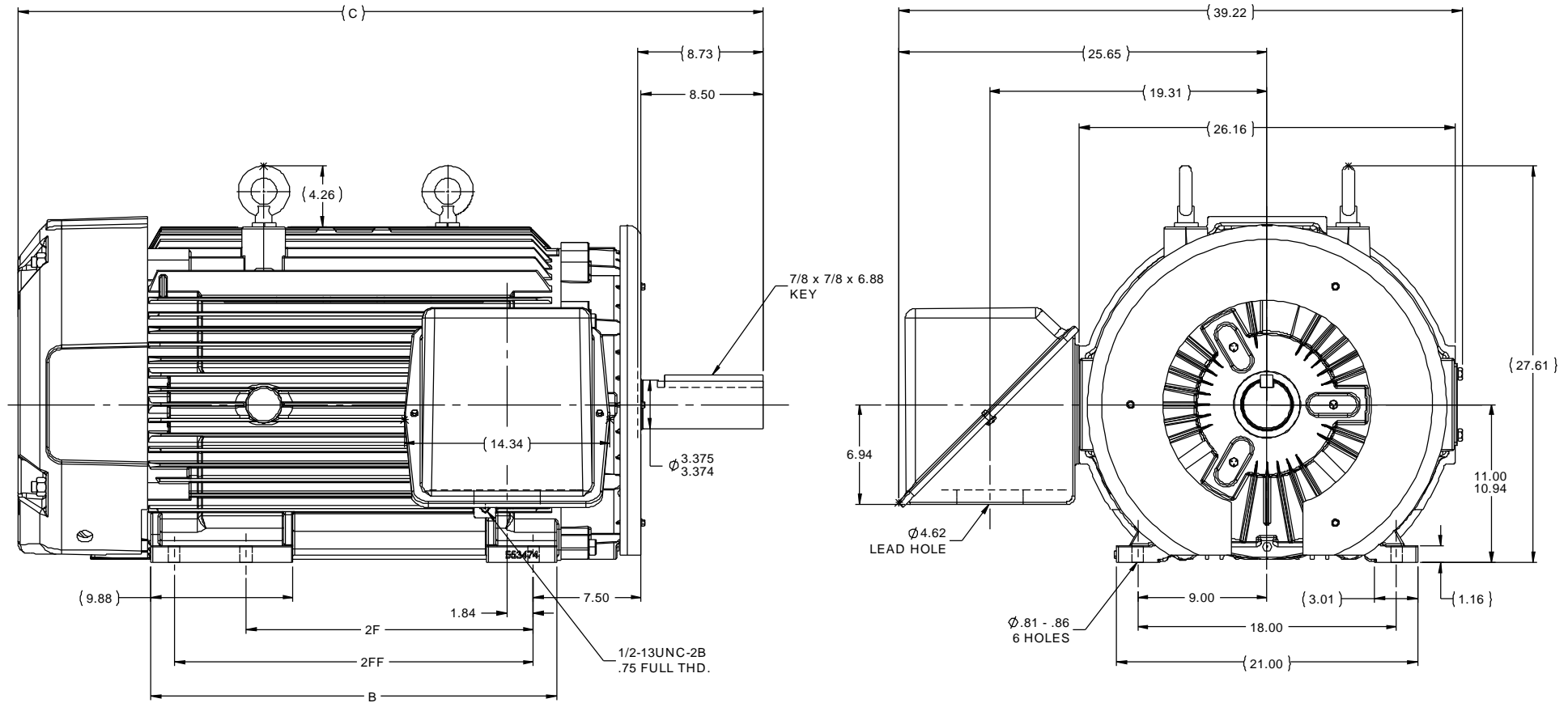


Nameplate Specifications

Phase	3	Output HP	350 & 300 Hp
Output KW	260.0 & 224.0 kW	Voltage	460 & 380 V
Speed	1785 & 1485 rpm	Service Factor	1.15 & 1.0
Frame	447/449T	Enclosure	Totally Enclosed Fan Cooled
Thermal Protection	No Protection	Efficiency	95.4 & 95 %
Ambient Temperature	40 °C	Frequency	60 & 50 Hz
Current	400 & 415 A	Power Factor	86
Duty	Continuous	Insulation Class	F
Design Code	B	KVA Code	G
Drive End Bearing Size	6319	Opp Drive End Bearing Size	6318
UL	No	CSA	Y
CE	Y	IP Code	43
Number of Speeds	1		

Technical Specifications

Electrical Type	Squirrel Cage Induction Run	Starting Method	Wye Start Delta Run
Poles	4	Rotation	Reversible
Resistance Main	.007 Ohms	Mounting	Rigid Base
Motor Orientation	Horizontal	Drive End Bearing	Ball
Opp Drive End Bearing	Ball	Frame Material	Cast Iron
Shaft Type	T	Overall Length	51.85 in
Frame Length	28.75 in	Shaft Diameter	3.375 in
Shaft Extension	8.5 in	Assembly/Box Mounting	F1/F2 CAPABLE
Connection Drawing	A-EE7340-LN	Outline Drawing	B-SS519824LN-2875



- NOTES:
1. C. BOX CAN BE ROTATED IN 90° STEPS.
 2. NAMEPLATES TO BE READ FROM CONDUIT BOX SIDE OF MOTOR.

TOLERANCES UNLESS SPECIFIED		DRAWN		TITLE		DRAWING NO	
DEC	INCHES	CHK	DATE	LANG	FINISH	REV	OF
X	±.1						
XX	±.03						
XXX	±.005						
XXXX	±.0005						
XXXXX	±.00005						
XXXXXX	±.000005						

NO	REVISION	BY & DATE	CHK	LANG	FINISH	PAGE	OF
2	UPDATED MU110616	HV 10-30-2012	MH				
1	NEW DRAWING MU47253	KL 06-30-2003	KL				

DASH	FRAME	B	C	2F	2FF	NO	REVISION	BY & DATE	CHK	LANG	FINISH	PAGE	OF
2875	447T	28.25	51.85	20.00	---								
2875	449T	28.25	51.85	---	25.00								

THIRD ANGLE PROJECTION	NETWORK FILE NAME	SIZE	DRAWING NO	REV
THIRD ANGLE PROJECTION	SS519824LN	B	SS519824LN	2



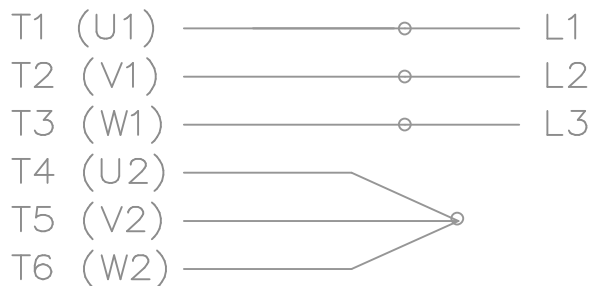
DRAWN KL 06-30-2003
 CHK GFH 06-30-2003
 APPR JES 06-30-2003

SCALE 1:7
 REF B-SS517520
 FMF

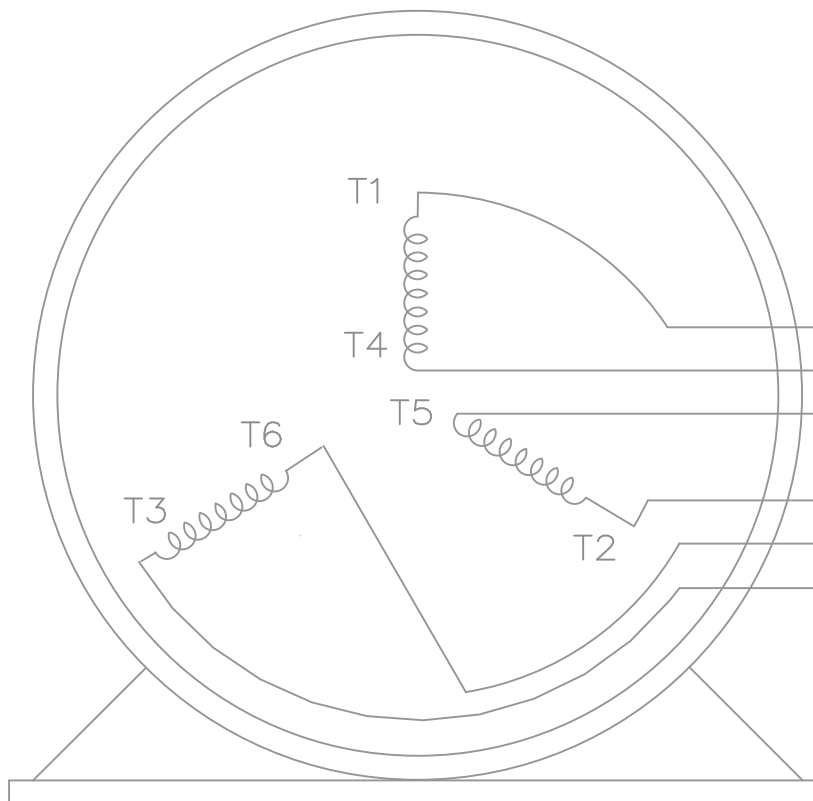
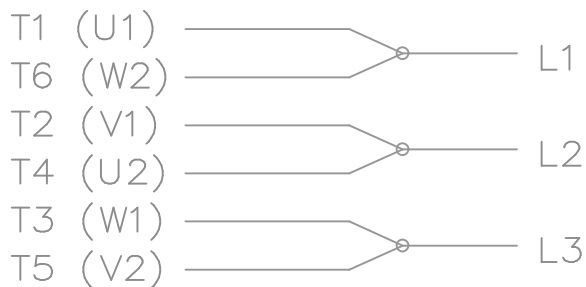
PAGE OF

THREE PHASE – Y START
Δ RUN MOTOR

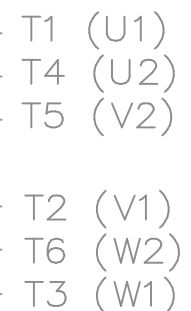
START



RUN




VIEW OF TERMINAL END



T6CK
T6BM
T4CC
T2DL
T4C

NOTE:
IEC LEAD MARKINGS ARE NOTED
IN PARENTHESES

				TOLERANCES UNLESS SPECIFIED			DRAWN BLR 10-04-1999		
				DEC.	INCHES		CHK DRS 10-04-1999		
				.X	±.1		APPD TB 10-04-1999		
3	REVISED TO MATCH M.E. ORIGINAL	TAT 07-25-2005	ML	.XX	±.02	TITLE CONNECTION DIAGRAM 3Ø – WYE START DELTA RUN	SCALE 1=1		
2	REVISED DRAWING MISTAKE CN 29200-2980	ERH 05-15-2003	ML	.XXX	±.005		REF		
1	NEW DRAWING	BLR 10-09-1999		.XXXX	±.0005		FMF		
NO.	REVISION	BY & DATE	CHK	ANG	±7'30"	FINISH	PREV		
THIS DRAWING IN DESIGN AND DETAIL IS OUR PROPERTY AND MUST NOT BE USED EXCEPT IN CONNECTION WITH OUR WORK ALL RIGHTS OF DESIGN AND INVENTION ARE RESERVED THIS IS AN ELECTRONICALLY GENERATED DOCUMENT – DO NOT SCALE THIS PRINT				RFP	CAD FILE ee7340_In		SIZE	DRAWING NO. PAGE OF	REV.
				DIST	WA-LB-SB		A	EE7340-LN	3



CERTIFICATION DATA SHEET

**2100 WASHINGTON ST.
GRAFTON, WI
PH. 262-277-8810**

CONN. DIAGRAM: A-EE7340-LN

OUTLINE: B-SS519824LN-2875

CATALOG # : LM80020

WINDING #: T449436 2

MOUNTING: F1/F2 CAPABLE

TYPICAL MOTOR PERFORMANCE DATA

HP	KW	SYNC. RPM	F.L. RPM	FRAME	ENCLOSURE	KVA CODE	DESIGN
350&300	260&224	1800	1785&1485	447/449T	TEFC	G	B

PH	Hz	VOLTS	AMPS	START TYPE	DUTY	INSL	S.F.	AMB°C
3	60/50	460&380	400&415	WYE START DELTA RUN	CONTINUOUS	F1	1.15/1.0	40

FULL LOAD EFF:	95.4&95	3/4 LOAD EFF:	95.4	1/2 LOAD EFF:	94.5	GTD. EFF	94.5	ELEC. TYPE	SQ CAGE IND RUN
FULL LOAD PF:	86&86	3/4 LOAD PF:	83.5	1/2 LOAD PF:	77	94.5			

F.L. TORQUE	LOCKED ROTOR AMPS	L.R. TORQUE	B.D. TORQUE	F.L. RISE°C
1030 LB-FT	2500	1975 LB-FT 192 %	2550 LB-FT 248 %	80

SOUND PRESSURE @ 3 FT.	SOUND POWER	ROTOR WK^2	MAX. WK^2	SAFE STALL TIME	STARTS / HOUR	APPROX. MOTOR WGT
85 dBA	95 dBA	95 LB-FT^2	2225 LB-FT^2	25 SEC.	1	3050 LBS.

***** SUPPLEMENTAL INFORMATION *****

DE BRACKET TYPE	ODE BRACKET TYPE	MOUNT TYPE	ORIENTATION	SEVERE DUTY	HAZARDOUS LOCATION	DRIP COVER	SCREENS	PAINT
STANDARD	STANDARD	RIGID	HORIZONTAL	FALSE	NONE	FALSE	NONE	RED (ENAMEL)

BEARINGS		GREASE	SHAFT TYPE	SPECIAL DE	SPECIAL ODE	SHAFT MATERIAL	FRAME MATERIAL
DE	ODE	POLYREX EM	T	NONE	NONE	1045 HOT ROLLED (C-204)	CAST IRON
BALL	BALL						
6319	6318						

THERMO-PROTECTORS				THERMISTORS	CONTROL	SPACE HEATERS
THERMOSTATS	PROTECTORS	WDG RTDs	BRG RTDs	NONE	FALSE	NONE VOLTS
NONE	NOT	NONE	NONE			

*
N
O
T
E
S
*

INVERTER TORQUE: NONE
INV. HP SPEED RANGE: NONE
ENCODER: NONE
NONE NONE
NONE NONE PPR
BRAKE: NONE NONE
NONE P/N NONE
NONE NONE
NONE FT-LB NONE V NONE Hz

Data Sheet

Date: 1/18/2018

LM80020



Data @ **460 V**

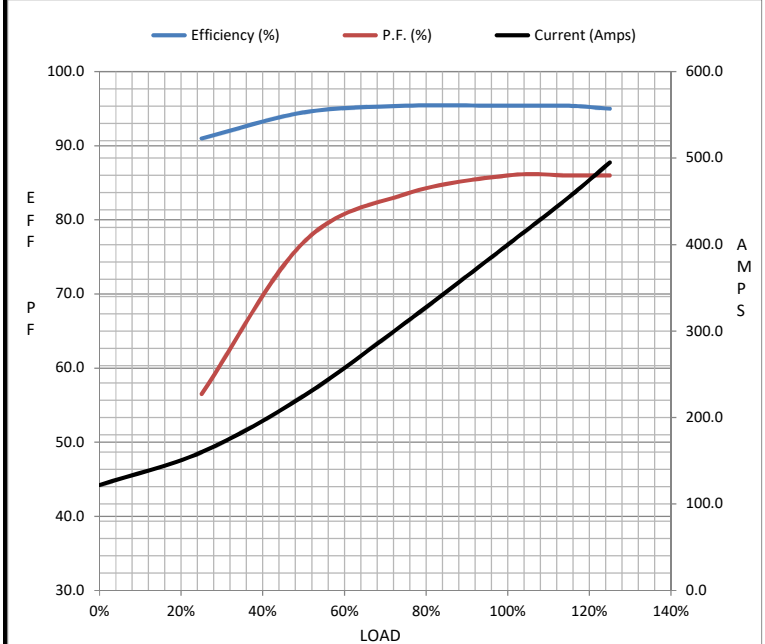
Motor Load Data

Load	0%	25%	50%	75%	100%	115%	125%	LR
Current (Amps)	122	160	225	310	400	455	495	2,500
Torque (ft-lb)	0.00	256	512	770	1,030	1,185	1,289	1,975
RPM	1800	1795	1792	1790	1785	1,784	1782	0
Efficiency (%)		91.0	94.5	95.4	95.4	95.4	95.0	
P.F. (%)	6.0	56.5	77.0	83.5	86.0	86.0	86.0	30.0

Motor Speed Data

	LR	Pull-Up	BD	Rated	Idle
Speed (RPM)	0	900	1735	1785	1800
Current (Amps)	2,500	2,450	1,650	400	122
Torque (ft-lb)	1,975	1,800	2,550	1,030	0.00

Information Block				
HP	350.0			
Sync. RPM	1800			
Frame	449			
Enclosure	TEFC			
Construction	TFN			
Voltage	460#380 V			
Frequency	60 Hz			
Design	A			
LR Code letter	G			
Service Factor	1.15			
Temp Rise @ FL	80 °C			
Duty	CONT			
Ambient	40 °C			
Elevation	1,000 feet			
Rotor/Shaft wk ²	95.0 Lb-Ft ²			
Ref Wdg	T449436 NONE			
Sound Pressure @ 1M	85 dBA			
VFD Rating	NONE			
Outline Dwg	B-SS519824LN-2875			
Conn. Diag	A-EE7340-LN			
Additional Specifications:				
0				
0				
EQUIV CKT (OHMS / PHASE)				
R1	R2	X1	X2	Xm
0.0050	0.0050	0.0650	0.0970	2.1570



Speed - Torque Curve

