

PRODUCT INFORMATION PACKET



Model No: LM60050
Catalog No: LM60050

OBSOLETE - REPLACED BY 199028.00 - 40/30,1800/1500,TEFC,324T,3/60/50/208-230/460-190/380

Regal and Leeson are trademarks of Regal Rexnord Corporation or one of its affiliated companies.
©2023 Regal Rexnord Corporation, All Rights Reserved. MC017097E





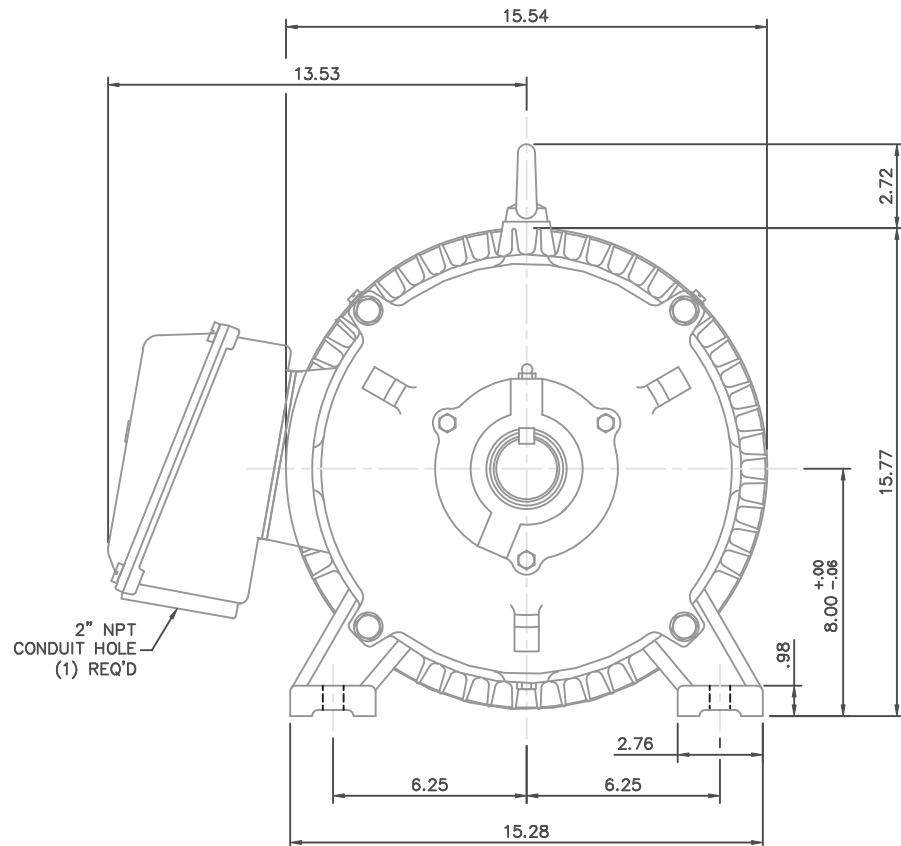
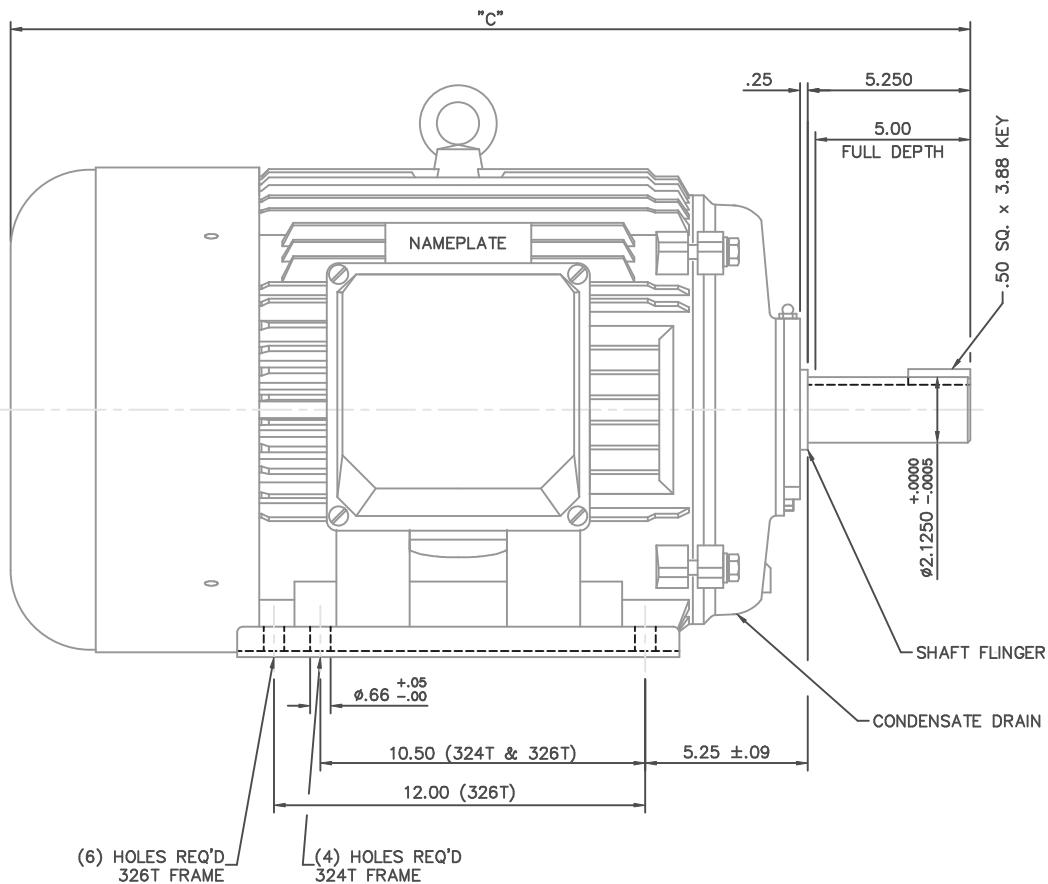
Nameplate Specifications

Phase	3	Output HP	40 & 30 Hp
Output KW	30.0 & 22.4 kW	Voltage	208-230/460 & 190/380 V
Speed	1780 & 1481 rpm	Service Factor	1.15 & 1.15
Frame	324T	Enclosure	Totally Enclosed Fan Cooled
Thermal Protection	No Protection	Efficiency	94.1 & 93.6 %
Ambient Temperature	40 °C	Frequency	60 & 50 Hz
Current	99-92/46 & 84/42 A	Power Factor	86
Duty	Continuous	Insulation Class	F
Design Code	B	KVA Code	G
Drive End Bearing Size	6312	Opp Drive End Bearing Size	6312
UL	Recognized	CSA	Y
CE	Y	IP Code	43
Number of Speeds	1		

Technical Specifications

Electrical Type	Squirrel Cage Induction Run	Starting Method	Wye Start Delta Run
Poles	4	Rotation	Reversible
Resistance Main	.042 Ohms	Mounting	Rigid Base
Motor Orientation	Horizontal	Drive End Bearing	Ball
Opp Drive End Bearing	Ball	Frame Material	Cast Iron
Shaft Type	T	Assembly/Box Mounting	F1/F2 CAPABLE
Outline Drawing	16954160LN	Connection Drawing	004172.03LN


This is an uncontrolled document once printed or downloaded and is subject to change without notice. Date Created:06/22/2023



FRAME DESIGN	"C"
324T	29.53
326T	31.02

(6) HOLES REQ'D
326T FRAME

(4) HOLES REQ'D
324T FRAME

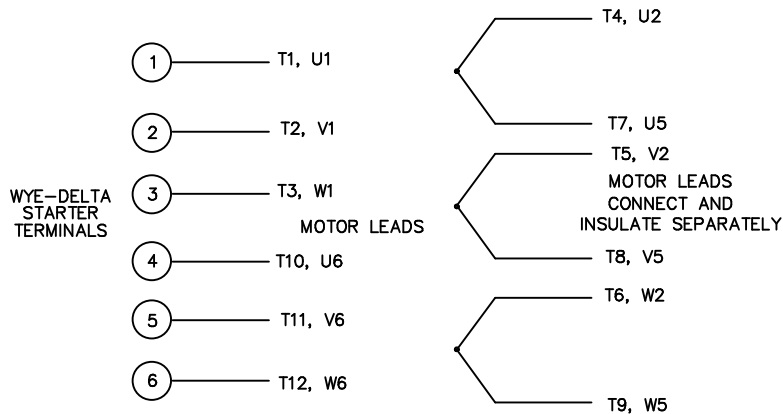
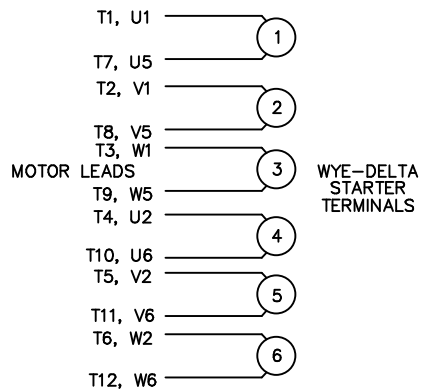
		TOLERANCES UNLESS SPECIFIED			DRAWN JJK 03/29/99 CHK APPD PG 03/31/99
		DEC.	INCHES		TITLE OUTLINE - 320T FRAME TEFC - RIGID SCALE 1=4 REF 169504 FMF PREV
		.X	±.1	MAT'L CAST IRON FINISH	RFP CAD FILE 16954160LN DIST
		.XX	±.03		
		.XXX	±.005		
01	ADDED HOLE FOR 326T BASE	JJK	07/13/99	RFP CAD FILE 16954160LN DIST	SIZE B DRAWING NO. 169541-60LN REV. 01
NO.	REVISION	BY & DATE	CHK ANG	±1/2"	

THIS DRAWING IN DESIGN AND DETAIL IS OUR PROPERTY AND MUST NOT BE USED EXCEPT IN CONNECTION WITH OUR WORK ALL RIGHTS OF DESIGN AND INVENTION ARE RESERVED THIS IS AN ELECTRONICALLY GENERATED DOCUMENT - DO NOT SCALE THIS PRINT

WYE - DELTA STARTING USEABLE ON 2,4 AND 6 POLE MOTORS.

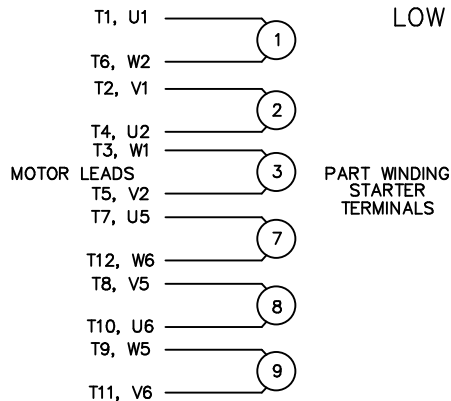
LOW VOLTAGE CONNECTION

HIGH VOLTAGE CONNECTION



REFER TO THE WYE-DELTA STARTER CONNECTION INSTRUCTIONS FOR PROPER CONNECTION OF POWER LINES TO STARTER.

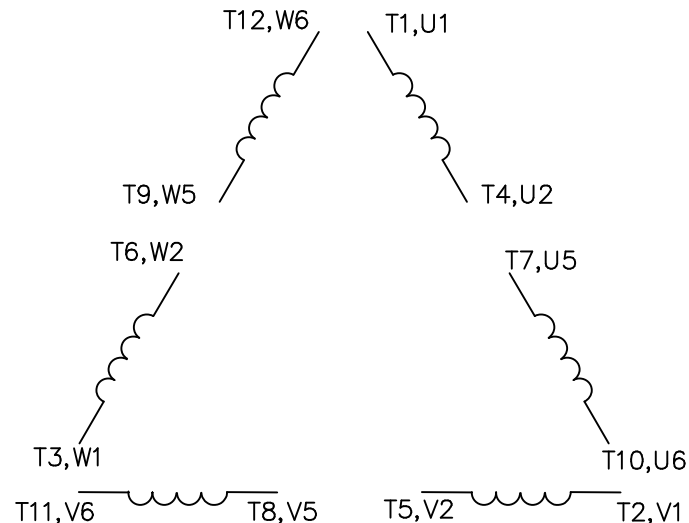
PART WINDING START USABLE ON 4 & 6 POLE MOTORS
LOW VOLTAGE CONNECTION ONLY



REFER TO THE PART WINDING STARTER INSTRUCTIONS FOR PROPER CONNECTION OF POWER LINES TO STARTER.

REFER TO THE CUTLER - HAMMER OR EQUIV. FOR PROPER SELECTION OF OVERLOAD HEATER COILS.

LINE LEADS

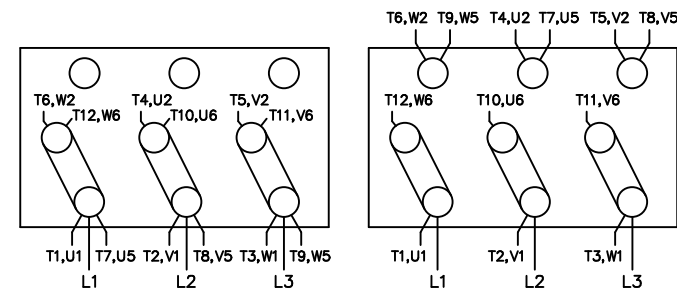


ROTATION CAN BE REVERSED BY INTERCHANGING ANY TWO LINE LEADS

12 LEAD DELTA CONNECTION ACROSS THE LINE START (FOR Y START DELTA RUN, REMOVE THE JUMPERS)

LOW VOLTAGE (MUST BE REWIRED AS SHOWN)

HIGH VOLTAGE (FACTORY WIRED FOR HIGH VOLTAGE AS SHOWN)



TOLERANCES UNLESS SPECIFIED

DEC. INCHES

.X ±.1

.XX ±.02

.XXX ±.005

.XXXX ±.0005

ANG ±7'30"



DRAWN RJW 09-12-2005

CHK ML 09-12-2005

APPD GK 09-12-2005

TITLE DELTA - WYE CONNECTION DIAGRAM
IEC CAST IRON MOTORS

SCALE

REF

FMF

PREV

NO.	REVISION	BY & DATE	CHK	ANG	FINISH
-----	----------	-----------	-----	-----	--------

RFP 09-12-2005

CAD FILE 00417203LN

SIZE DRAWING NO. PAGE OF REV.

DIST WA-PR

A 004172-03-LN