

PRODUCT INFORMATION PACKET

Model No: LM34490

Catalog No: LM34490

LM34490..150HP..1800RPM.444TSC.DP.460V.3PH.60HZ.CONT.40C.1.25SF.RIGID.....

Regal and are trademarks of Regal Rexnord Corporation or one of its affiliated companies.
©2022 Regal Rexnord Corporation, All Rights Reserved. MC017097E



Nameplate Specifications

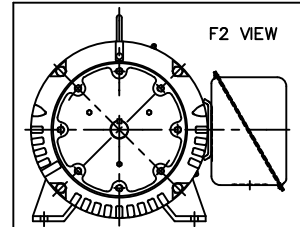
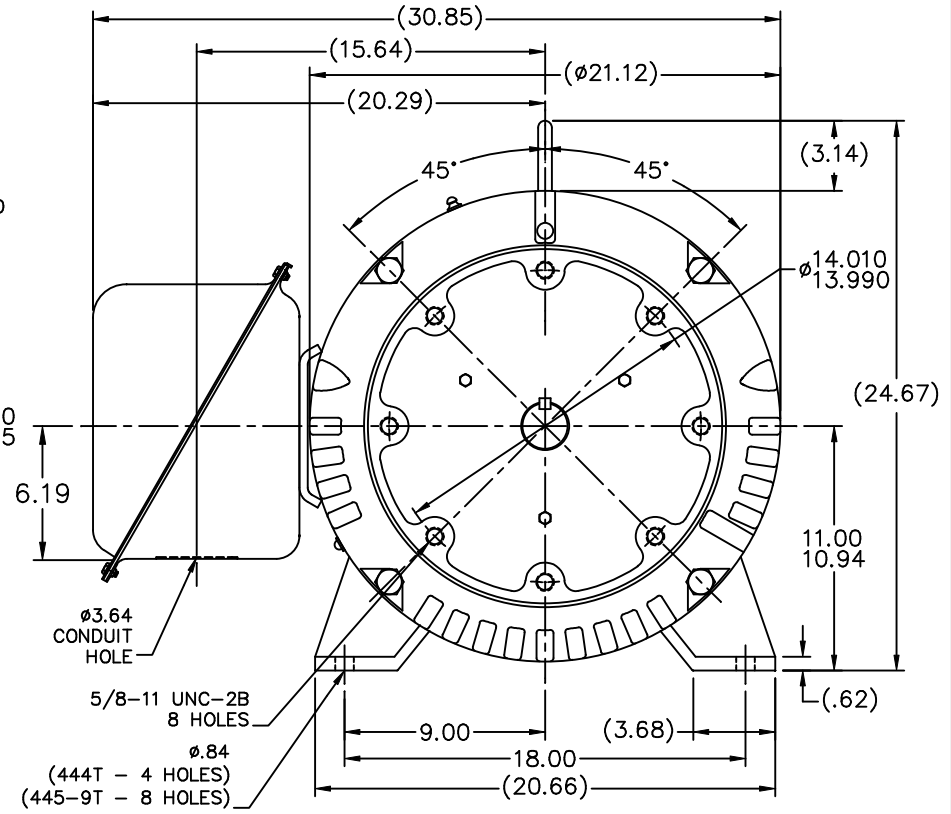
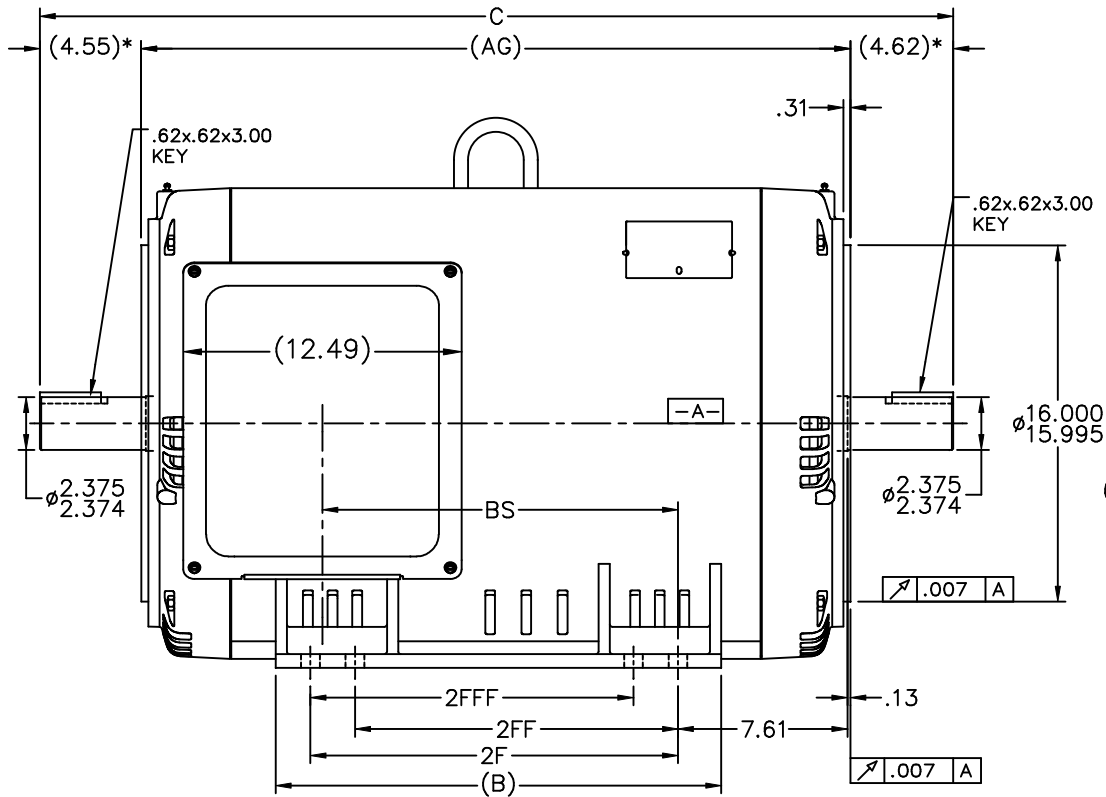
Output HP	150 Hp	Output KW	112.0 kW
Frequency	60 Hz	Voltage	460 V
Current	170.0 A	Speed	1788 rpm
Service Factor	1.25	Phase	3
Efficiency	95.8 %	Power Factor	86
Duty	Continuous	Insulation Class	F
Design Code	BC	KVA Code	G
Frame	444TSC	Enclosure	Drip Proof
Thermal Protection	No Protection	Ambient Temperature	40 °C
Drive End Bearing Size	6318	Opp Drive End Bearing Size	6315
UL	Recognized	CSA	Y
CE	Y	IP Code	22
Number of Speeds	1		

Technical Specifications

Electrical Type	Squirrel Cage Induction Run	Starting Method	Part Wdg Start & Wye Start Delta Run
Poles	4	Rotation	Reversible
Resistance Main	.026 Ohms	Mounting	Rigid Base
Motor Orientation	Horizontal	Drive End Bearing	Ball
Opp Drive End Bearing	Ball	Frame Material	Rolled Steel
Shaft Type	TS BOTH ENDS	Shaft Diameter	2.375 in
Assembly/Box Mounting	F1/F2 CAPABLE		
Outline Drawing	XK2D1CC4-2127	Connection Drawing	A-EE7300BH-LN

This is an uncontrolled document once printed or downloaded and is subject to change without notice. Date Created:11/10/2022

XK2D1CC4



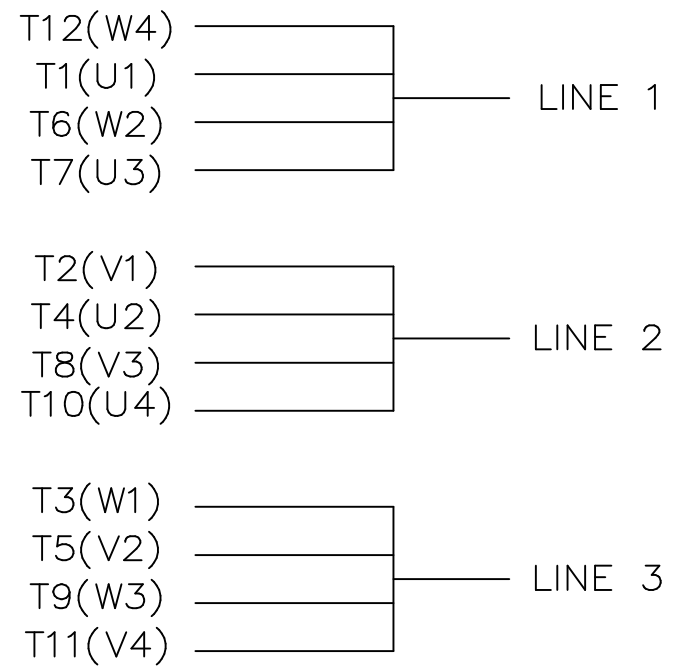
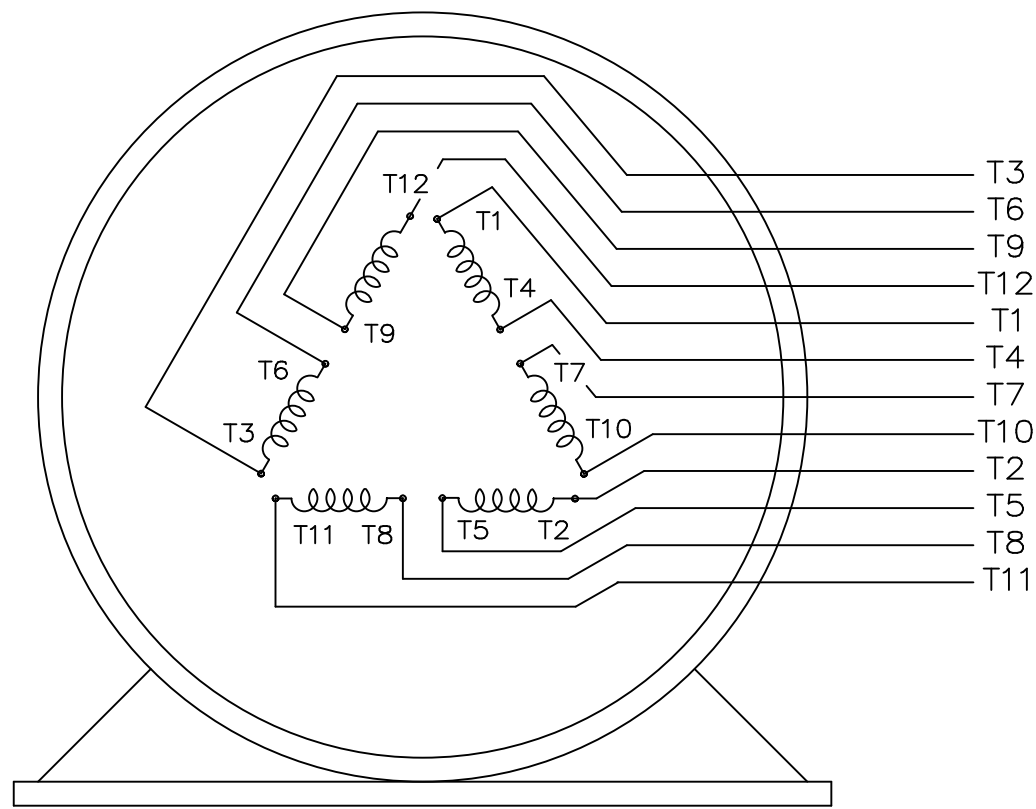
C'FACE DIMENSIONS TYPICAL BOTH ENDS

NOTES:


1. CONDUIT BOX CAN BE ROTATED IN 90° STEPS.
2. NAMEPLATES TO BE READ FROM CONDUIT BOX SIDE OF MOTOR.
3. * DIMENSIONS MAY DEVIATE FROM NEMA STANDARD

DASH	FRAME	C	AG	B	2F	2FF	2FFF	BS
2127	444TSC	39.00	29.83	18.00	14.50	---	---	13.96
2327	445TSC	41.00	31.83	20.00	16.50	14.50	14.50	15.96
2677	447TSC	44.50	35.33	23.50	20.00	16.50	16.50	19.46
3177	449TSC	49.50	40.33	28.50	25.00	20.00	20.00	23.71

		TOLERANCES UNLESS SPECIFIED		Lincoln MOTOR		DRAWN CTO 04-30-2003	
		DEC.	INCHES			CHK	DRS 04-30-2003
		.X	±.1			APPD	HNH 04-30-2003
		.XX	±.03	TITLE OUTLINE NEMA MOTOR		SCALE .18=1	
2 CORRECTED TABLE TO SAY -TSC AND REISSUED		CTO 03-15-2004	TB .XXX ±.005	440TSC ODP UE DBL EXT SHAFT C'FACE		REF	
1 NEW DRAWING		MU46431	CTO 04-30-2003	HNH .XXXX ±.0005	MATL		FMF
NO.	REVISION	BY & DATE	CHK	ANG	FINISH	PREV	
THIS DRAWING IN DESIGN AND DETAIL IS OUR PROPERTY AND MUST NOT BE USED EXCEPT IN CONNECTION WITH OUR WORK ALL RIGHTS OF DESIGN AND INVENTION ARE RESERVED THIS IS AN ELECTRONICALLY GENERATED DOCUMENT - DO NOT SCALE THIS PRINT			RFP	±7'30"	CAD FILE xk2d1cc4	SIZE	DRAWING NO. PAGE OF REV.
			DIST	WA-BY		B	XK2D1CC4 2



VIEW OF TERMINAL END

				TOLERANCES UNLESS SPECIFIED			DRAWN KL 04-23-2002		
				DEC.	INCHES		CHK DJK 04-24-2002		
				.X	±.1		APPD EAB 04-24-2002		
				.XX	±.01		SCALE 1=1		
2	ADDED IEC TERMINAL MARKINGS CN 41429	JJB 05/24/2004	ML	.XXX	±.005	TITLE CONNECTION DIAGRAM – EXTERNAL 12 LEAD – SINGLE VOLTAGE		REF	
1	NEW DRAWING MU41562	KL 04-12-02		.XXXX	±.0005			MAT'L.	FMF
NO.	REVISION	BY & DATE	CHK	ANG	±1/2"	FINISH	PREV		
THIS DRAWING IN DESIGN AND DETAIL IS OUR PROPERTY AND MUST NOT BE USED EXCEPT IN CONNECTION WITH OUR WORK ALL RIGHTS OF DESIGN AND INVENTION ARE RESERVED THIS IS AN ELECTRONICALLY GENERATED DOCUMENT – DO NOT SCALE THIS PRINT				RFP	CAD FILE	ee7300bh_ln	SIZE	DRAWING NO. PAGE OF	REV.
				DIST	WA-SB		A	EE7300BH-LN 2	2

EC Declaration of Conformity

The undersigned representing
the manufacturer:

Regal Beloit America
100 East Randolph St.
Wausau, WI 54401

and the authorized representative
established within the Community:

Marathon Electric UK
6F Thistleton Road Ind. Estate
Market Overton
Oakham, Rutland LE15 7PP UK

are committed to providing customers with products that comply with applicable regulations and international protocols to which they are subject, including the requirements of the European Parliament Directive on the Harmonization of the laws relating to electrical equipment designed for use within certain voltage limits (2014/35/EU).

Regal Beloit America declares that the following product(s), to which this declaration relates, are in conformity with the relevant sections of the EC standards listed below.

This statement supersedes any statements previously issued pertaining to the product(s) listed below and is subject to change without notice.

Model No : LM34490

(Model No. may contain prefix and/or suffix characters)

Catalog No : LM34490

Rework No : N/A

Directives :

Low Voltage Directive 2014/35/EU

Harmonized Standards Used :

EN 60034-1: 2010 (IEC 60034-1: 2010)

EN 60034-5: 2001/A1:2007 (IEC 60034-5: 2000/A1:2006)

Authorized Representative:



Michael A. Logsdon
Vice President, Technology

Authorized Representative in the Community:



Julian Clark
Marketing Engineer

Created on 09/01/2022

CE 22